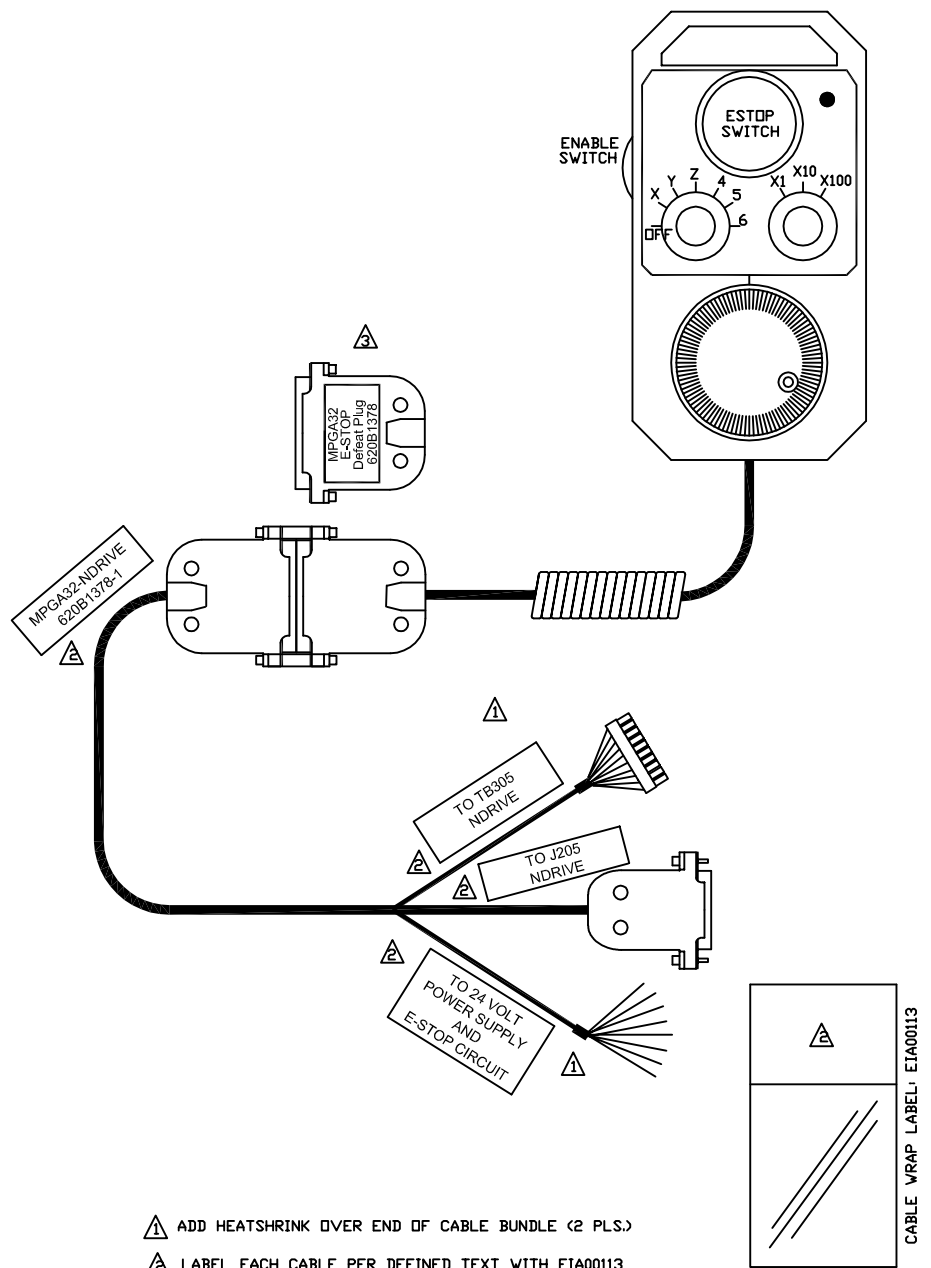
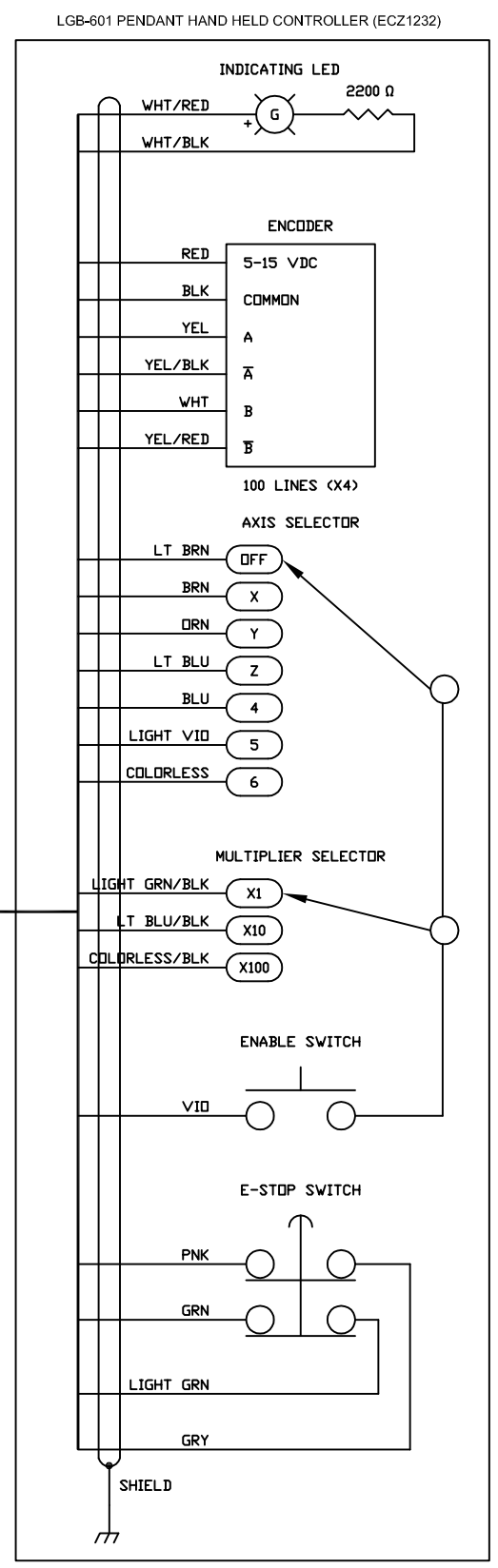
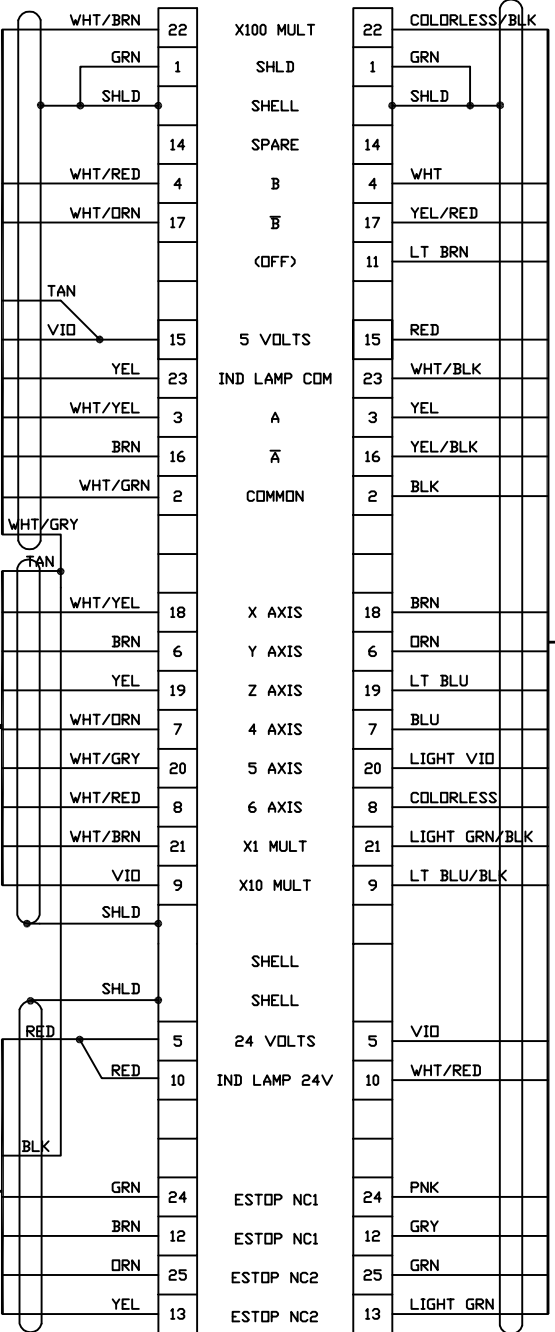
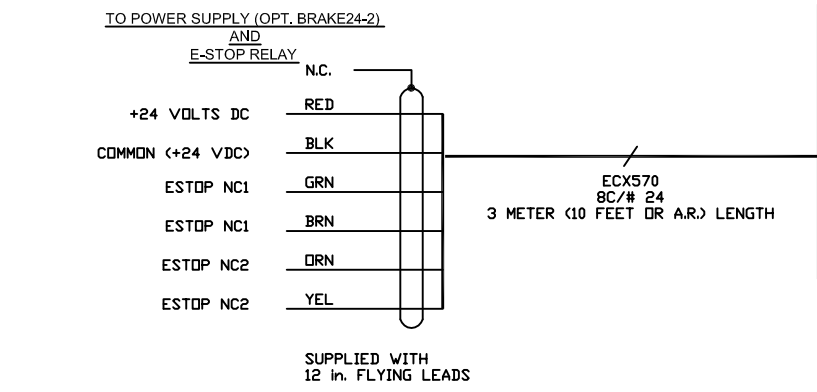
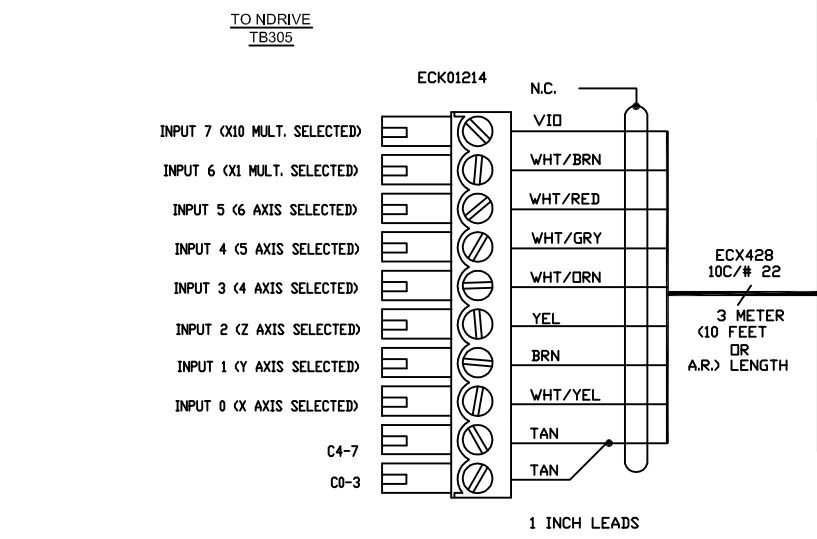
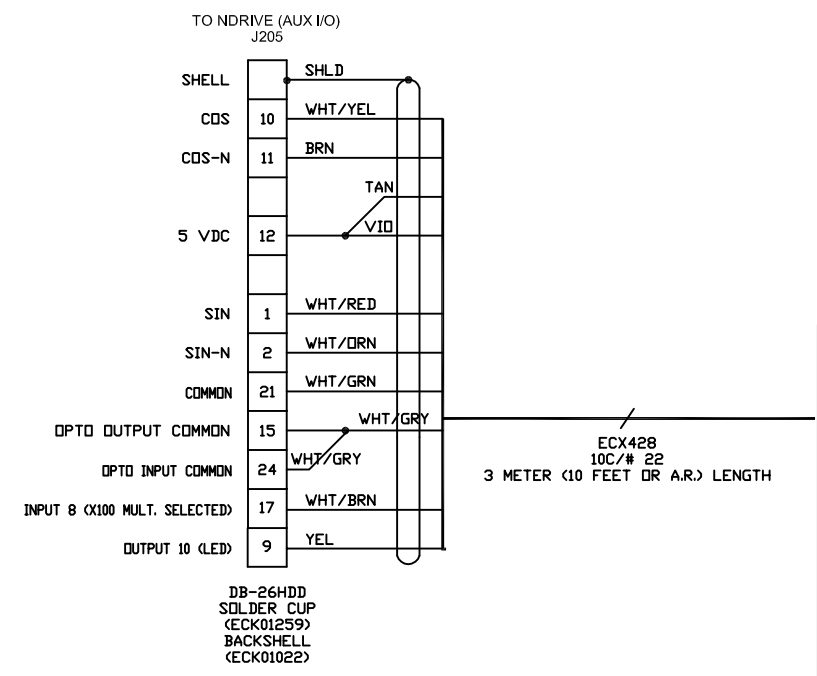
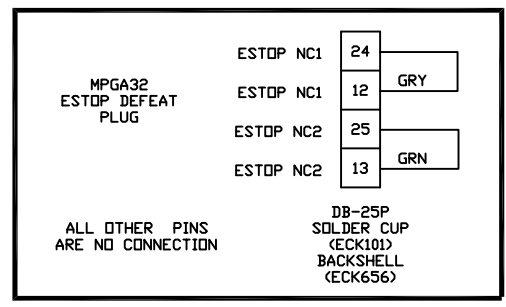


REVISIONS				
SYN.	ZONE	DESCRIPTION	DATE	APPROVAL



- ▲ ADD HEATSHRINK OVER END OF CABLE BUNDLE (2 PLS.)
- ▲ LABEL EACH CABLE PER DEFINED TEXT WITH EIA00113
- ▲ LABEL CONNECTOR WITH EIA01195

CUSTOMER NAME:
ORDER NUMBER:
APPROVED BY:
RELEASE DATE: CUST FILE NAME:

PROPRIETARY INFORMATION THIS DRAWING IS THE PROPERTY OF AEROTECH, INC. AND IS SUBMITTED IN CONFIDENCE AND SHALL NOT BE REPRODUCED NOR COPIED NOR DISCLOSED TO OTHERS UNDER PENALTY OF LAW.		AEROTECH, INC. 101 Zeta Drive Pittsburgh, PA, 15238 (412)963-7470 TWX710-795-3125	
TOLERANCES ON FRACTIONS DECIMALS ANGLES 0 TO 6 ± 1/32 .XX ± .01 ± 0-30° OVER 6 ± 1/16 .XXX ± .005		MPGA32-NDRIVE PENDANT HANDHELD CONTROLLER INTERFACE	
RMS FINISH	EXCEPT AS NOTED	PART CODE	SIZE
DRAWN	JFM	3/31/2005	D 620D1378-1
CHECKED	AGS	4/1/2005	REV. -
APPD.	AGS	4/1/2005	SCALE NTS FILE NAME 620D1378-101.DWG SHEET 1 of 1