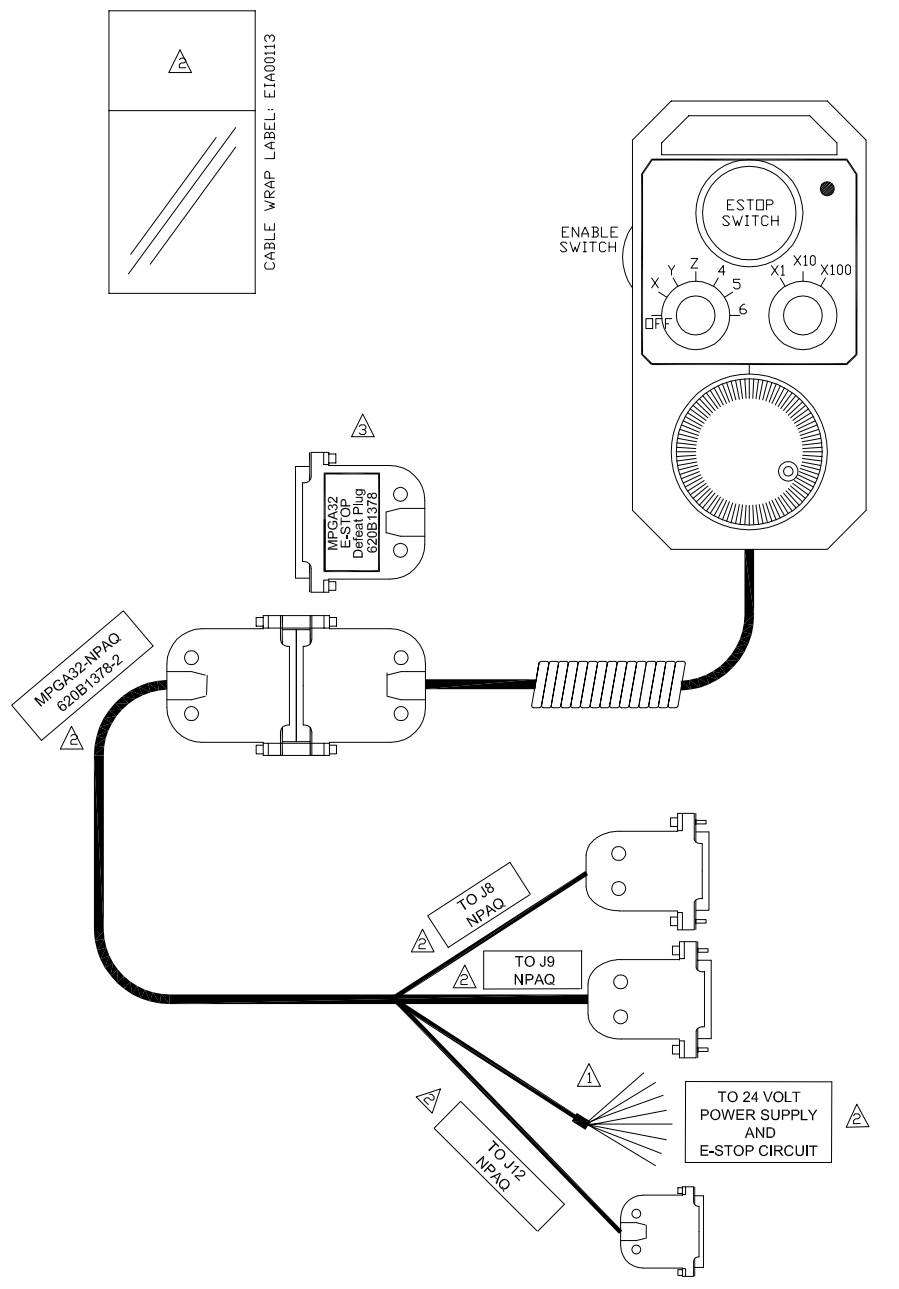
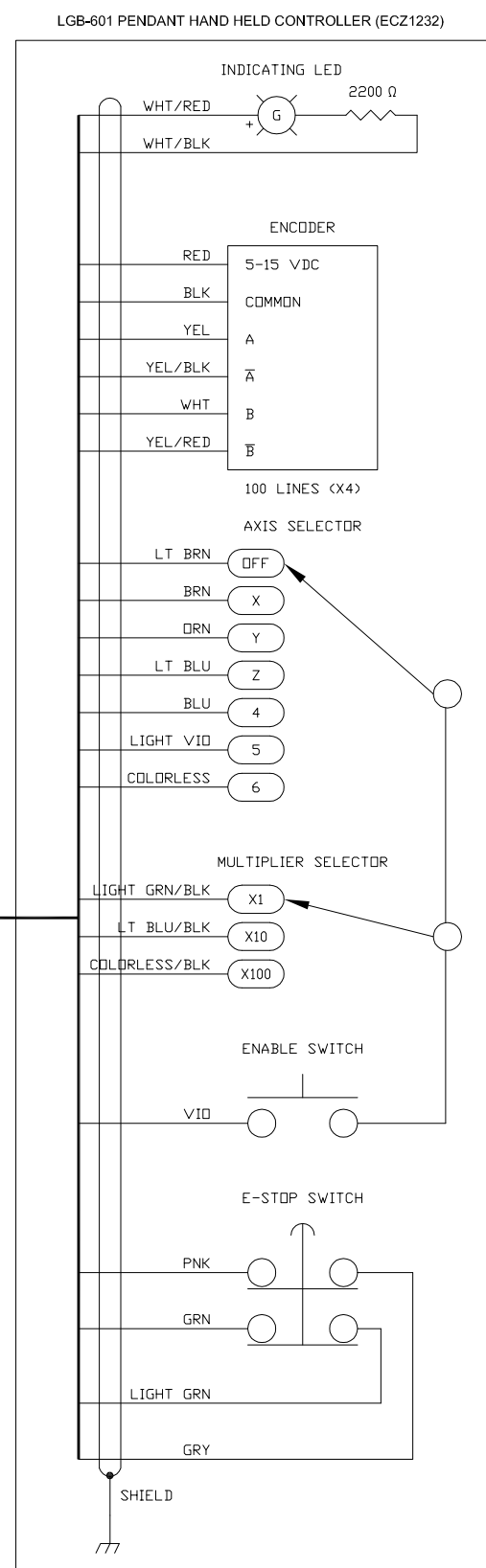
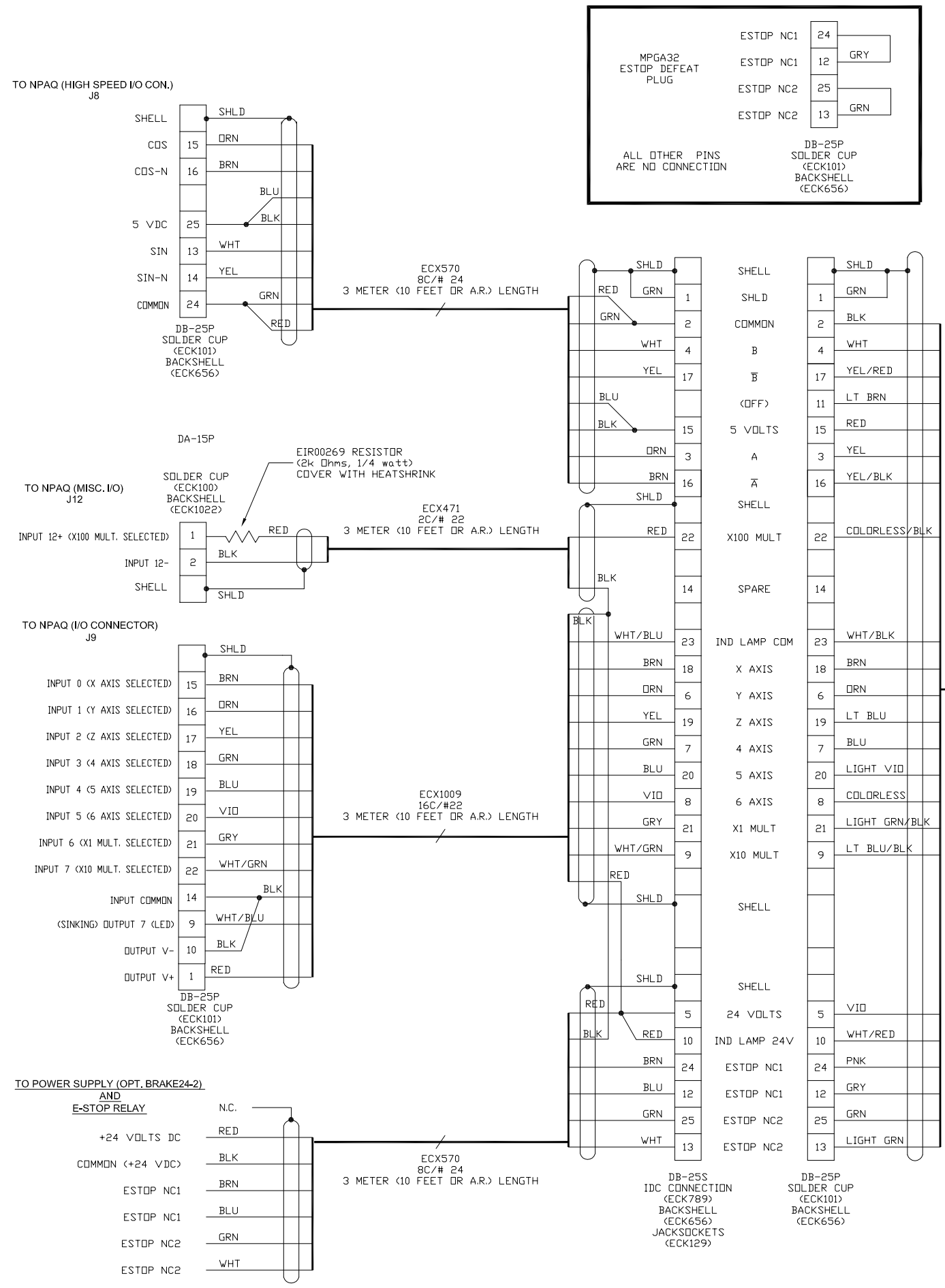


REVISIONS				
REV.	ZONE	DESCRIPTION	DATE	DRAWN
B		ADDED RESISTOR TO P12, ECN10245	7/1/08	RWR



- ⚠ ADD HEATSHRINK OVER END OF CABLE BUNDLE
- ⚠ LABEL EACH CABLE PER DEFINED TEXT WITH EIA00113
- ⚠ LABEL CONNECTOR WITH EIA01195

PROPRIETARY INFORMATION THIS DRAWING IS THE PROPERTY OF AEROTECH, INC. AND IS SUBMITTED IN CONFIDENCE AND SHALL NOT BE REPRODUCED NOR COPIED NOR DISCLOSED TO OTHERS UNDER PENALTY OF LAW.

AEROTECH © AEROTECH, INC. 101 Zeta Drive Pittsburgh, PA. 15238 (412)963-7470 TWX710-795-3125

TOLERANCES ON FRACTIONS DECIMALS ANGLES  
 0 TO 6 ± 1/32 .XX ± .01 ± 0-30'  
 OVER 6 ± 1/16 .XXX ± .005

RMS FINISH EXCEPT AS NOTED

DRAWN JFM 3/31/2005 PART CODE SIZE D 620D1378-2 REV. B

CHECKED AGS 4/1/2005

APPD. AGS 4/1/2005 SCALE NTS FILE NAME 620D1378-2B1.DWG SHEET 1 of 1