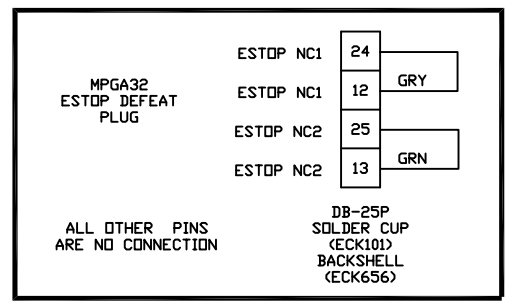
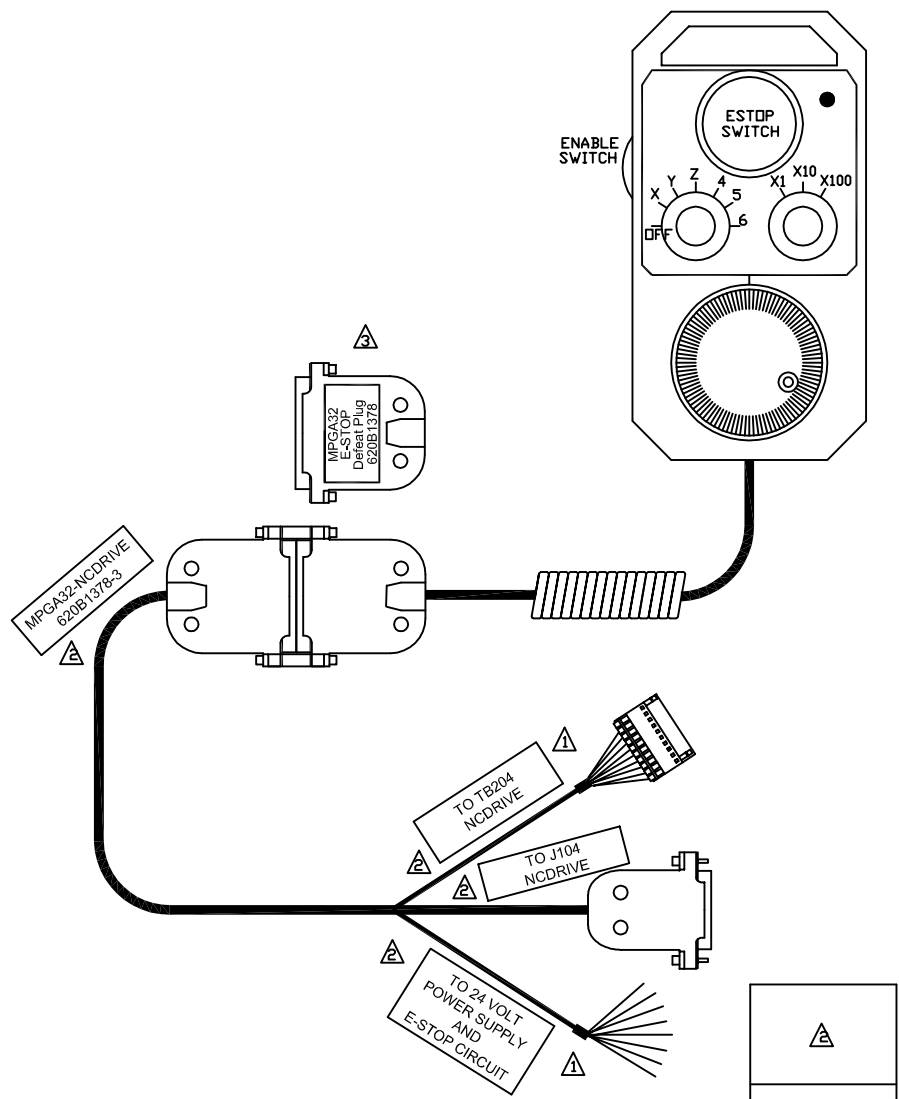
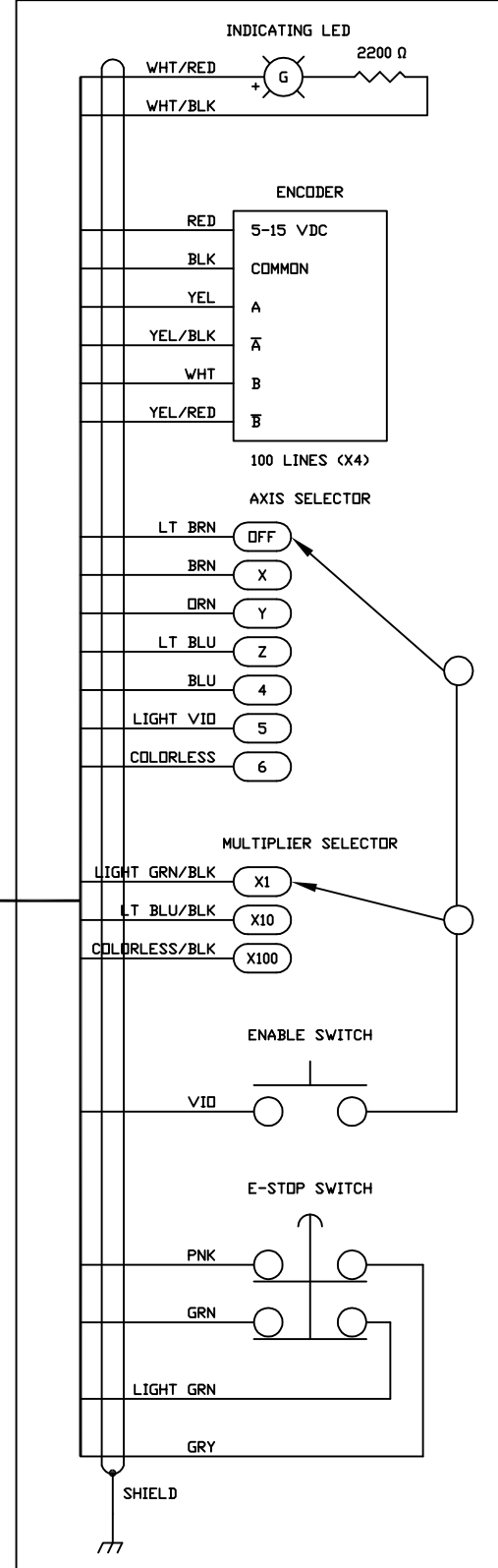


REVISIONS				
SYN.	ZONE	DESCRIPTION	DATE	APPROVAL



LGB-601 PENDANT HAND HELD CONTROLLER (ECZ1232)

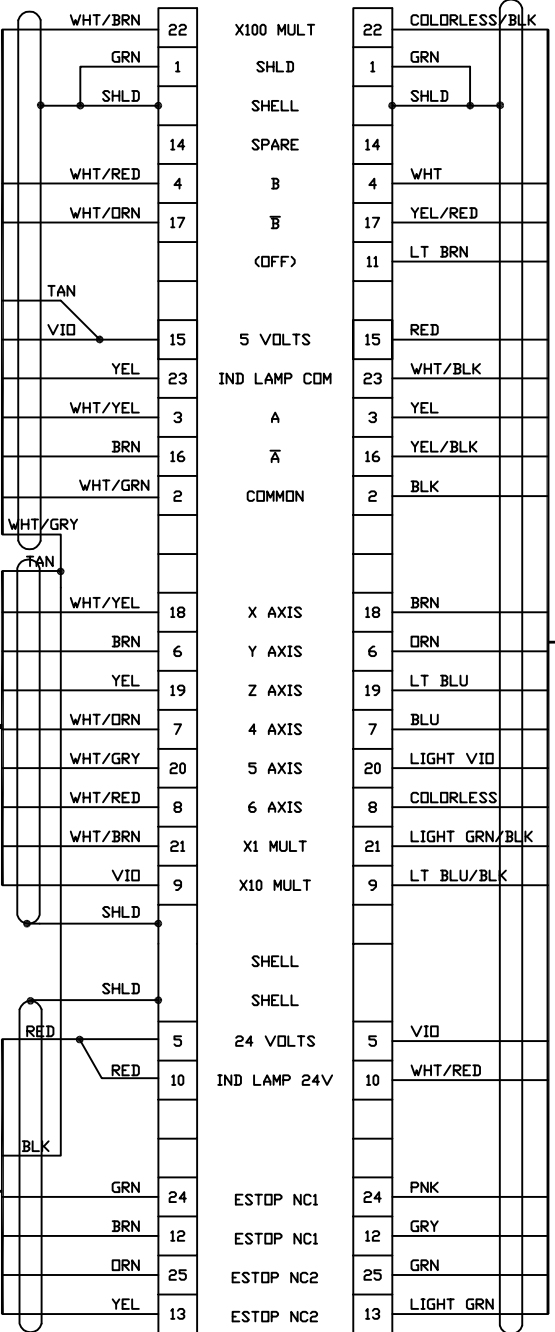
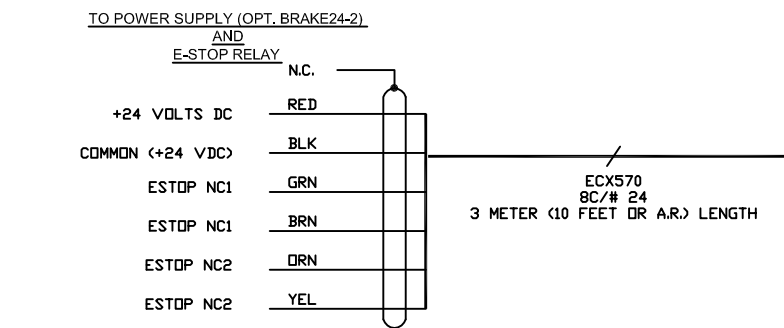
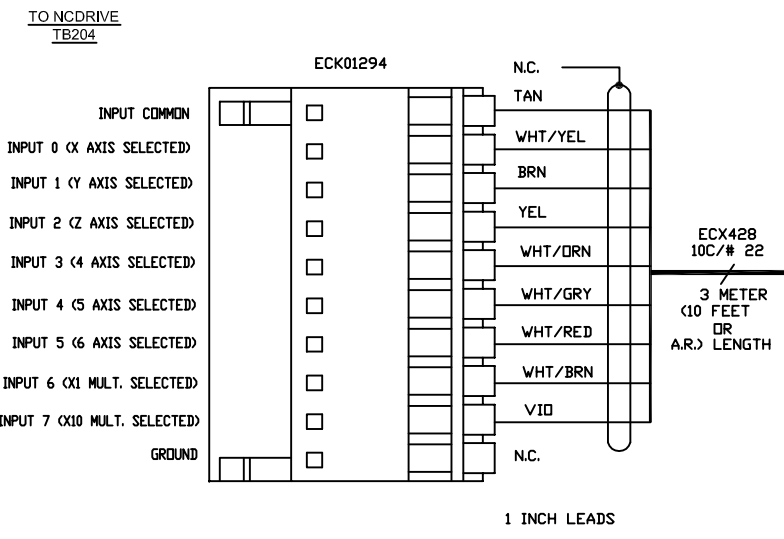
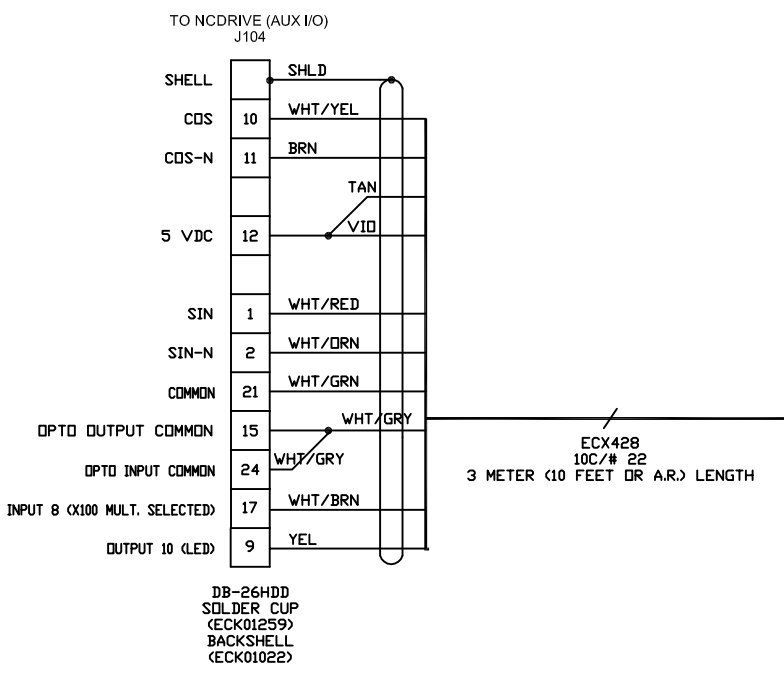


- ▲ ADD HEATSHRINK OVER END OF CABLE BUNDLE (2 PLS.)
- ▲ LABEL EACH CABLE PER DEFINED TEXT WITH EIA00113
- ▲ LABEL CONNECTOR WITH EIA01195

CUSTOMER NAME:
 ORDER NUMBER:
 APPROVED BY:
 RELEASE DATE: CUST FILE NAME:

PROPRIETARY INFORMATION THIS DRAWING IS THE PROPERTY OF AEROTECH, INC. AND IS SUBMITTED IN CONFIDENCE AND SHALL NOT BE REPRODUCED NOR COPIED NOR DISCLOSED TO OTHERS UNDER PENALTY OF LAW.			
TOLERANCES ON FRACTIONS DECIMALS ANGLES 0 TO 6 ± 1/32 .XX ± .01 ± 0-30° OVER 6 ± 1/16 .XXX ± .005		AEROTECH AEROTECH, INC. 101 Zeta Drive Pittsburg, PA, 15238 (412)963-7470 TWX710-795-3125	
MPGA32-NCDRIVE PENDANT HANDHELD CONTROLLER INTERFACE			
DRAWN	JFM	PART CODE	SIZE
CHECKED	AGS	-	D
APPD.	AGS	FILE NAME	SHEET
3/31/2005	4/1/2005	620D1378-301.DWG	1 of 1

RMS FINISH EXCEPT AS NOTED	DRAWN JFM 3/31/2005	CHECKED AGS 4/1/2005	APPD. AGS 4/1/2005	PART CODE -	SIZE D	ORDER NUMBER 620D1378-3	REV. -
-------------------------------	---------------------------	----------------------------	--------------------------	----------------	-----------	----------------------------	-----------



DB-25S IDC CONNECTION (ECK789) BACKSHELL (ECK656) JACKSOCKETS (ECK129)
 DB-25P SOLDER CUP (ECK101) BACKSHELL (ECK656)

