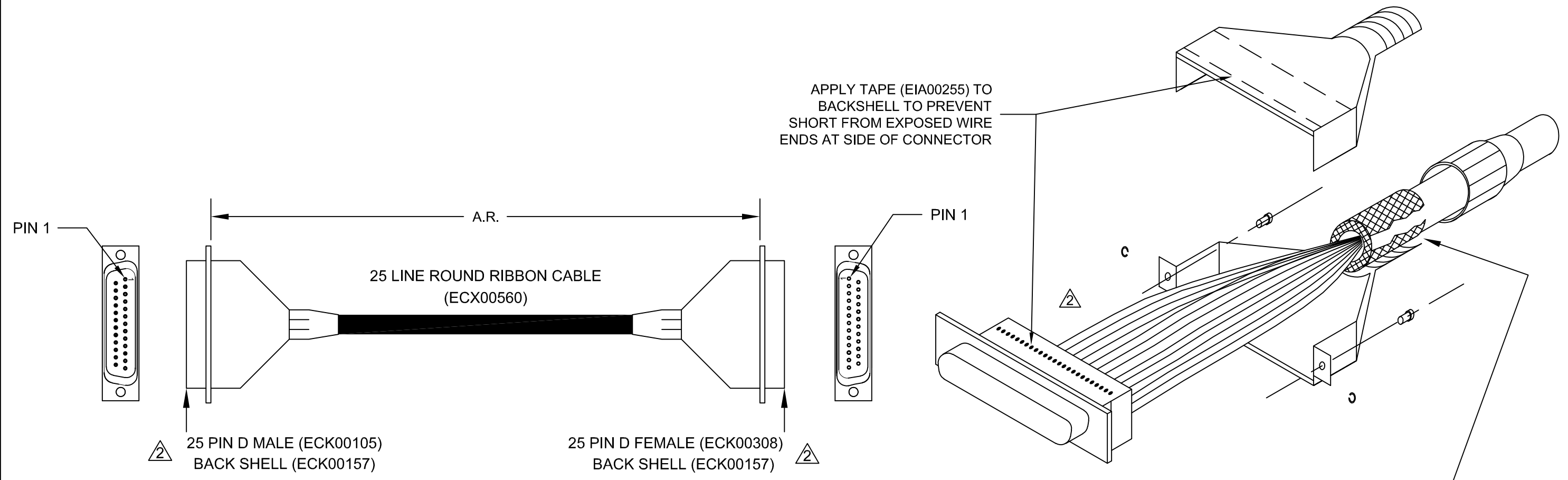



REVISIONS			
REV.	DESCRIPTION	DATE	APPROVAL
A	ADDED ECN 3377 (PICTORIAL DWG)	4/98	WG
B	ADDED ECN 4907	7/00	NTC
C	ADDED ECO0004071	03/20	AF



EXCESS FOIL SHIELD TO BE CUT OFF. BRAIDED SHIELD TO BE FOLDED BACK OVER JACKET APPROX 1". BACKSHELL HALVES TO BE PLACED OVER BRAIDED SHIELD AND SNAPPED TOGETHER. COVER NUT TO BE SCREWED ONTO BACKSHELL THREADING. NOTE: BACKSHELL MUST CONTACT BRAIDED SHIELD.

- NOTES:
- 1) STARTING CABLE LENGTH = 6" LONGER THAN REQUIRED LENGTH.
 - △ THE STRIPED CONDUCTOR SHOULD BE ORIENTED ON THE PIN 1 SIDE OF BOTH CONNECTORS.

PROPRIETARY INFORMATION THIS DRAWING IS THE PROPERTY OF AEROTECH, INC. AND IS SUBMITTED IN CONFIDENCE AND SHALL NOT BE REPRODUCED NOR COPIED NOR DISCLOSED TO OTHERS UNDER PENALTY OF LAW.		 © AEROTECH, INC. 101 Zeta Drive Pittsburgh, PA. 15238 (412)963-7470 TWX710-795-3125	
TOLERANCES ON FRACTIONS DECIMALS ANGLES 0 TO 6 ±1/32 .XX ±.01 ± 0-30' OVER 6 ±1/16 .XXX ±.005		MXC EXTENSION CABLE (Length in feet)	
RMS FINISH	EXCEPT AS NOTED	PART CODE	SIZE
DRAWN	WG	8/18/93	MXC-xx B
CHECKED	WG	4/98	630B1538
APPD.	WG	4/98	REV. C
SCALE	NTS	FILE NAME	SHEET
		630B1538.dwg	1 OF 1