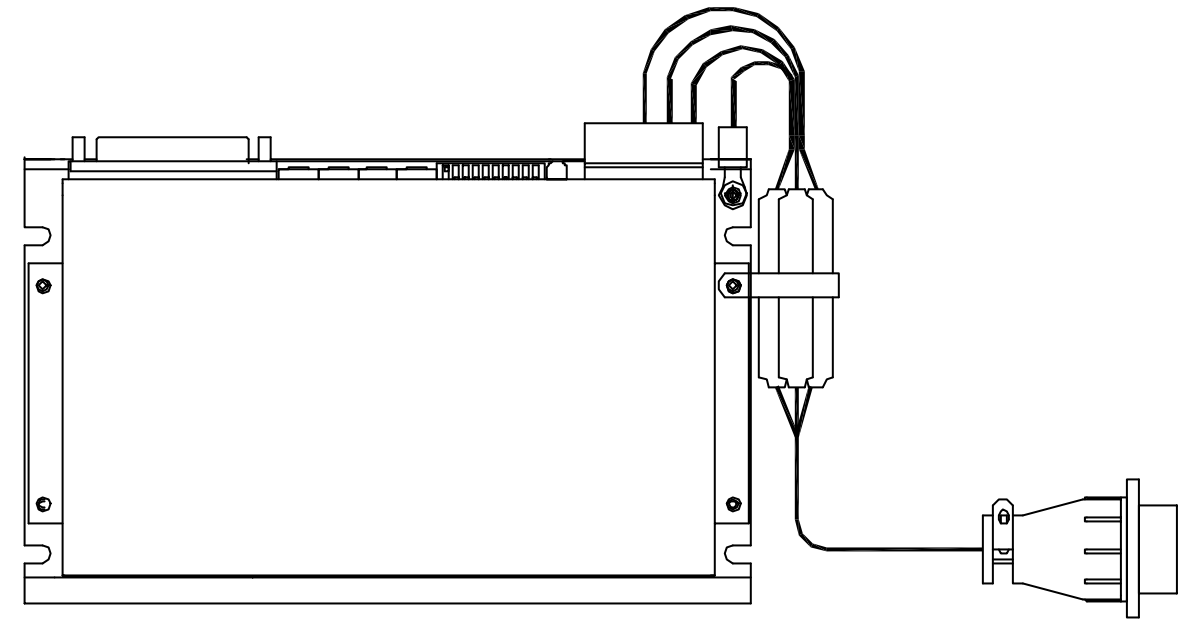
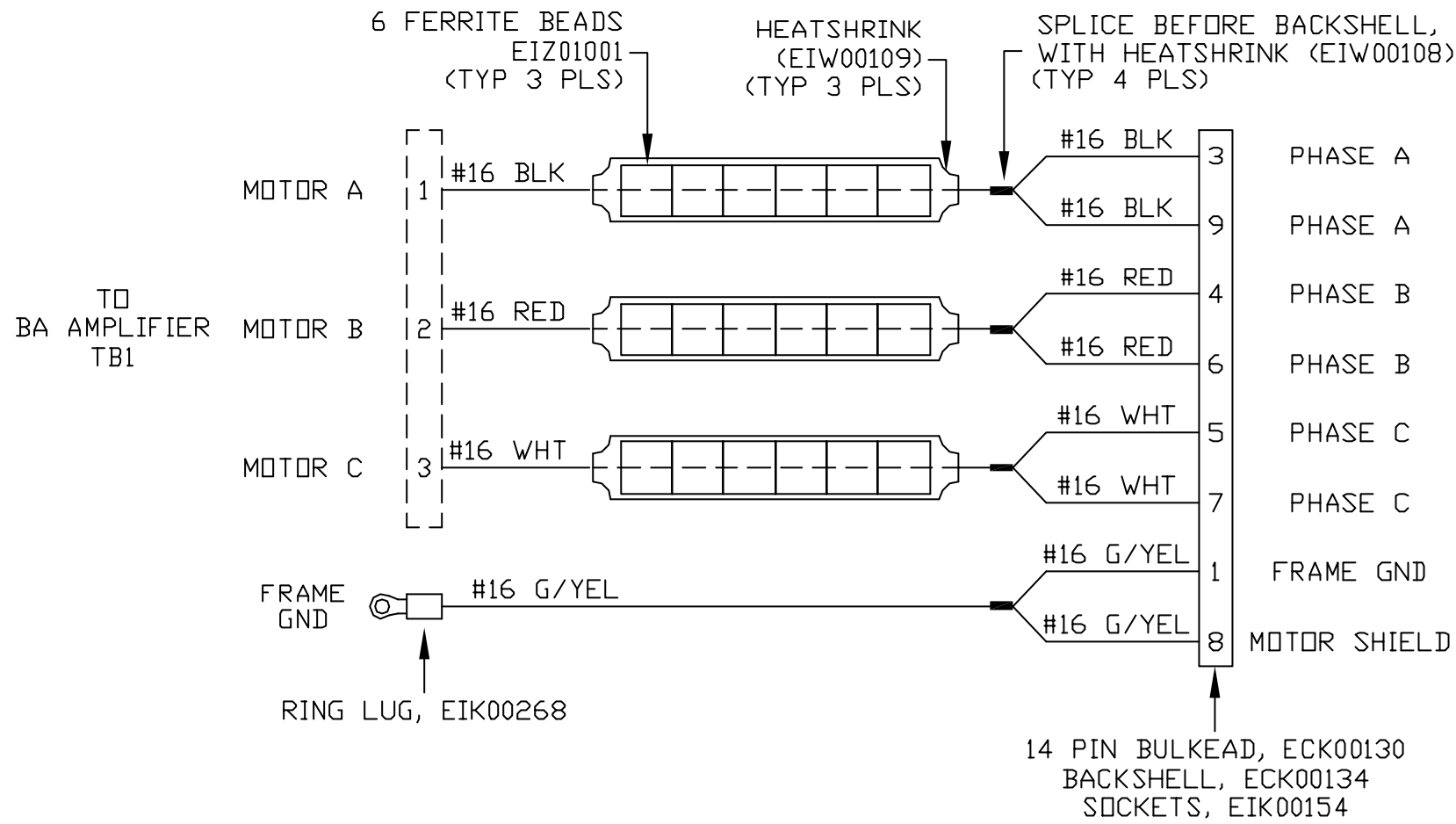
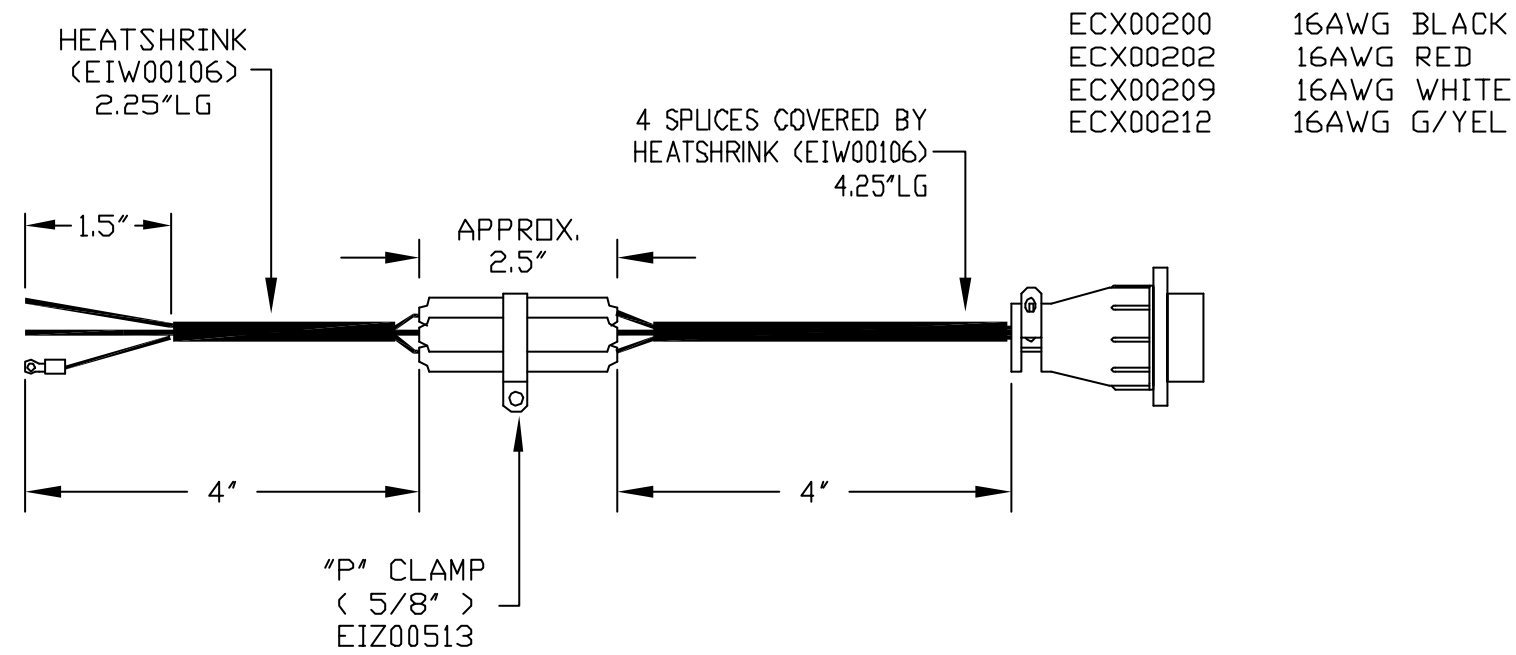


REVISIONS				
REV.	ZONE	DESCRIPTION	DATE	APPROVAL
A		ADDED ECN4909	-	N. CHUTE
B		ADD PART NUMBERS FOR HSHRINK, WIRE	10/31/11	N. CHUTE
C		ADDED ECN5767	09/01	JRF



TYPICAL MOUNTING



TYPICAL ASSEMBLY

PROPRIETARY INFORMATION
THIS DRAWING IS THE PROPERTY
OF AEROTECH, INC. AND IS
SUBMITTED IN CONFIDENCE AND
SHALL NOT BE REPRODUCED NOR
COPIED NOR DISCLOSED TO OTHERS
UNDER PENALTY OF LAW.



AEROTECH, INC. 101 Zeta Drive
Pittsburgh, PA. 15238
(412)963-7470 TWX710-795-3125

TOLERANCES ON
FRACTIONS DECIMALS ANGLES
D TO 6 ± 1/32 .XX ± .01 ± 0-30'
OVER 6 ± 1/16 .XXX ± .005

BA AMPLIFIER (BM/BLM)
FILTER/ADAPTER
CABLE

RNS FINISH ✓ EXCEPT AS NOTED

DRAWN LTL 8-4-98
CHECKED DS 09/01
APPD. AGS 09/01

PART CODE SIZE REV.
BMC2F B 630B1754-1 C
SCALE 1=1 FILE NAME 630B1754-1C1.dwg SHEET 1 OF 1