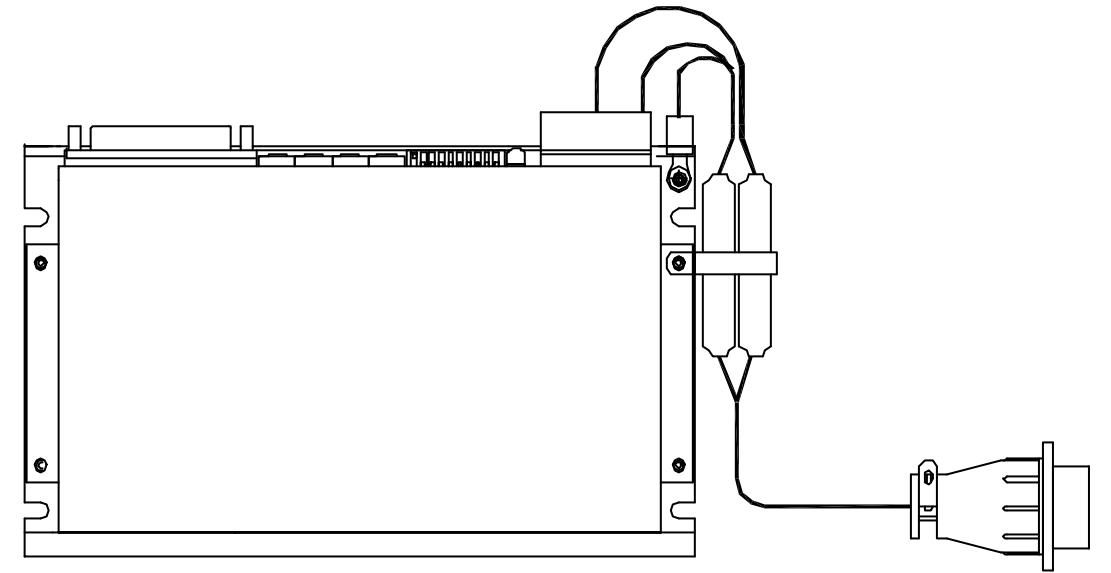
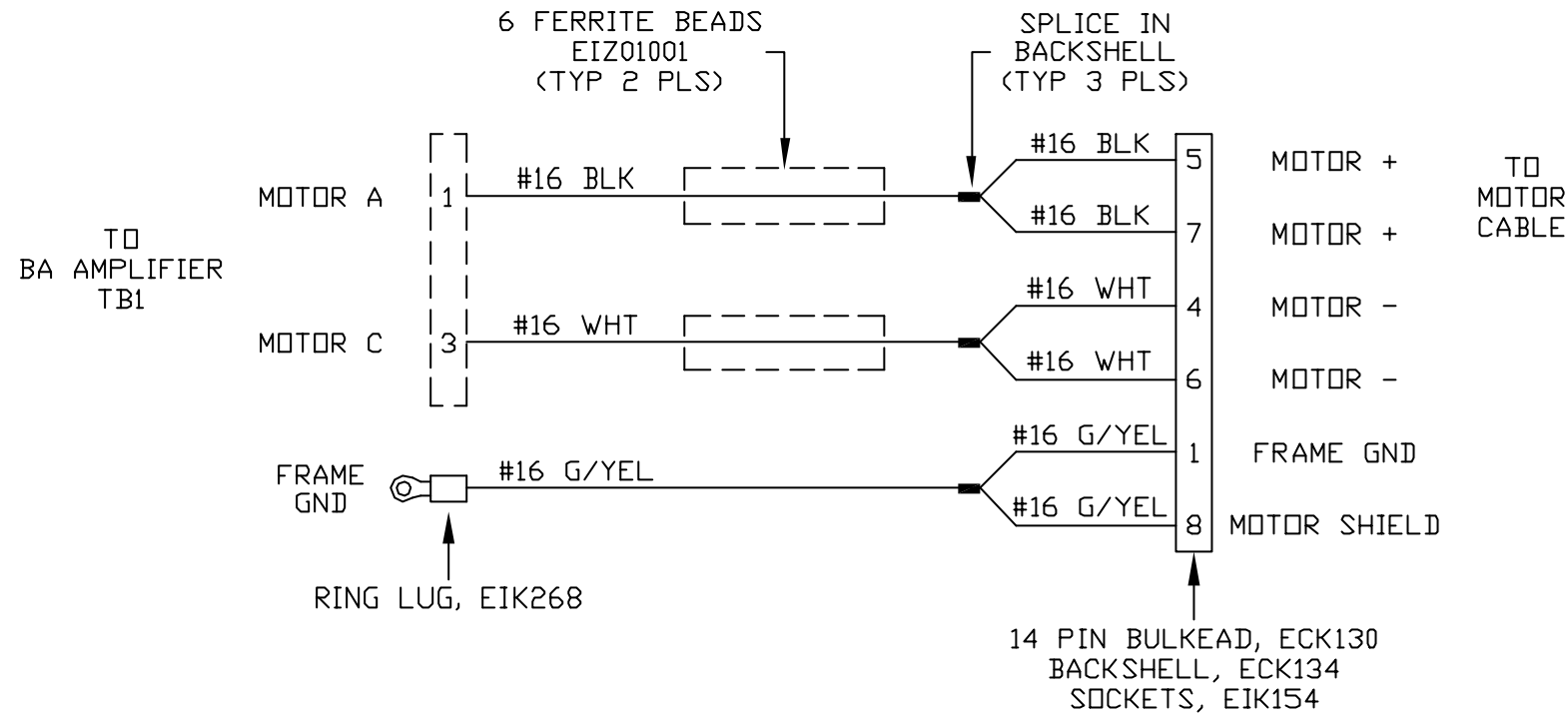
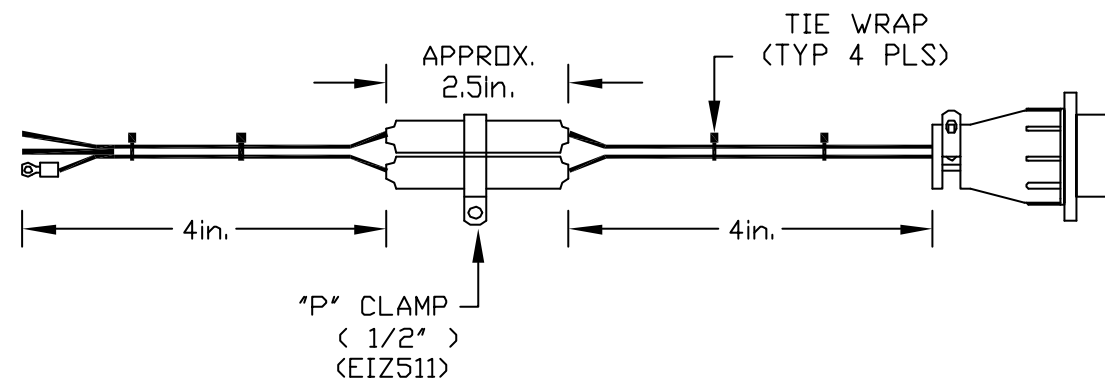



REVISIONS				
REV.	ZONE	DESCRIPTION	DATE	DRAWN



TYPICAL MOUNTING



TYPICAL ASSEMBLY

PROPRIETARY INFORMATION THIS DRAWING IS THE PROPERTY OF AEROTECH, INC. AND IS SUBMITTED IN CONFIDENCE AND SHALL NOT BE REPRODUCED NOR COPIED NOR DISCLOSED TO OTHERS UNDER PENALTY OF LAW.		 AEROTECH, INC. 101 Zeta Drive Pittsburgh, PA. 15238 (412)963-7470 TWX710-795-3125	
TOLERANCES ON FRACTIONS DECIMALS ANGLES 0 TO 6 ± 1/32 .XX ± .01 ± 0-30' OVER 6 ± 1/16 .XXX ± .005		BA AMPLIFIER (BRUSH) FILTER/ADAPTER CABLE	
RNS FINISH <input checked="" type="checkbox"/> EXCEPT AS NOTED		PART CODE BC2F	
DRAWN LTL 08/98	CHECKED AGS 08/98	SIZE B	REV. 630B1754-2 -
APPD. AGS 08/98	SCALE -	FILE NAME 630B1754-201.dwg	SHEET 1 OF 1