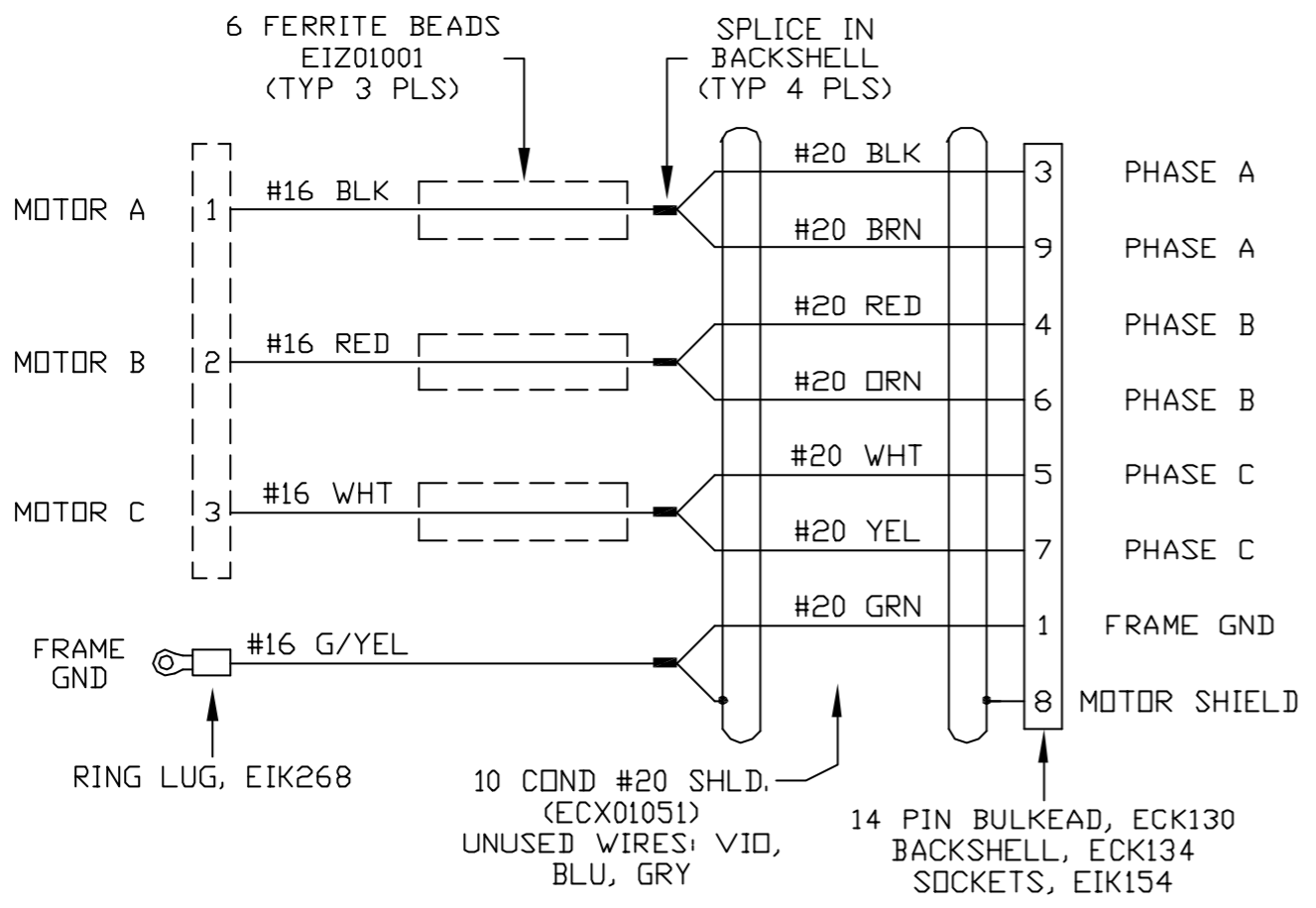
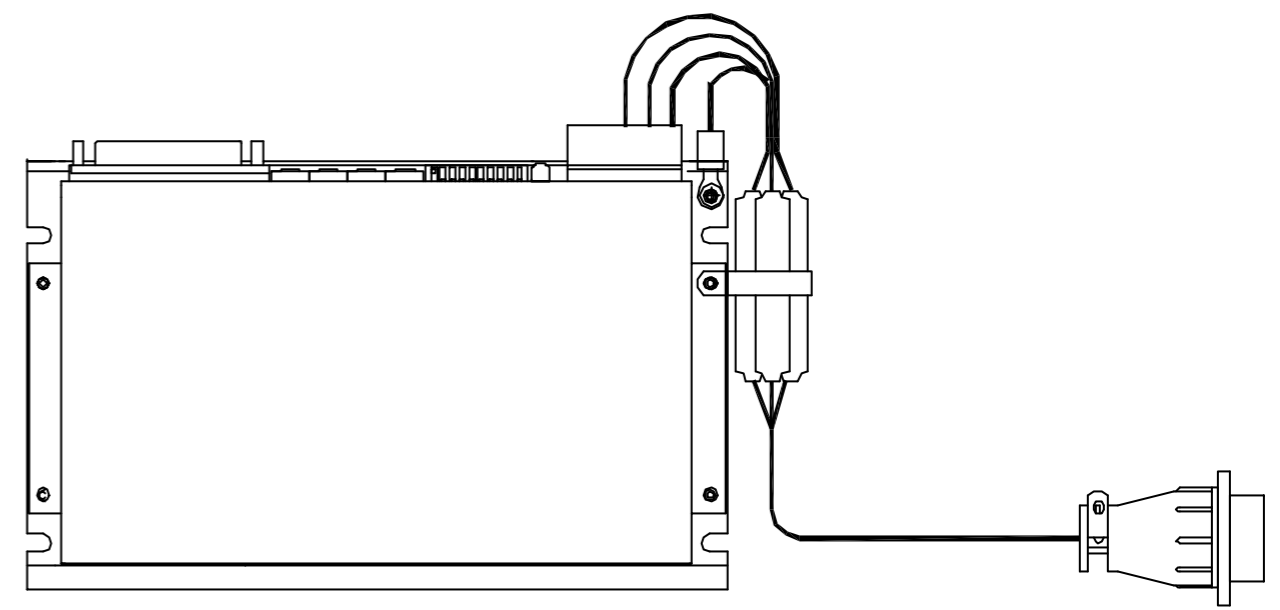


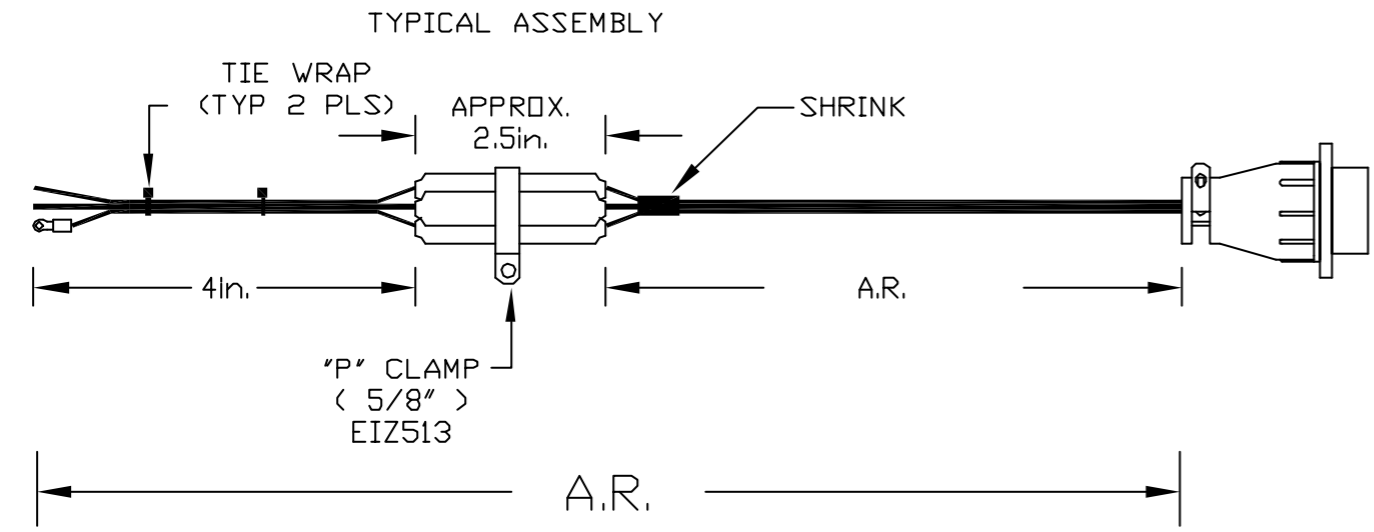
REVISIONS				
REV.	ZONE	DESCRIPTION	DATE	DRAWN




TO  
MOTOR  
CABLE



TYPICAL MOUNTING



PROPRIETARY INFORMATION THIS DRAWING IS THE PROPERTY OF AEROTECH, INC. AND IS SUBMITTED IN CONFIDENCE AND SHALL NOT BE REPRODUCED NOR COPIED NOR DISCLOSED TO OTHERS UNDER PENALTY OF LAW.			 AEROTECH, INC. 101 Zeta Drive Pittsburgh, PA. 15238 (412)963-7470 TWX710-795-3125		
TOLERANCES ON FRACTIONS DECIMALS ANGLES 0 TO 6 ± 1/32 .XX ± .01 ± 0-30' OVER 6 ± 1/16 .XXX ± .005			<b>BA AMPLIFIER (BM/BLM)          FILTER/ADAPTER          CABLE</b>		
RMS FINISH <input checked="" type="checkbox"/> EXCEPT AS NOTED			PART CODE	SIZE	REV.
DRAWN	LTL	02/99	BMC2F-X	B	630B1754-3
CHECKED	AGS	02/99			
APP'D.	AGS	02/99	SCALE -	FILE NAME 630B1754-301.dwg	SHEET 1 OF 1