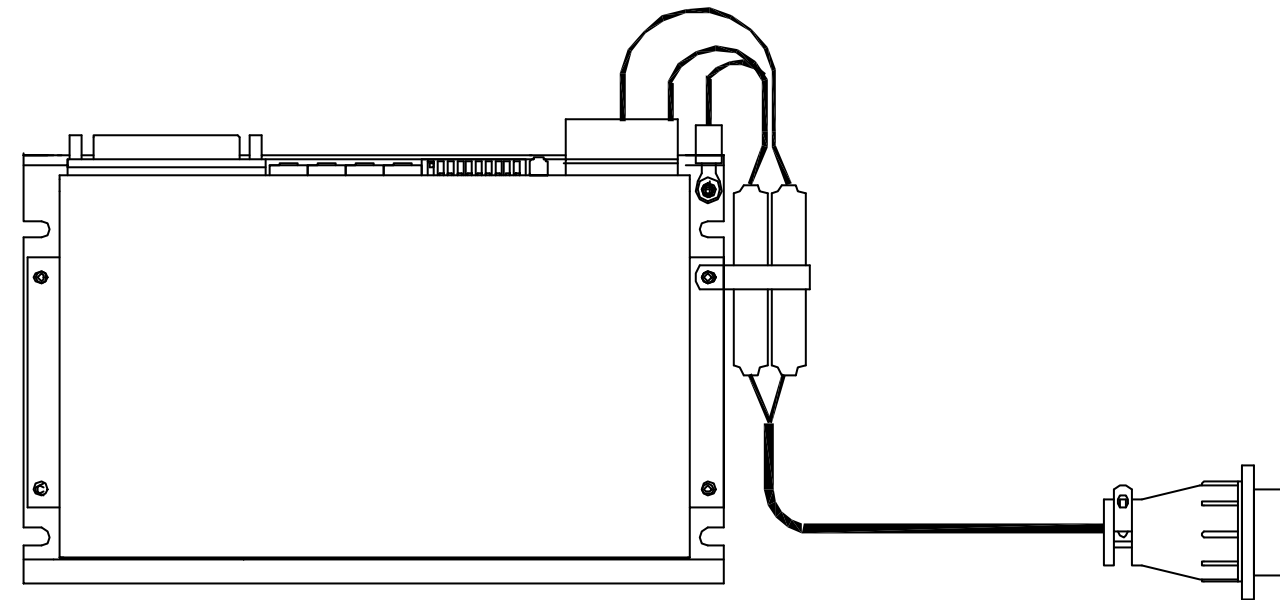
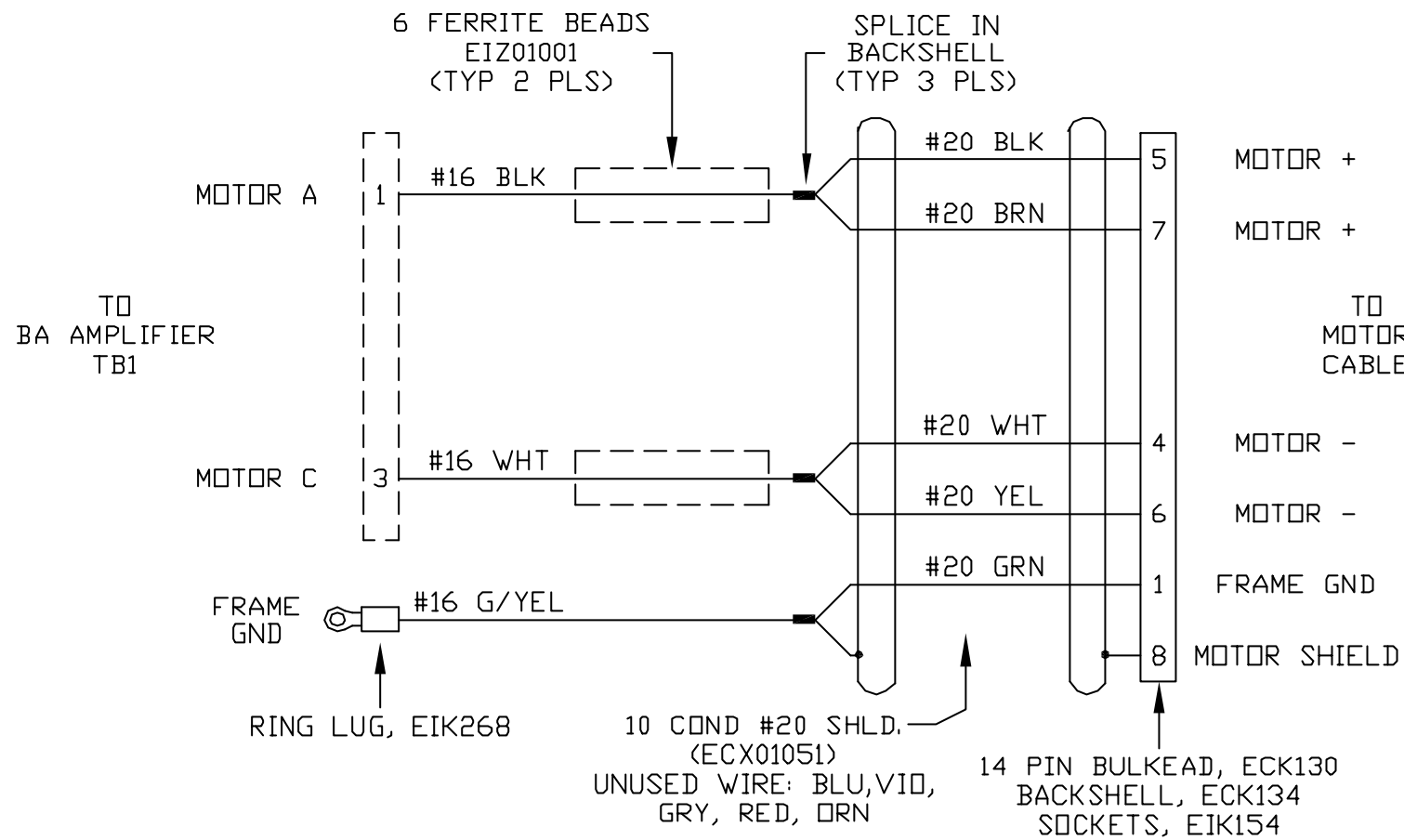
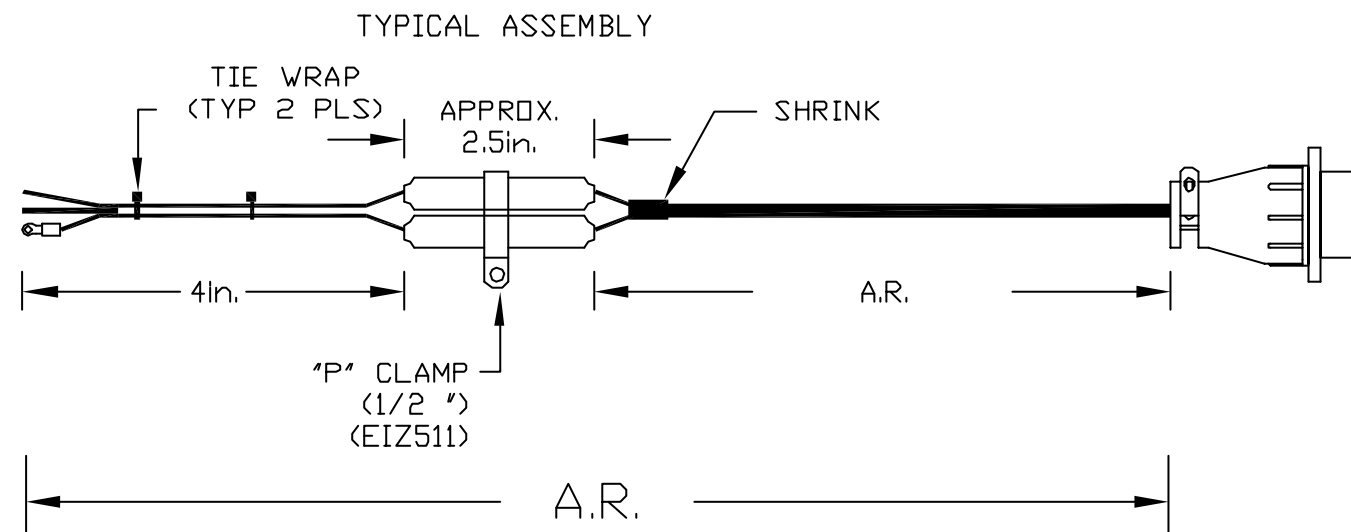

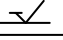


REVISIONS				
REV.	ZONE	DESCRIPTION	DATE	DRAWN



TYPICAL MOUNTING



PROPRIETARY INFORMATION THIS DRAWING IS THE PROPERTY OF AEROTECH, INC. AND IS SUBMITTED IN CONFIDENCE AND SHALL NOT BE REPRODUCED NOR COPIED NOR DISCLOSED TO OTHERS UNDER PENALTY OF LAW.			 AEROTECH, INC. 101 Zeta Drive Pittsburgh, PA. 15238 (412)963-7470 TWX710-795-3125		
TOLERANCES ON FRACTIONS DECIMALS ANGLES 0 TO 6 ± 1/32 .XX ± .01 ± 0-30' OVER 6 ± 1/16 .XXX ± .005			BA AMPLIFIER (BRUSH) FILTER/ADAPTER CABLE		
RMS FINISH  EXCEPT AS NOTED			PART CODE BC2F-X SIZE B 630B1754-4 REV. -		
DRAWN LTL 02/99 CHECKED AGS 02/99 APPD. AGS 02/99	SCALE FULL		FILE NAME 630B1754-401.dwg		SHEET 1 OF 1