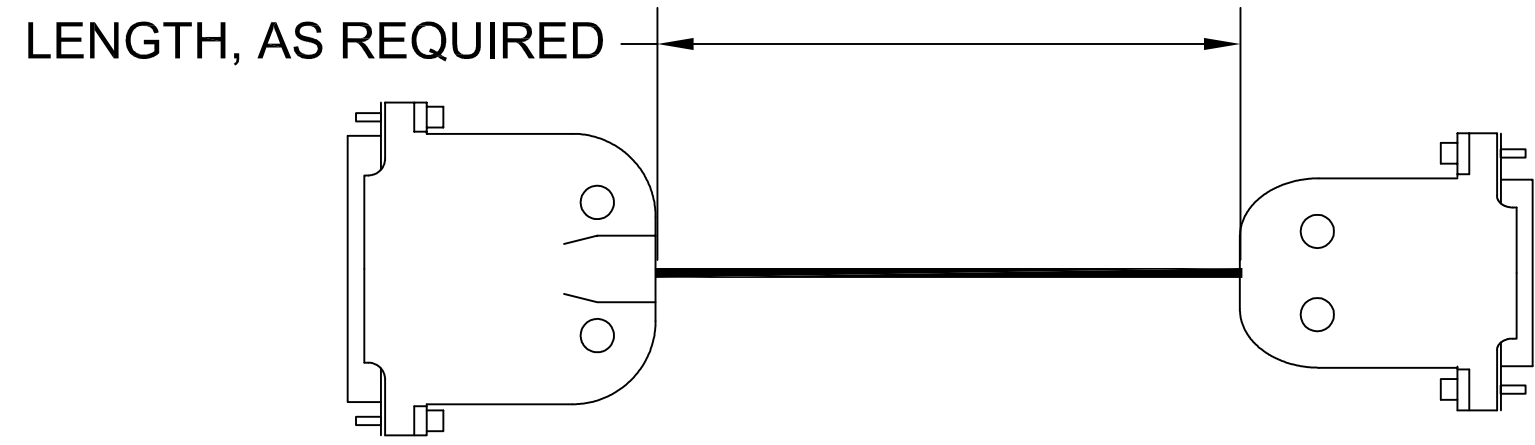
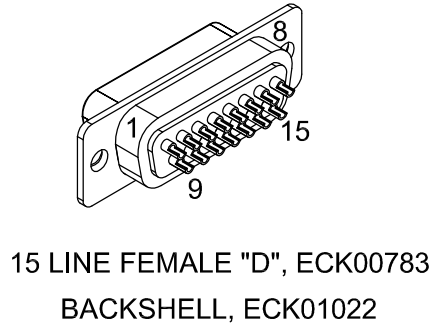
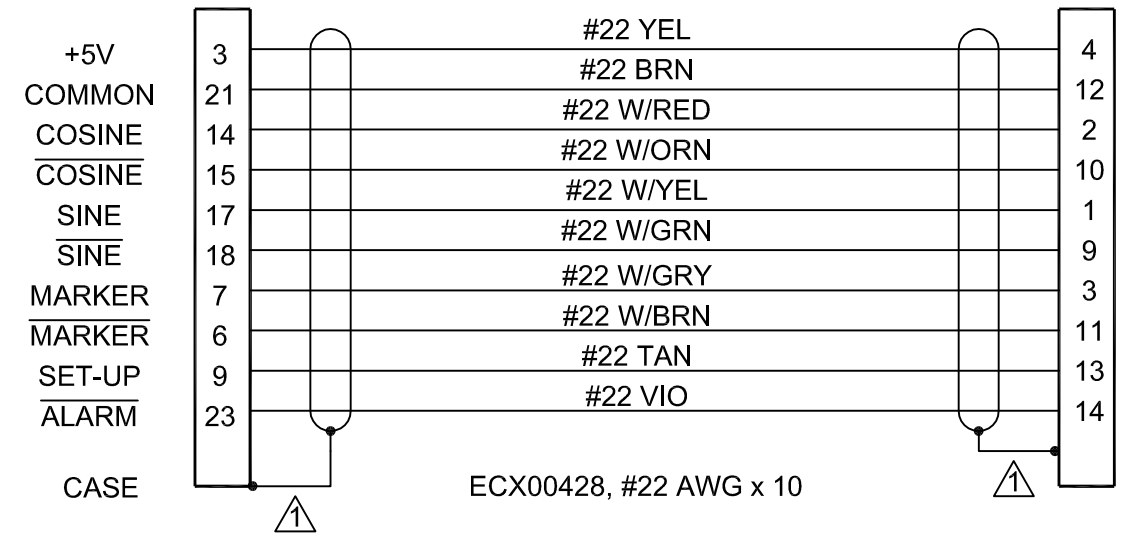
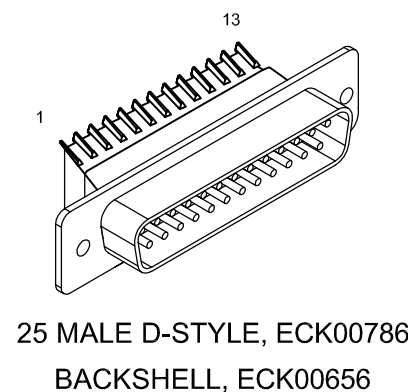
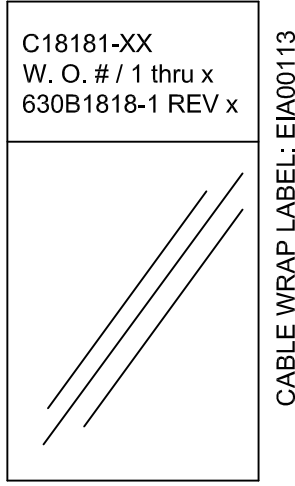


REVISIONS				
SYM.	ZONE	DESCRIPTION	DATE	APPROVAL
A	5723	REMOVED DIRECTIONAL INFO	6/18/01	RDS
B		ADDED ECO 69	8/17/17	JFM

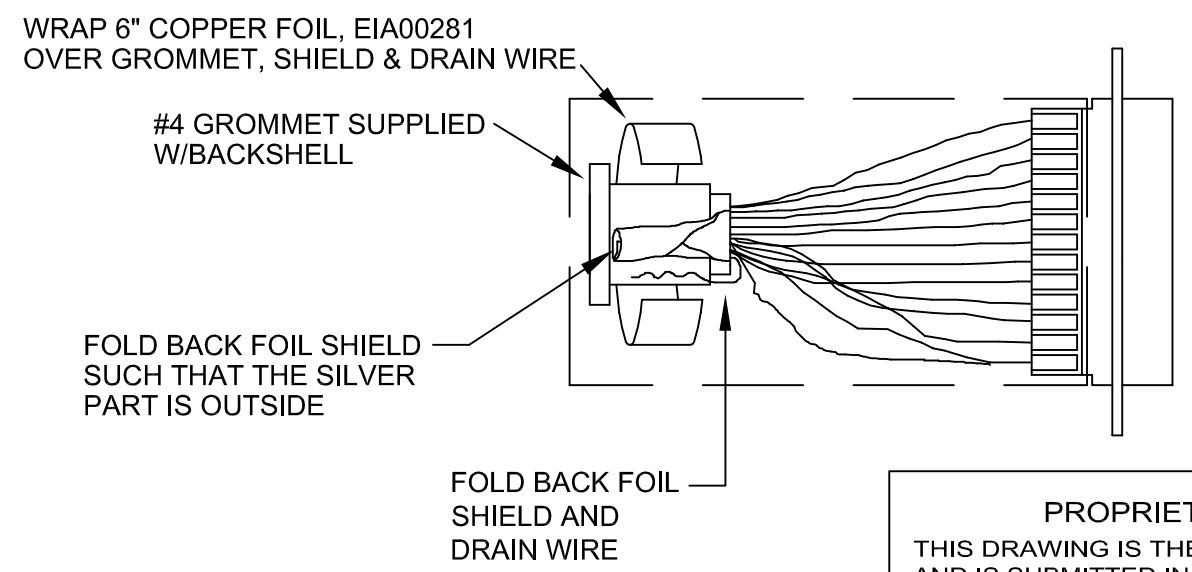


LABELS:
2 REQUIRED
(1 AT EACH END)



NOTE:
THIS CABLE MAY BE USED IN CONJUNCTION
WITH THE LINEAR ENCODER ADAPTER CABLE
630B1552.

CONNECTOR SHIELDING



PROPRIETARY INFORMATION
THIS DRAWING IS THE PROPERTY OF AEROTECH, INC.
AND IS SUBMITTED IN CONFIDENCE AND SHALL NOT BE
REPRODUCED NOT COPIED NOR DISCLOSED TO OTHERS

MACHINING TOLERANCE MANUAL MM-1000 APPLIES UNLESS OTHERWISE SPECIFIED		
TOLERANCES ON FRACTIONS DECIMALS ANGLES 0 TO 6+OR- 1/32 .XX +OR-.01 +OR- 0-30' OVER 6+OR-1/16 .XXX +OR-.005		
RMS FINISH	✓	EXCEPT AS NOTED
DRAWN	EJB	5/13/99
CHECKED	RDS	6/18/01
DESIGN		
ENGRG		
PROD		
Q. A.		
APPD	RDS	6/18/01



AEROTECH, INC. 101 Zeta Drive
Pittsburgh, PA. 15238
(412) 963-7470 TWX 710-795-3125

RENISHAW LINEAR ENCODER CABLE ENC FB-25D-15D-MAX60DM

CODE IDENT. NO.	SIZE	REV.
C18181	B	630B1818-1
SCALE	FILE NAME: 630B1818-1.DWG	SHEET. 1 OF 1