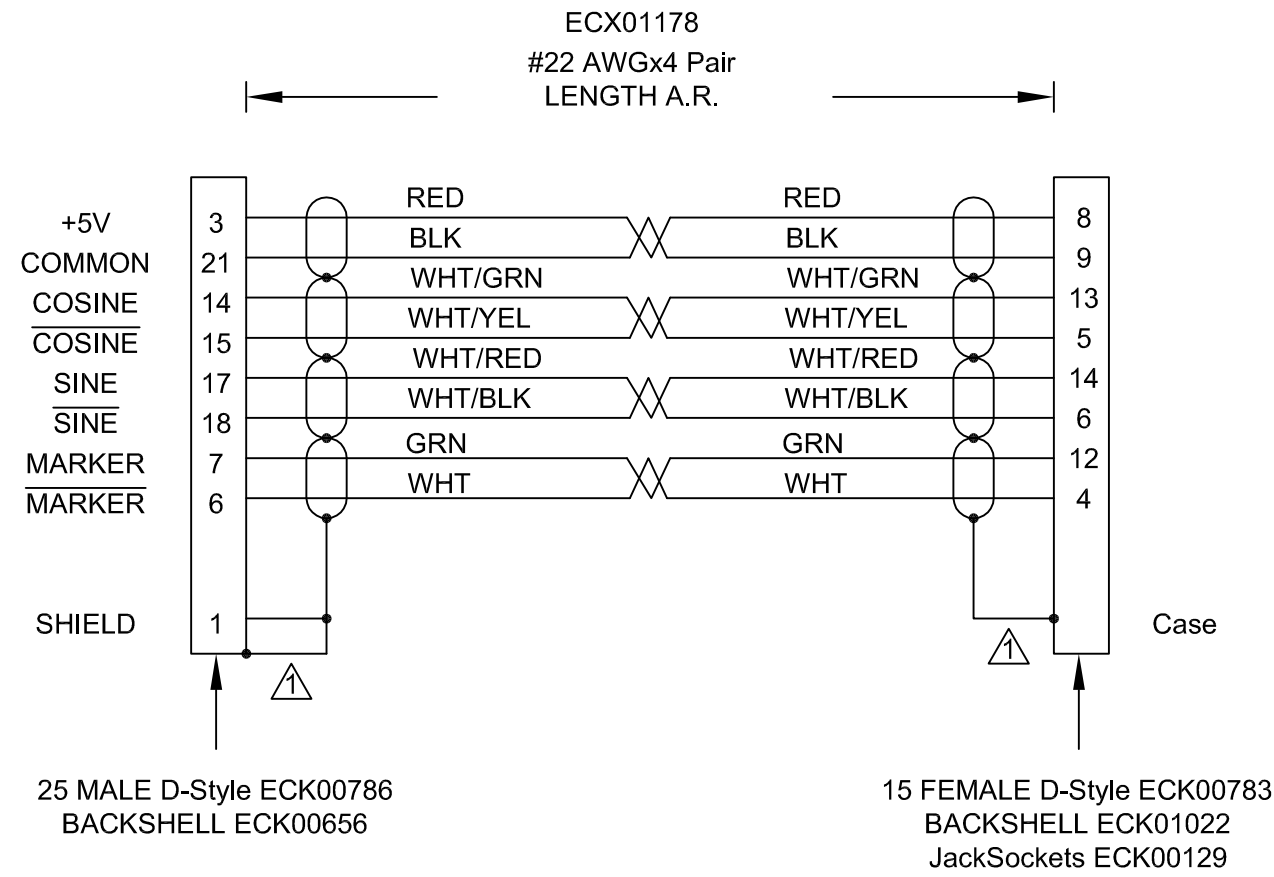
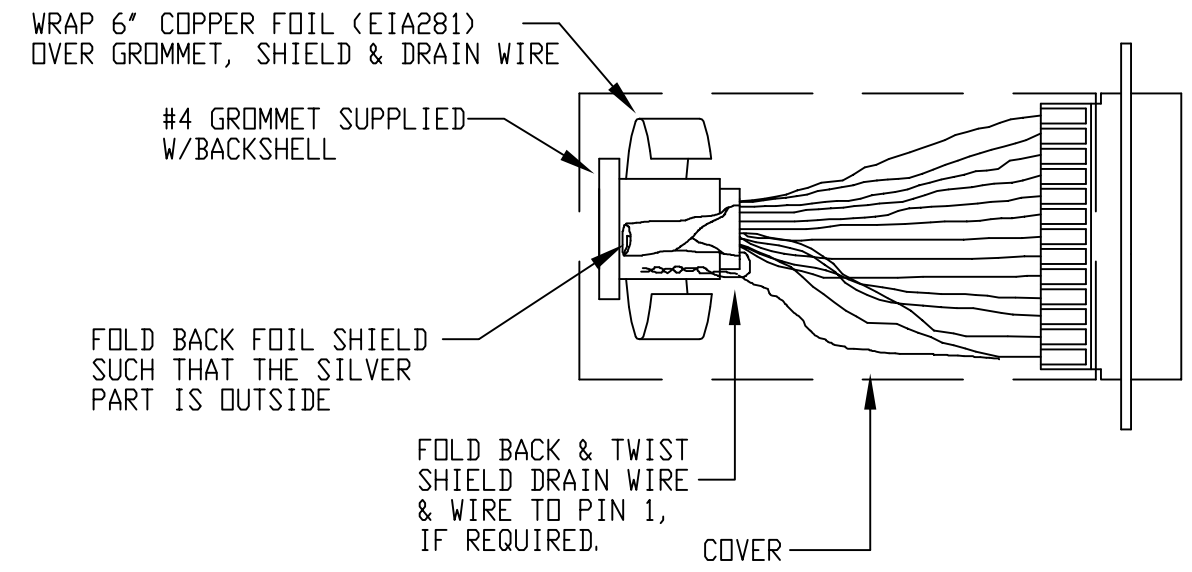


REVISIONS			
REV.	DESCRIPTION	DATE	DRAWN



CONNECTOR SHIELDING



**PROPRIETARY INFORMATION**  
THIS DRAWING IS THE PROPERTY  
OF AEROTECH, INC. AND IS  
SUBMITTED IN CONFIDENCE AND  
SHALL NOT BE REPRODUCED NOR  
COPIED NOR DISCLOSED TO OTHERS  
UNDER PENALTY OF LAW.



AEROTECH, INC. 101 Zeta Drive  
Pittsburgh, PA. 15238  
(412)963-7470  
www.aerotech.com

TOLERANCES ON		
FRACTIONS	DECIMALS	ANGLES
0 TO 6 $\frac{1}{32}$	.XX $\pm 01$	$\pm 0-30'$
OVER 6 $\frac{1}{16}$	.XXX $\pm 005$	

## Numerik Jena Adapter FB-25DU-15DU-ADP CABLE

RMS FINISH		EXCEPT AS NOTED	PART CODE	SIZE	REV.
DRAWN	JFM	9/29/2014	C18184-xx	B	-
CHECKED	AGS	9/29/2014	<b>630B1818-4</b>		
APPD.	AGS	9/29/2014			
SCALE NTS		FILE NAME	630B1818-401.Dwg		SHEET 1 OF 1