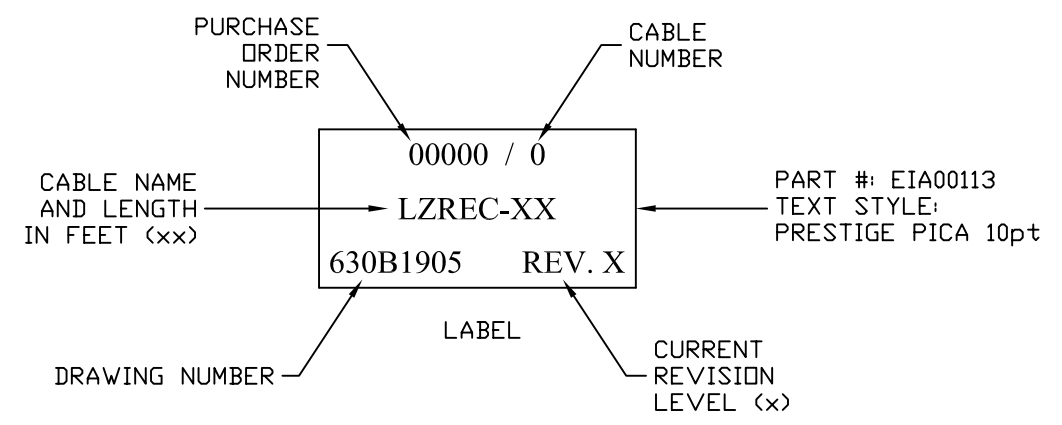
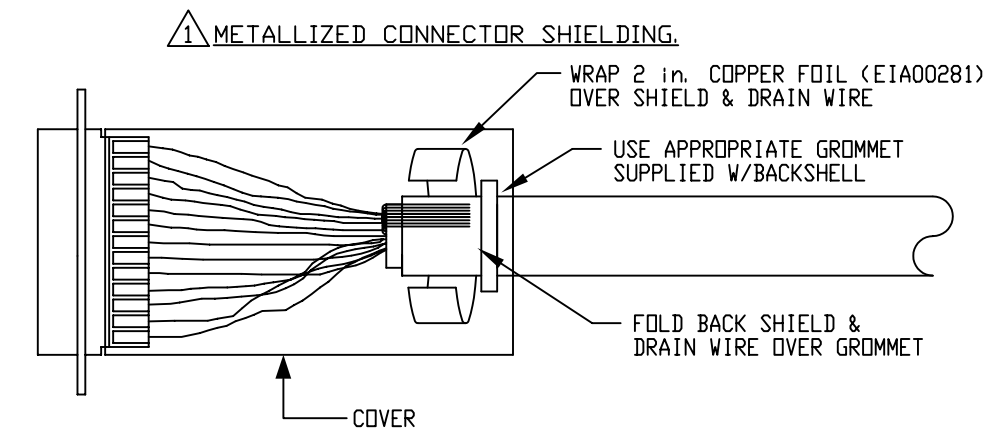
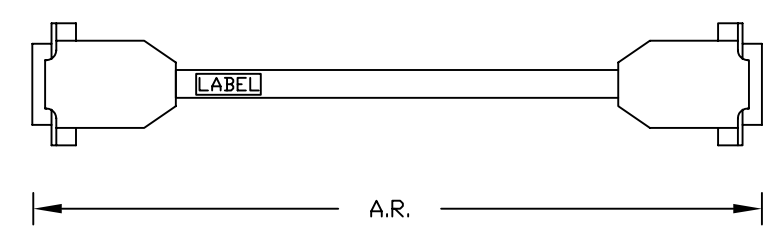
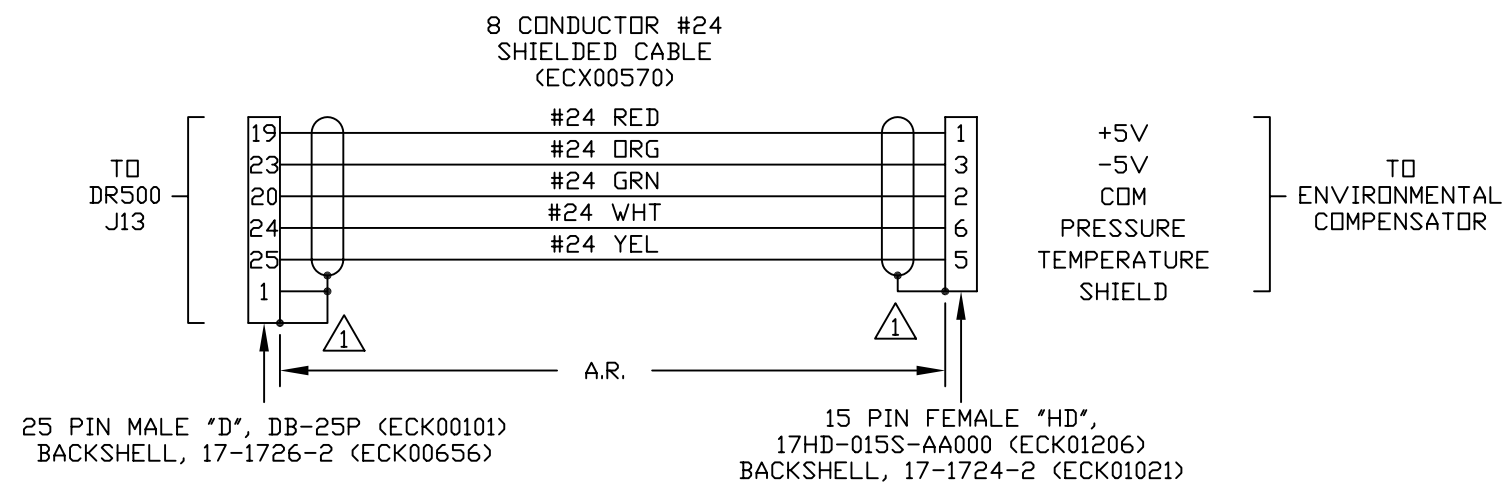


REVISIONS				
SYM.	ZONE	DESCRIPTION	DATE	APPROVAL
A		ADDED ECN5524	04/01	JRF
B		ADDED ECN5578	04/01	JRF
C		ADDED ECN6225	09/02	JRF



PROPRIETARY INFORMATION
THIS DRAWING IS THE PROPERTY
OF AEROTECH, INC. AND IS
SUBMITTED IN CONFIDENCE AND
SHALL NOT BE REPRODUCED NOR
COPIED NOR DISCLOSED TO OTHERS
UNDER PENALTY OF LAW.



® AEROTECH, INC. 101 Zeta Drive
Pittsburgh, PA. 15238
(412)963-7470 TWX710-795-3125

TOLERANCES ON		
FRACTIONS	DECIMALS	ANGLES
0 TO 6 ± 1/32	.XX ± .01	± 0-30'
OVER 6 ± 1/16	.XXX ± .005	

RMS FINISH EXCEPT AS NOTED

LZREC
LZR1100 TO DR RACK

DRAWN	JRF	02/15/01	PART CODE	SIZE	REV.
CHECKED	EJB	05/01	LZREC-XX	B	C
APPD.	EJB	05/01	SCALE NTS	FILE NAME 630B1905C1.dwg	SHEET 1 of 1