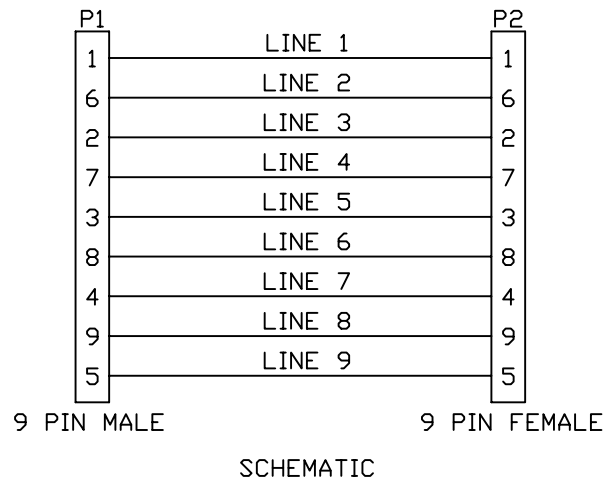
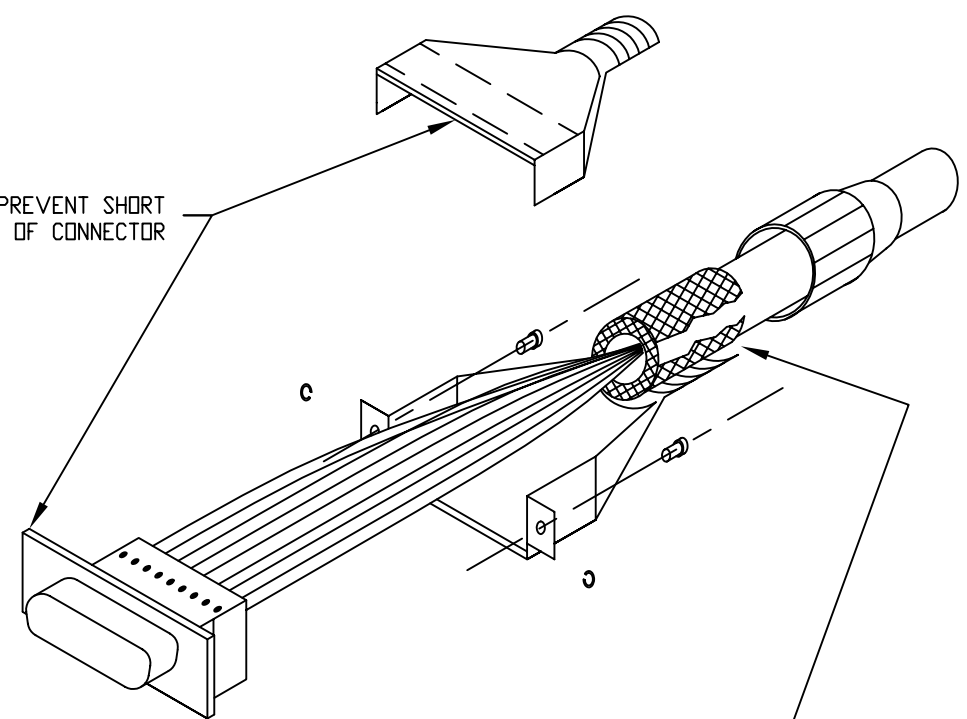


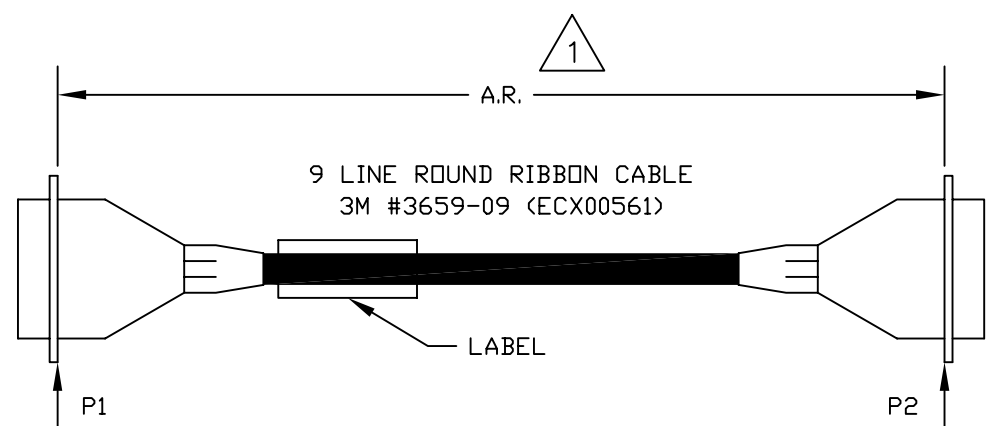
REVISIONS				
REV.	ZONE	DESCRIPTION	DATE	APPROVAL



APPLY TAPE (EIA00255) TO BACKSHELL TO PREVENT SHORT FROM EXPOSED WIRE ENDS AT SIDE OF CONNECTOR

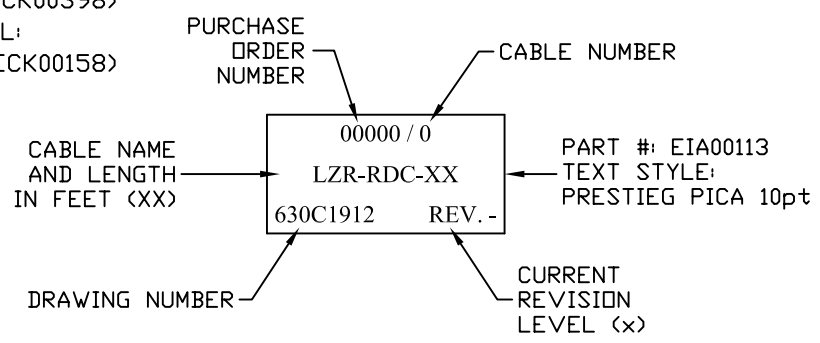


EXCESS FOIL SHIELD TO BE CUT OFF, BRAIDED SHIELD TO BE FOLDED BACK OVER JACKET APPROX 1". BACKSHELL HALVES TO BE PLACED OVER BRAIDED SHIELD AND SNAPPED TOGETHER, COVER NUT TO BE SCREWED ONTO BACKSHELL THREADING. NOTE: BACKSHELL MUST CONTACT BRAIDED SHIELD.



9 PIN D MALE CONNECTOR:
3M #8209-6060 (ECK00139)
BACK SHELL:
3M #3357-9209 (ECK00158)

9 PIN D FEMALE CONNECTOR:
3M #8309-6060 (ECK00398)
BACK SHELL:
3M #3357-9209 (ECK00158)



1 STARTING CABLE LENGTH = 6' LONGER THAN REQUIRED LENGTH.

PROPRIETARY INFORMATION THIS DRAWING IS THE PROPERTY OF AEROTECH, INC. AND IS SUBMITTED IN CONFIDENCE AND SHALL NOT BE REPRODUCED NOR COPIED NOR DISCLOSED TO OTHERS UNDER PENALTY OF LAW.		AEROTECH, INC. 101 Zeta Drive Pittsburgh, PA. 15238 (412)963-7470 TWX710-795-3125	
TOLERANCES ON FRACTIONS DECIMALS ANGLES 0 TO 6 ± 1/32 .XX ± .01 ± 0-30° OVER 6 ± 1/16 .XXX ± .005		REMOTE DETECTOR CABLE	
RMS FINISH: <input checked="" type="checkbox"/> EXCEPT AS NOTED		PART CODE: LZR-RDC-XX SIZE: B	
DRAWN: JRF	CHECKED: EJB	03/16/01	630B1912
APPD: AV	03/16/01	SCALE NTS	FILE NAME: 630B191201.dwg SHEET: 1 OF 1