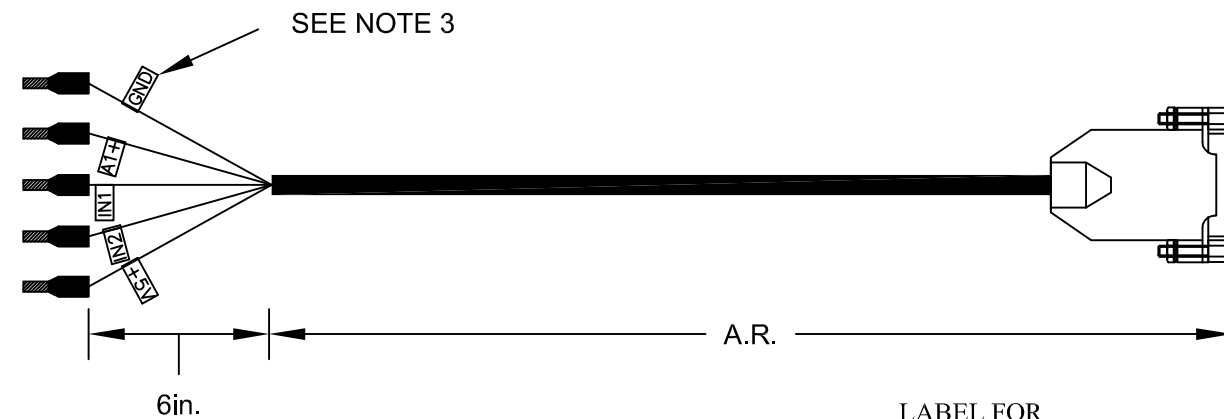
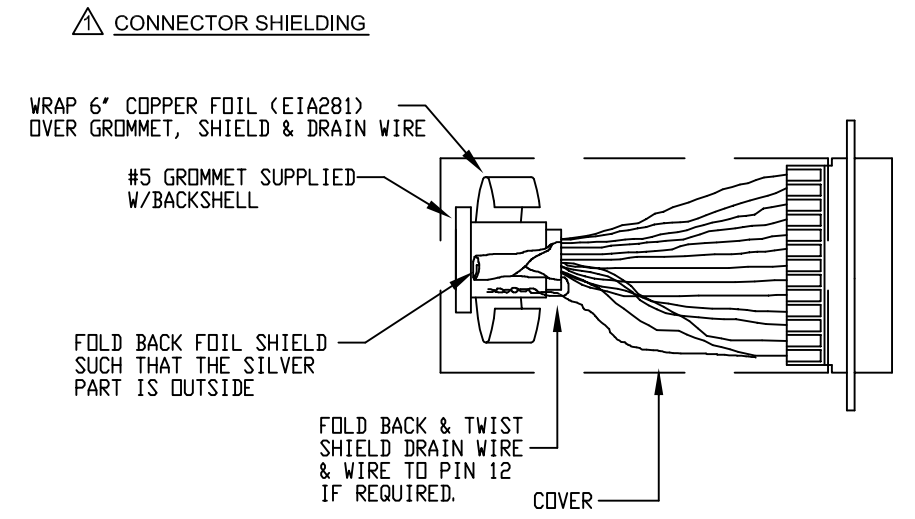
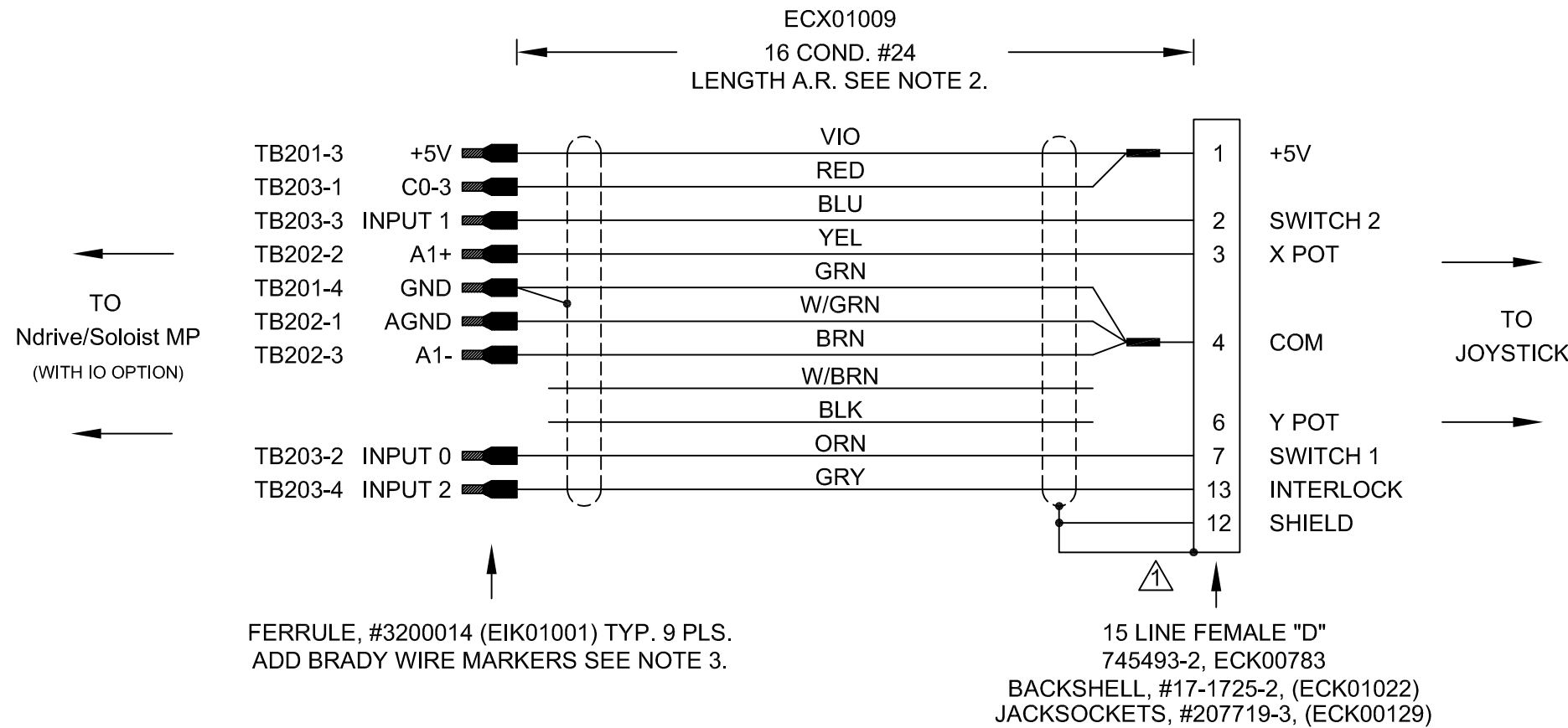
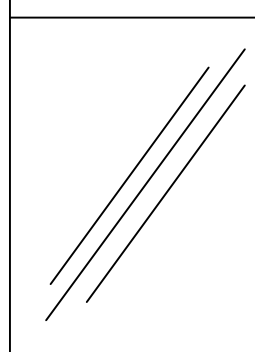


REVISIONS				
SYM.	ZONE	DESCRIPTION	DATE	APPROVAL



LABEL FOR
C19795 CABLE:
(1) REQUIRED

C19795-XX
W. O. # / 1 thru X
630B1979-5 REV(X)



PROPRIETARY INFORMATION
THIS DRAWING IS THE PROPERTY
OF AEROTECH, INC. AND IS
SUBMITTED IN CONFIDENCE AND
SHALL NOT BE REPRODUCED NOR
COPIED NOR DISCLOSED TO OTHERS
UNDER PENALTY OF LAW.

TOLERANCES ON		
FRACTIONS	DECIMALS	ANGLES
0 TO 6 ±1/32	.XX ±01	± 0-30'
OVER 6 ±1/16	.XXX ±005	

RMS FINISH EXCEPT AS NOTED

DRAWN	9/25/6	JFM
CHECKED	9/26/6	AGS
APPD.	9/26/6	AGS



AEROTECH, INC. 101 Zeta Drive
Pittsburgh, PA. 15238
www.aerotech.com

Ndrive / Soloist MP Single Axis Joystick Adapter Cable (JSXT-FLY-15DU-XX)

PART CODE	SIZE	REV.
C19795-XX	B	-
SCALE NTS	FILE NAME	SHEET
	630B1979-501.DWG	1 of 1

2. CABLE LENGTH

CAUTION, CABLE LENGTHS (XX) ARE IN DECIMETERS
EXAMPLE: C19795-30
30 = 30 DECIMETERS (3 METERS) = 10FT.

3. WIRE MARKERS

FLAG WIRES WITH BRADY LABELS
COMPUTER FILE NO. 630B1979-501.