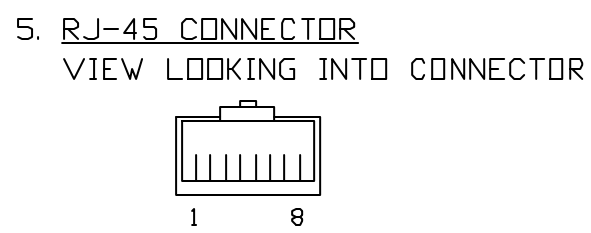
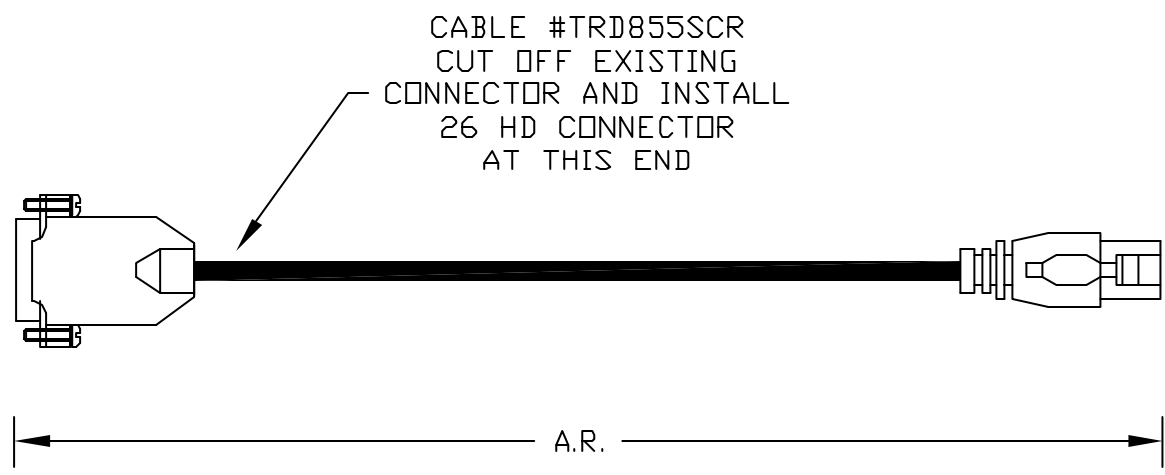
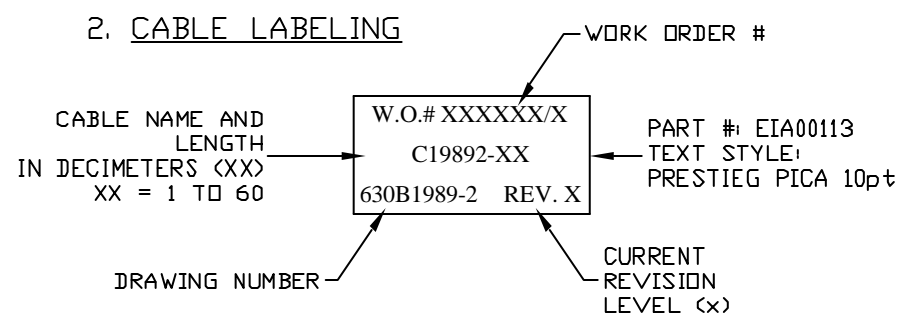
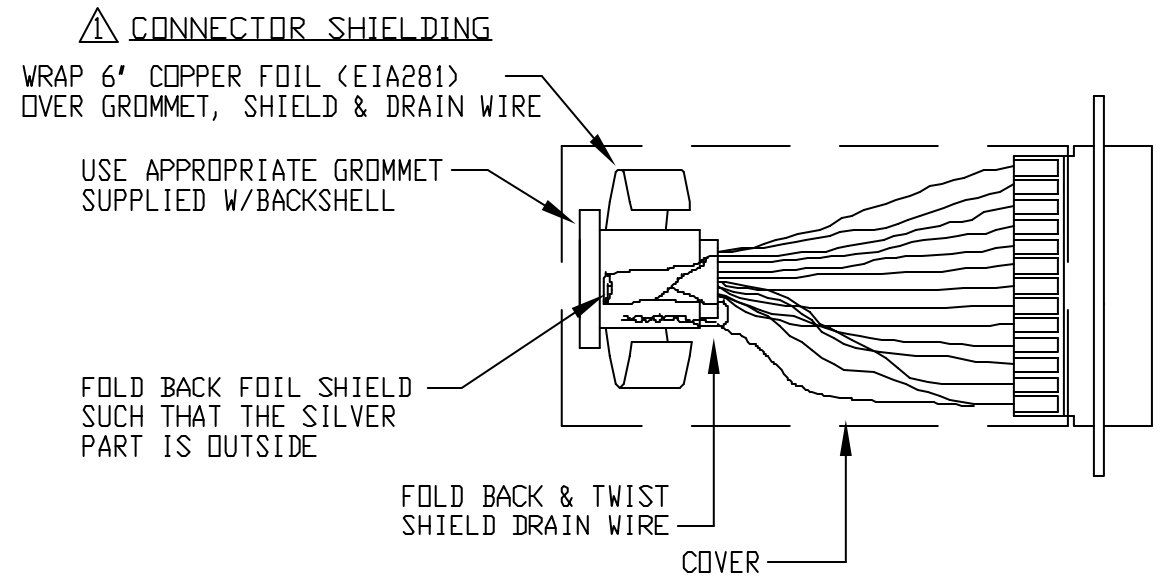
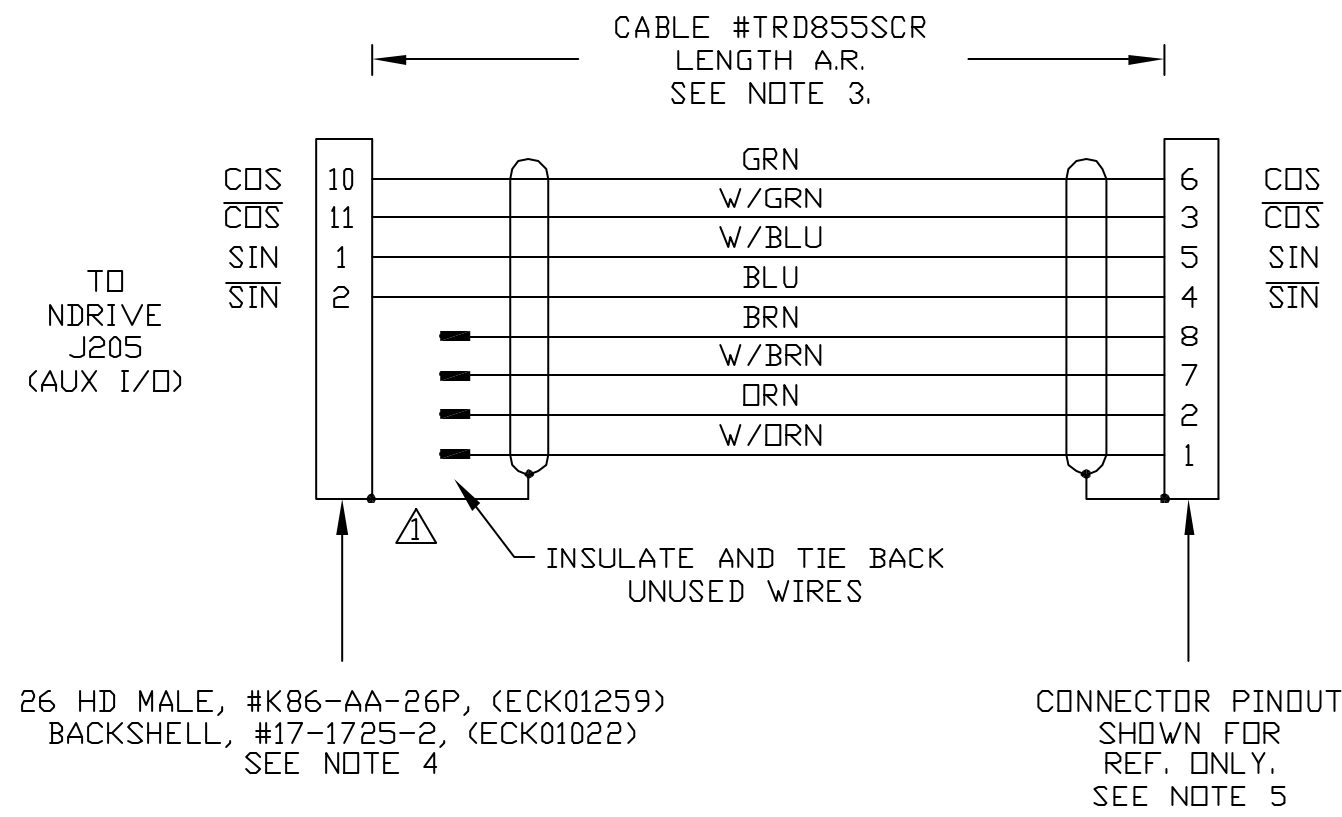
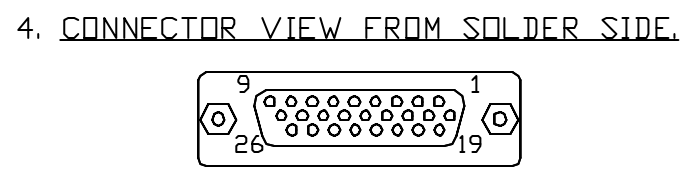


REVISIONS				
SYM.	ZONE	DESCRIPTION	DATE	APPROVAL



3. CABLE LENGTH  
CAUTION, CABLE LENGTHS (XX) ARE IN DECIMETERS  
EXAMPLE: C19892-3  
3 = 3 DECIMETERS (300mm) = 1FT.



PROPRIETARY INFORMATION  
THIS DRAWING IS THE PROPERTY OF AEROTECH, INC. AND IS SUBMITTED IN CONFIDENCE AND SHALL NOT BE REPRODUCED NOR COPIED NOR DISCLOSED TO OTHERS UNDER PENALTY OF LAW.



AEROTECH, INC. 101 Zeta Drive  
Pittsburgh, PA. 15238  
(412)963-7470 TWX710-795-3125

TOLERANCES ON		
FRACTIONS	DECIMALS	ANGLES
0 TO 6 ± 1/32	.XX ± .01	± 0-30'
OVER 6 ± 1/16	.XXX ± .005	

RMS FINISH  EXCEPT AS NOTED

NDRIVE  
PSO ENCODER CABLE  
(AUX I/O TO SSINET2)

DRAWN	EJB	3/28/03	PART CODE	SIZE	REV.
CHECKED	AGS	3/28/03	C19892-XX	B	-
APPD.	AGS	3/28/03	SCALE NTS	FILE NAME 630B1989-201.DWG	SHEET 1 of 1