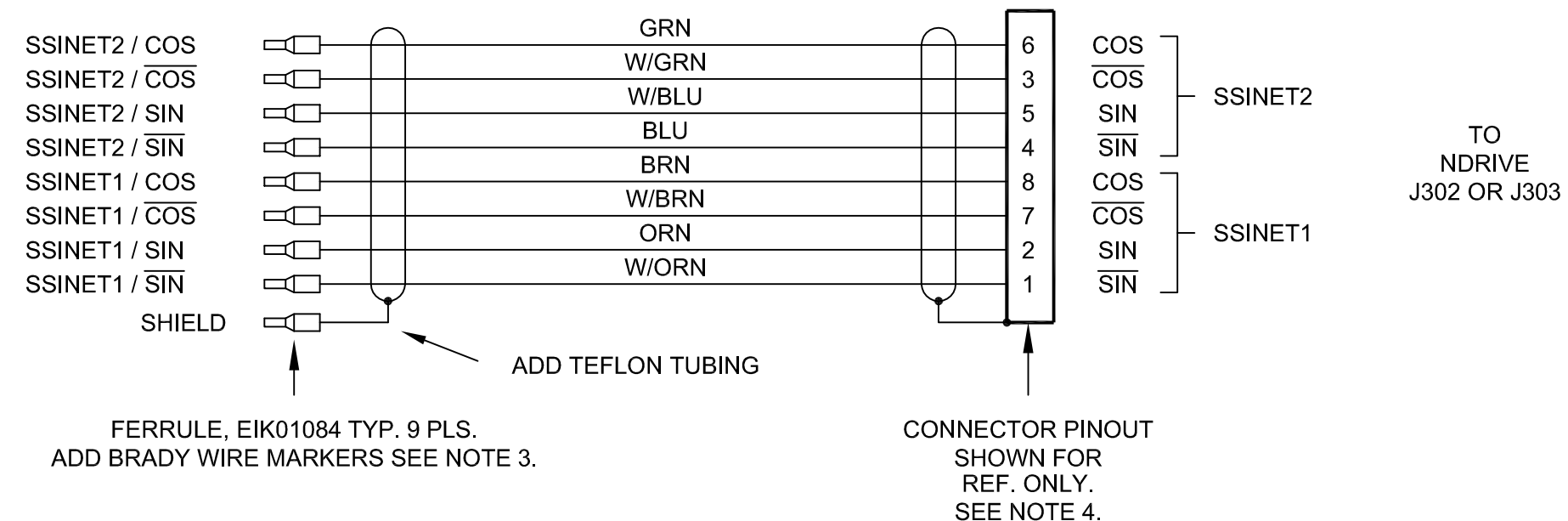
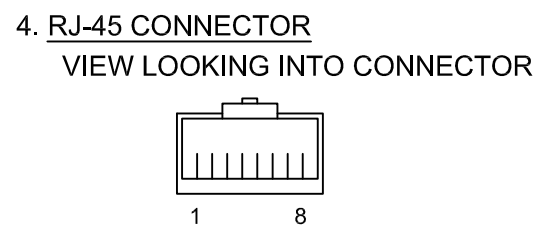
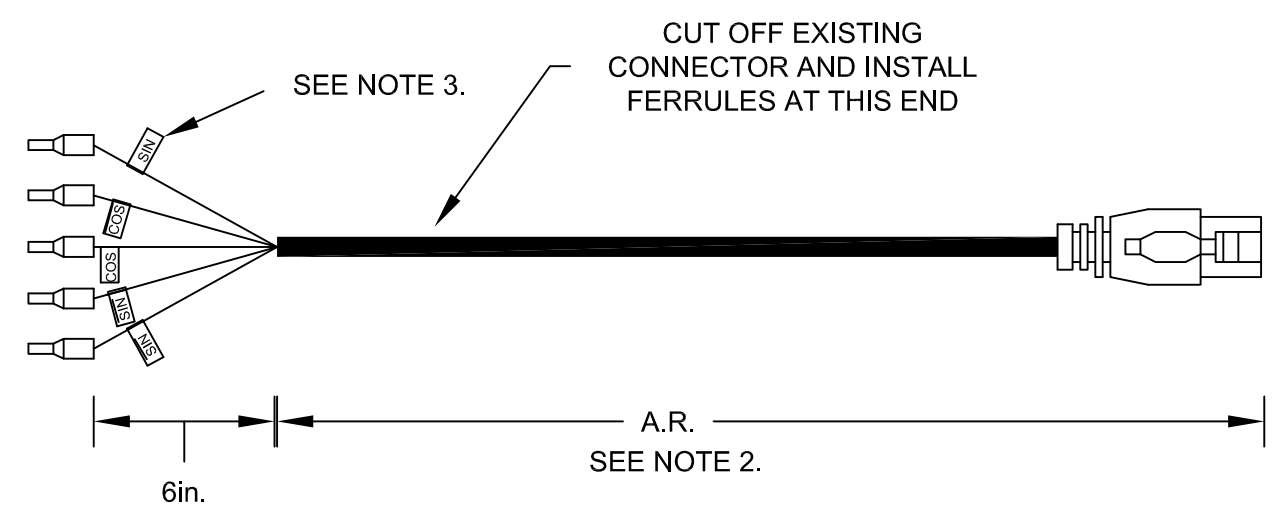
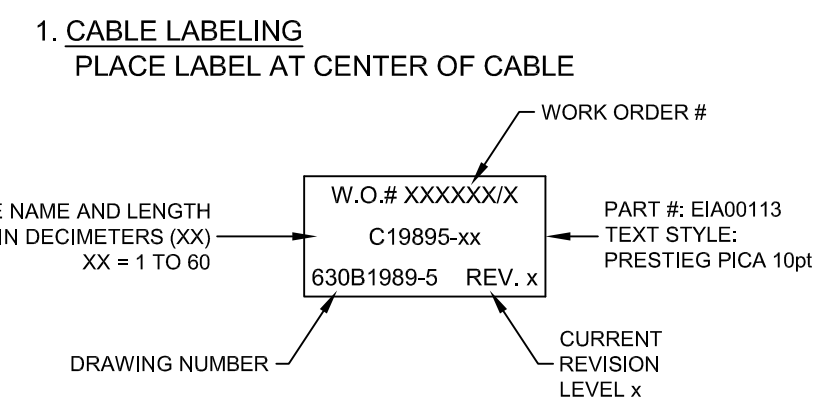


REVISIONS			
SYM.	DESCRIPTION	DATE	APPROVAL
A	ADDED ECN 8251	11/5/04	EJB



TO  
NDRIVE  
J302 OR J303



2. CABLE LENGTH  
CAUTION, CABLE LENGTHS (XX) ARE IN DECIMETERS  
EXAMPLE: C19895-3  
3 = 3 DECIMETERS (300mm) = 1FT.
3. WIRE MARKERS  
FLAG WIRES WITH BRADY LABELS

PROPRIETARY INFORMATION THIS DRAWING IS THE PROPERTY OF AEROTECH, INC. AND IS SUBMITTED IN CONFIDENCE AND SHALL NOT BE REPRODUCED NOR COPIED NOR DISCLOSED TO OTHERS UNDER PENALTY OF LAW.			AEROTECH, INC. 101 Zeta Drive Pittsburgh, PA. 15238 (412)963-7470 TWX710-795-3125		
TOLERANCES ON FRACTIONS    DECIMALS    ANGLES 0 TO 6 ±1/32    .XX ±01    ± 0-30' OVER 6 ±1/16    .XXX ±005			<h1>NDRIVE PSO ENCODER CABLE (SSINET TO FLYING LEADS)</h1>		
RMS FINISH    EXCEPT AS NOTED					
DRAWN	EJB	3/28/03	PART CODE	SIZE	REV.
CHECKED	AGS	3/28/03	C19895	B	A
APPD.	AGS	3/28/03	SCALE NTS	FILE NAME 630B1989-5.DWG	SHEET 1 of 1
			<h2>630B1989-5</h2>		