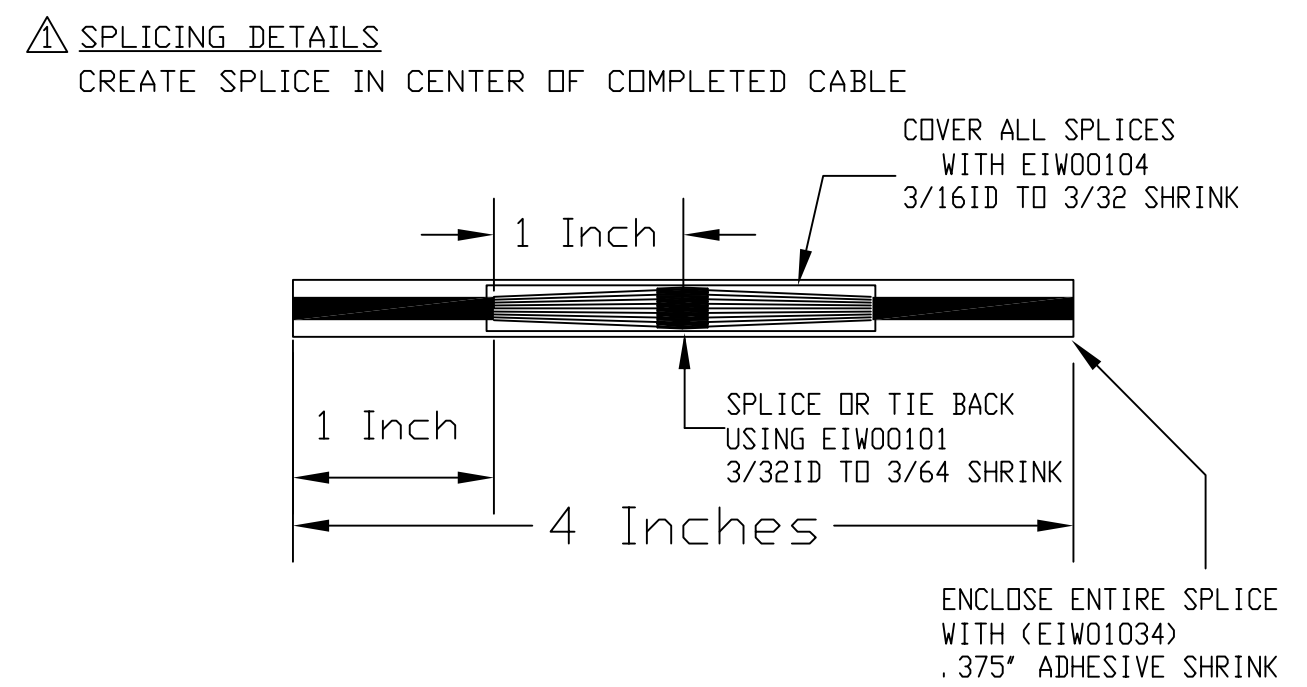
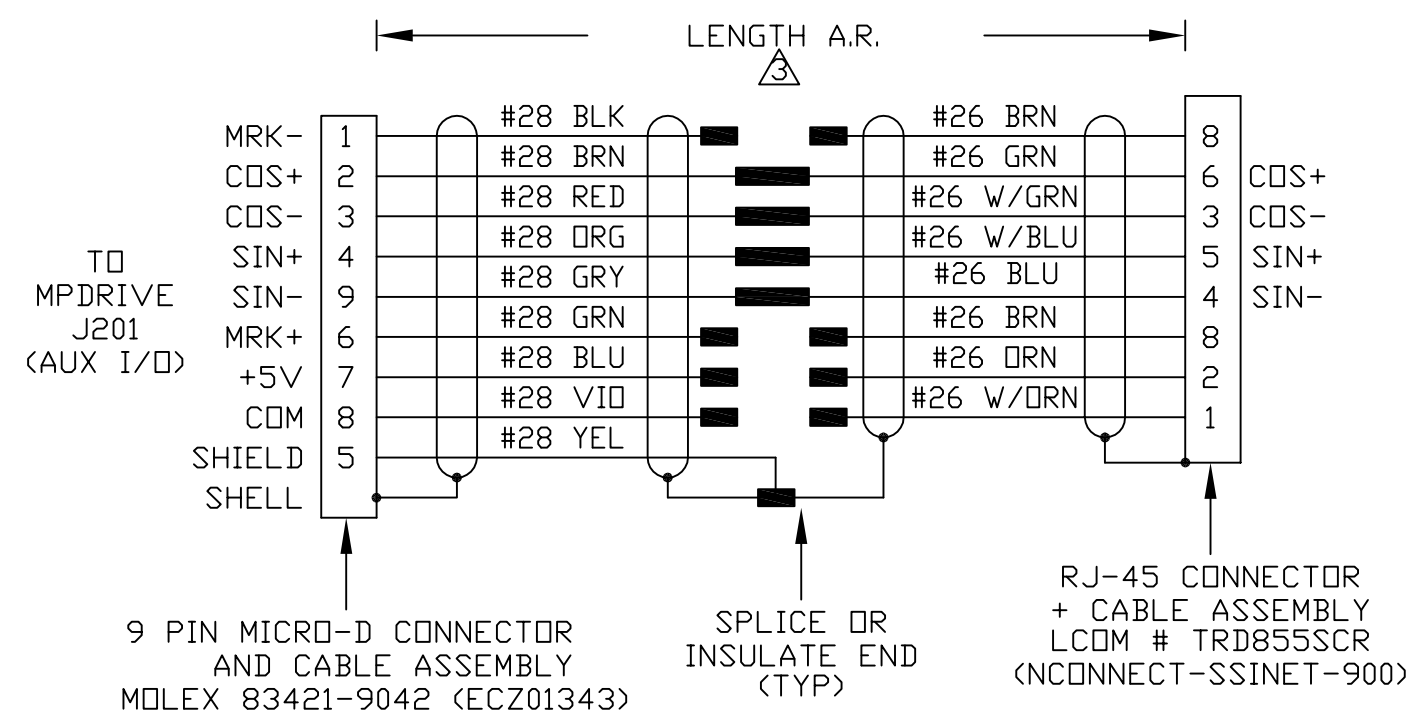
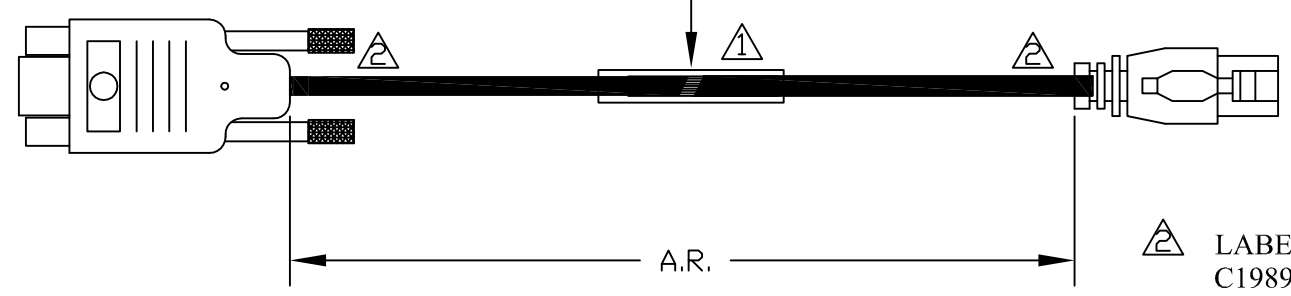


REVISIONS				
SYM.	ZONE	DESCRIPTION	DATE	APPROVAL

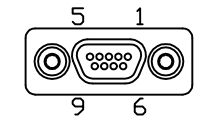


CABLE #TRD855SCR
CUT OFF EXISTING CONNECTOR AND SPLICE
9 PIN MICRO-D ASSEMBLY
AT CENTER OF COMPLETED CABLE

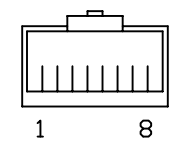


△ CABLE LENGTH
CAUTION, CABLE LENGTHS (XX) ARE IN DECIMETERS
EXAMPLE: C19899-3
3 = 3 DECIMETERS (300mm) = 1FT.

△ CONNECTOR VIEW FROM MATING SIDE.



△ RJ-45 CONNECTOR
VIEW LOOKING INTO CONNECTOR



P/N: C19898-XX
W/N: 1 thru X
DWG: 630B1989-9 REV.X

CABLE WRAP LABEL: EIA00113

PROPRIETARY INFORMATION
THIS DRAWING IS THE PROPERTY OF AEROTECH, INC. AND IS SUBMITTED IN CONFIDENCE AND SHALL NOT BE REPRODUCED NOR COPIED NOR DISCLOSED TO OTHERS UNDER PENALTY OF LAW.

TOLERANCES ON		
FRACTIONS	DECIMALS	ANGLES
0 TO 6 ± 1/32	.XX ± .01	± 0-30'
OVER 6 ± 1/16	.XXX ± .005	

RMS FINISH	✓	EXCEPT AS NOTED
DRAWN	TES	7/20/10
CHECKED	AGS	7/20/10
APPD.	AGS	7/20/10

AEROTECH ® AEROTECH, INC. 101 Zeta Drive
Pittsburgh, PA. 15238
(412)963-7470 TWX710-795-3125

MPDRIVE
PSO ENCODER CABLE
(AUX I/O TO SSINET2)

PART CODE	SIZE	REV.
C19899-XX	B	—
630B1989-9		

SCALE NTS FILE NAME 630B1989-901.dwg SHEET 1 of 1