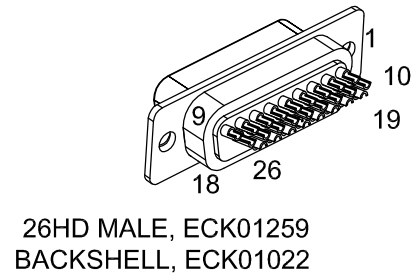
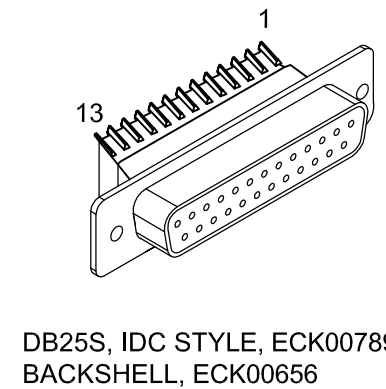
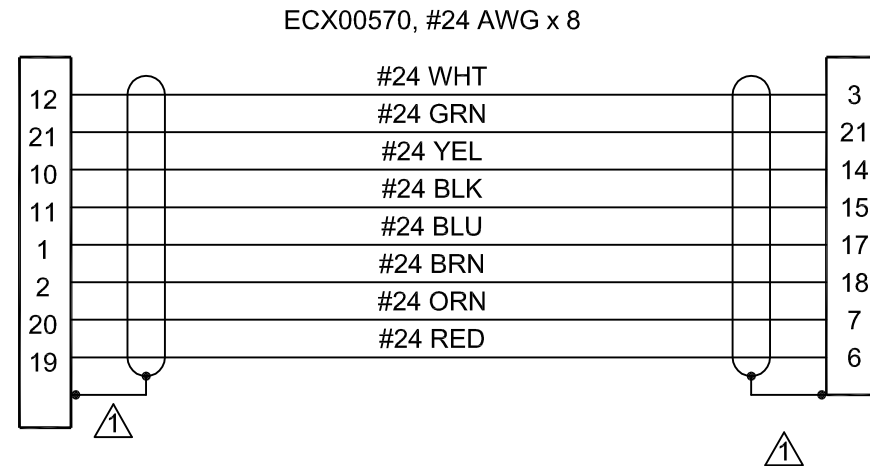


REVISIONS

REV.	DESCRIPTION	DATE	DRAWN
A	ECN 8406	1/21/05	JAB
B	ADDED ECO 69	8/17/17	JFM

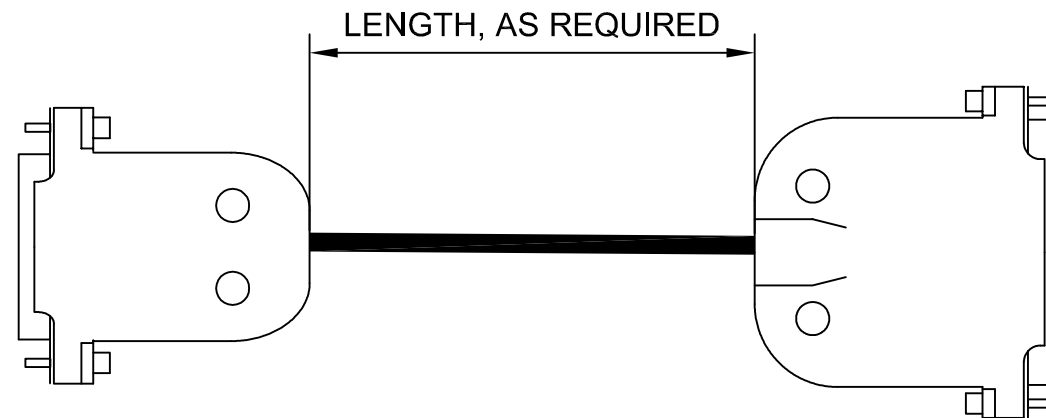
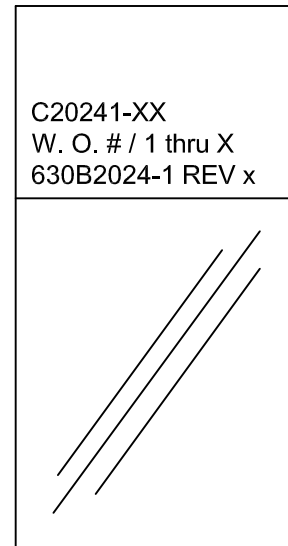


+5V
COMMON
COSINE
COSINE
SINE
SINE
MARKER
MARKER



2. CABLE LABELING

LABELS:
2 REQUIRED,
(1 AT EACH END)

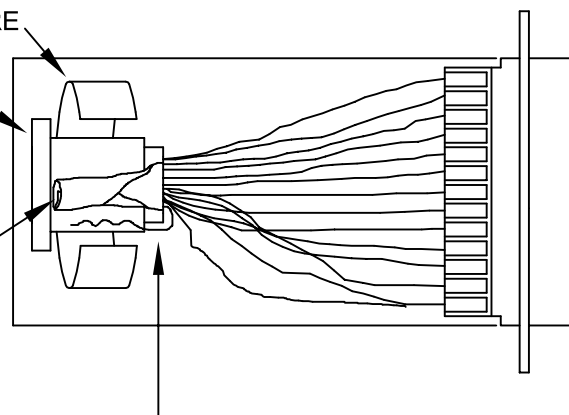


SHIELD TERMINATION

WRAP 6" COPPER FOIL, EIA00281
OVER GROMMET, SHIELD & DRAIN WIRE

GROMMET SUPPLIED
W/BACKSHELL

FOLD BACK FOIL SHIELD
SUCH THAT THE SILVER
PART IS OUTSIDE



FOLD BACK FOIL SHIELD AND DRAIN WIRE

PROPRIETARY INFORMATION
THIS DRAWING IS THE PROPERTY
OF AEROTECH, INC. AND IS
SUBMITTED IN CONFIDENCE AND
SHALL NOT BE REPRODUCED NOR
COPIED NOR DISCLOSED TO OTHERS
UNDER PENALTY OF LAW.



AEROTECH, INC. 101 Zeta Drive
Pittsburgh, PA. 15238
(412)963-7470
www.aerotech.com

TOLERANCES ON		
FRACTIONS	DECIMALS	ANGLES
0 TO 6 ±1/32	.XX ±01	± 0-30'
OVER 6 ±1/16	.XXX ±005	

RMS FINISH EXCEPT AS NOTED

ENCODER FEEDBACK CABLE
ENC FB-26HD-25D-MAX36DM

DRAWN	JAB	12/24/03	PART CODE	SIZE	REV.
CHECKED	EJB	12/24/03	C20241	B	B
APPD.	EJB	12/24/03	SCALE NTS	FILE NAME	SHEET
				630B2024-1	1 OF 1

630B2024-1