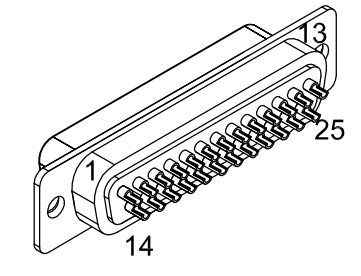
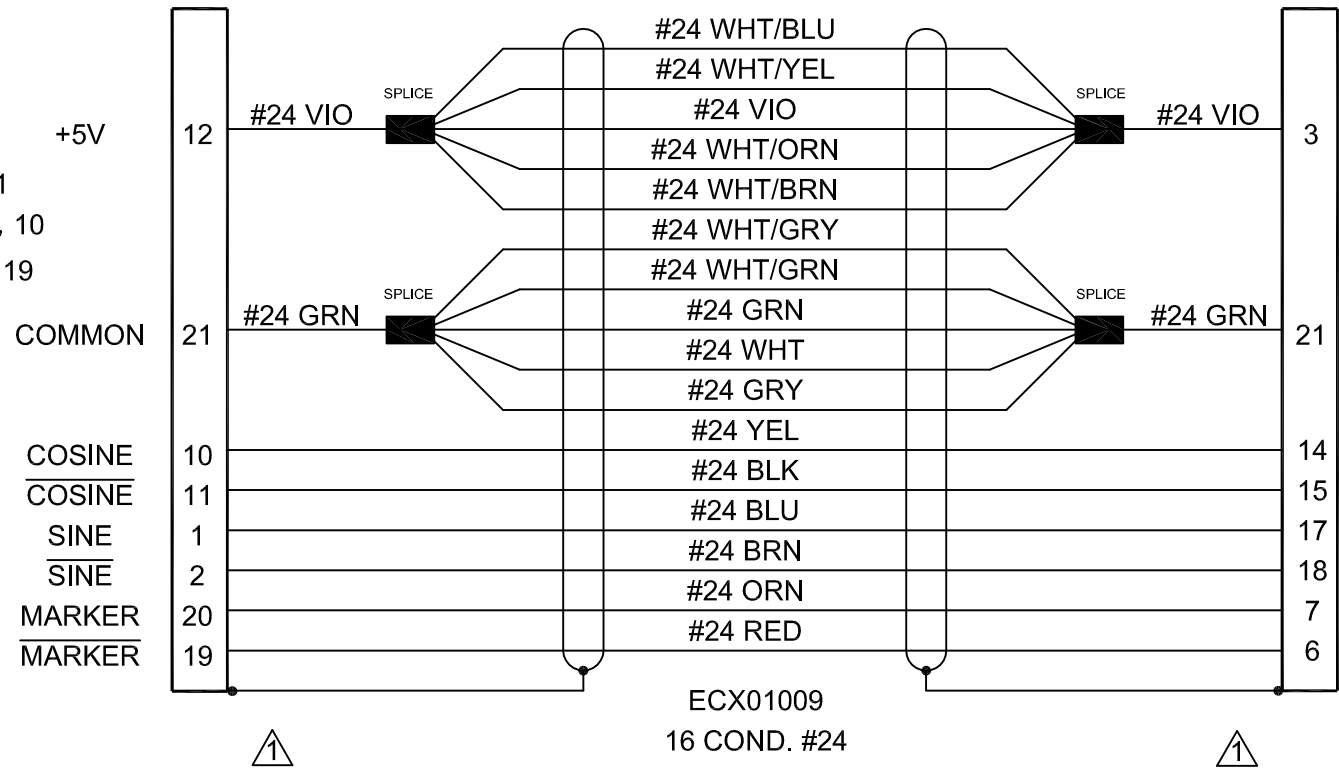
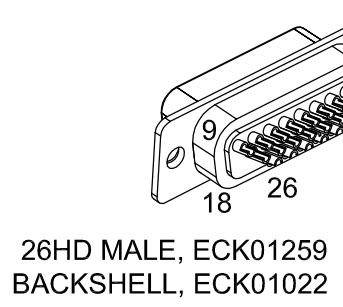
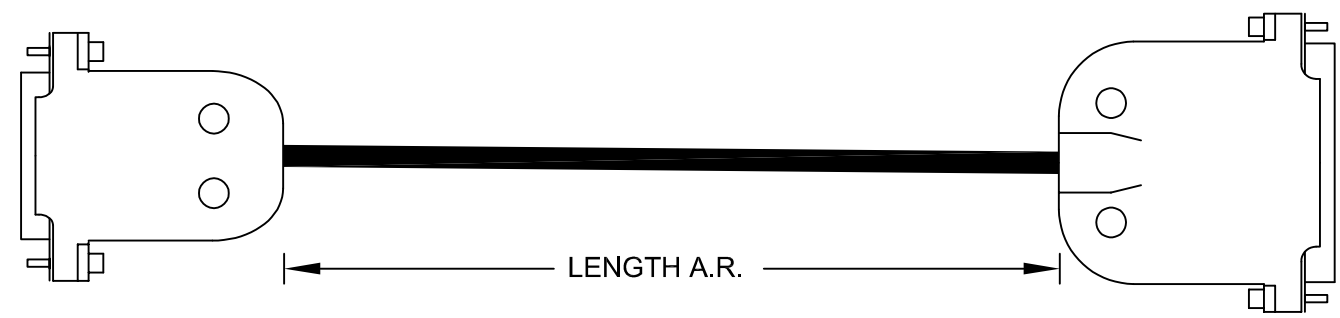
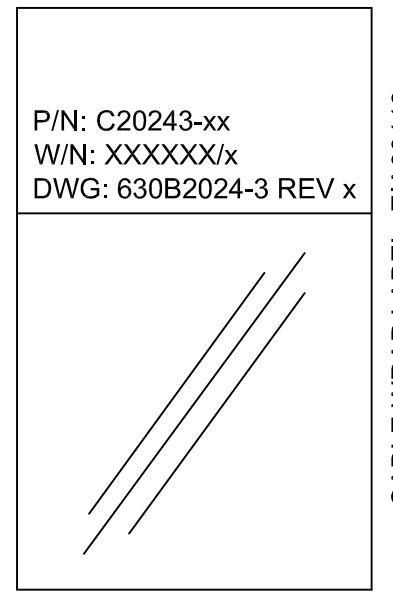


REVISIONS			
REV.	DESCRIPTION	DATE	DRAWN
A	ADDED ECO 69	8/24/2017	JFM



2. CABLE LABELING

LABELS:  
2 REQUIRED,  
( 1 AT EACH END )



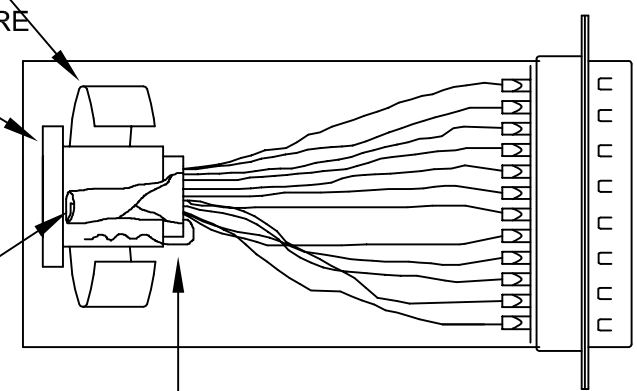
SHIELD TERMINATION

WRAP 6" COPPER FOIL (EIA00281)  
OVER GROMMET, SHIELD & DRAIN WIRE

GROMMET SUPPLIED  
W/BACKSHELL

FOLD BACK FOIL SHIELD  
SUCH THAT THE SILVER  
PART IS OUTSIDE

FOLD BACK SHIELD



PROPRIETARY INFORMATION  
THIS DRAWING IS THE PROPERTY  
OF AEROTECH, INC. AND IS  
SUBMITTED IN CONFIDENCE AND  
SHALL NOT BE REPRODUCED NOR  
COPIED NOR DISCLOSED TO OTHERS  
UNDER PENALTY OF LAW.



AEROTECH, INC. 101 Zeta Drive  
Pittsburgh, PA. 15238  
(412)963-7470  
www.aerotech.com

TOLERANCES ON		
FRACTIONS	DECIMALS	ANGLES
0 TO 6 ±1/32	.XX ±0.01	± 0-30'
OVER 6 ±1/16	.XXX ±0.005	

RMS FINISH  EXCEPT AS NOTED

DRAWN	TES	3/22/2012
CHECKED	AGS	3/22/2012
APPD.	AGS	3/22/2012

PART CODE <b>C20243</b>		SIZE <b>B</b>	<b>630B2024-3</b>		REV. <b>A</b>
SCALE NTS	FILE NAME	630B2024-3.DWG		SHEET 1 OF 1	