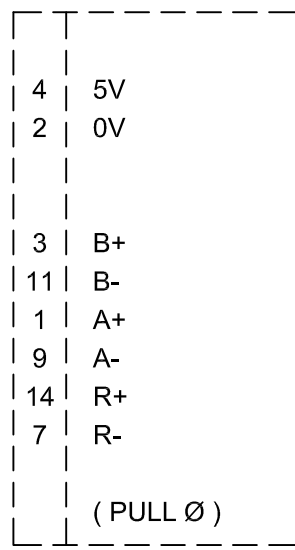
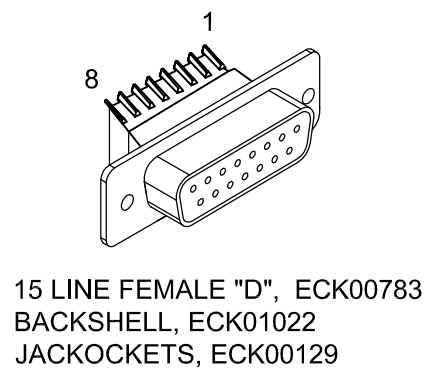
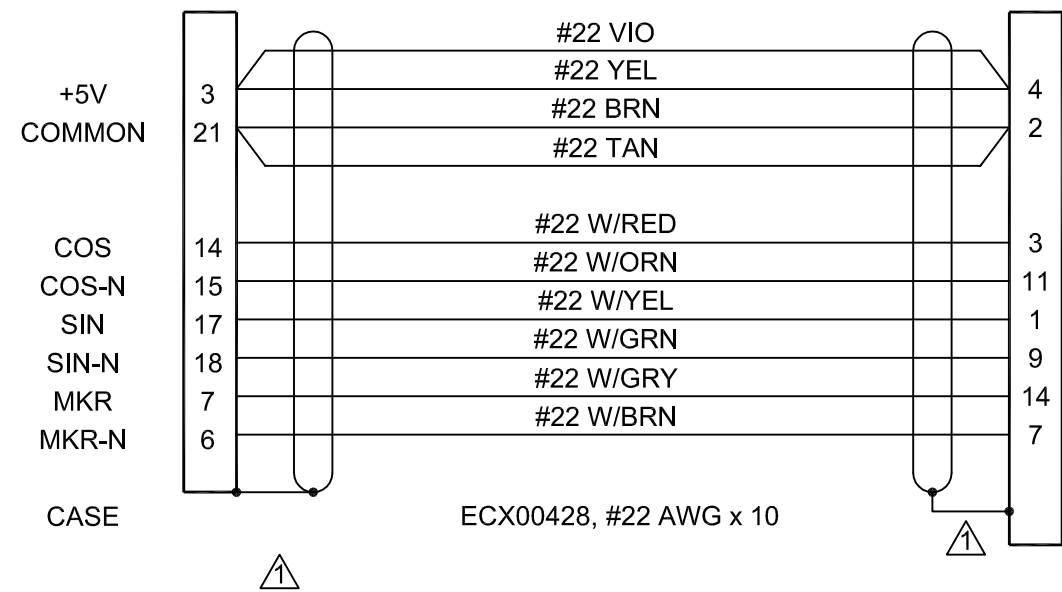
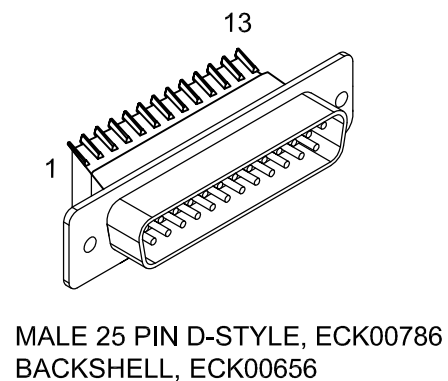
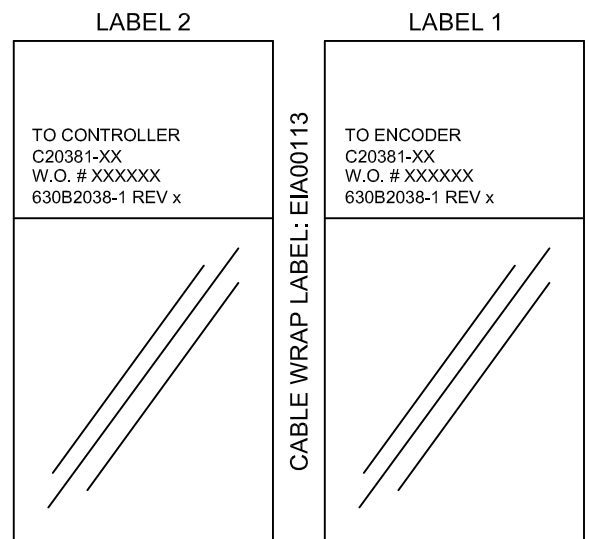
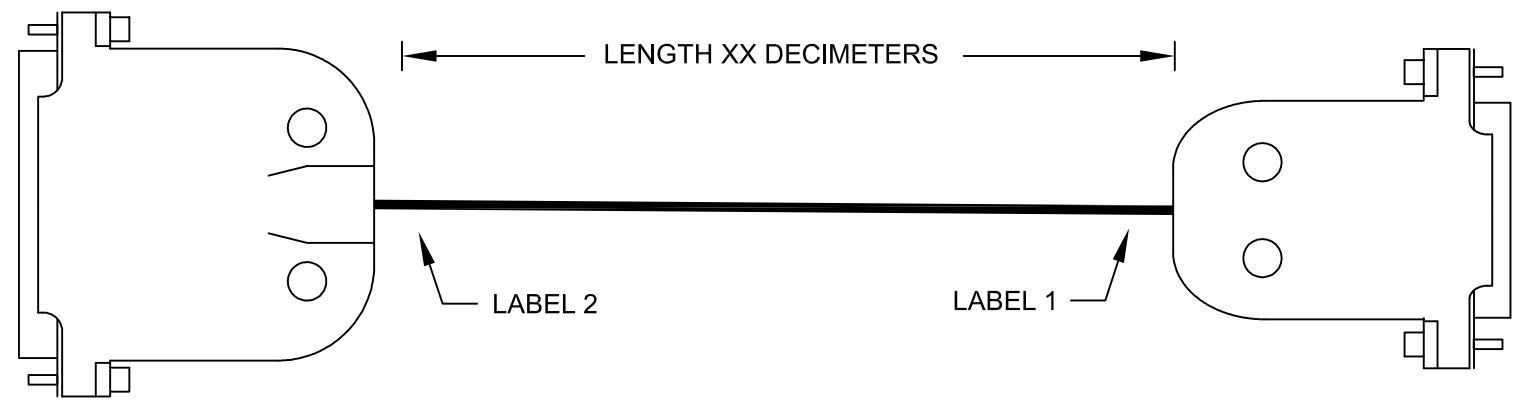


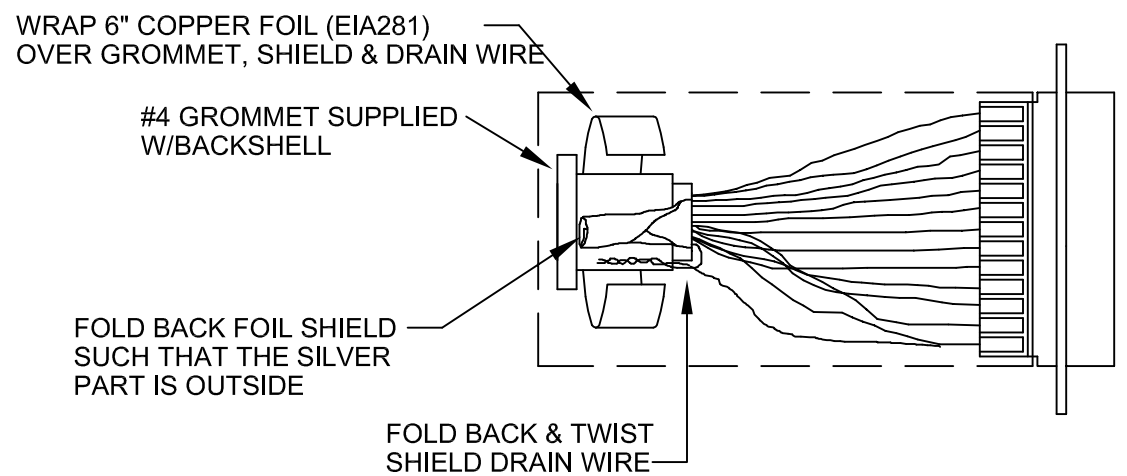
REVISIONS			
REV.	DESCRIPTION	DATE	DRAWN
A	ADDED ECO 69	8/22/2017	JFM



ENCODER SHOWN FOR REFERENCE



**CONNECTOR SHIELDING**



PROPRIETARY INFORMATION THIS DRAWING IS THE PROPERTY OF AEROTECH, INC. AND IS SUBMITTED IN CONFIDENCE AND SHALL NOT BE REPRODUCED NOR COPIED NOR DISCLOSED TO OTHERS UNDER PENALTY OF LAW.			AEROTECH, INC. 101 Zeta Drive Pittsburgh, PA. 15238 412-963-7470 FAX: 412-963-7459 www.AEROTECH.com	
TOLERANCES ON FRACTIONS DECIMALS ANGLES 0 TO 6 1/32 .XX ±01 ± 0-30' OVER 6 1/16 .XXX ±.005			<b>ENCODER EXTENSION CABLE</b> (PULL PHASING) CABLE: ENC FB-25D-15D-APE-MAX116DM	
RMS FINISH	EXCEPT AS NOTED	PART CODE	SIZE	REV.
DRAWN	R ROXBY	5/27/04	C20381	B
CHECKED	JLD	5/27/04	630B2038-1	A
APPD.	JLD	5/27/04	SCALE N/A	FILE NAME 630B2038-1.DWG
		SHEET	1 OF 1	