

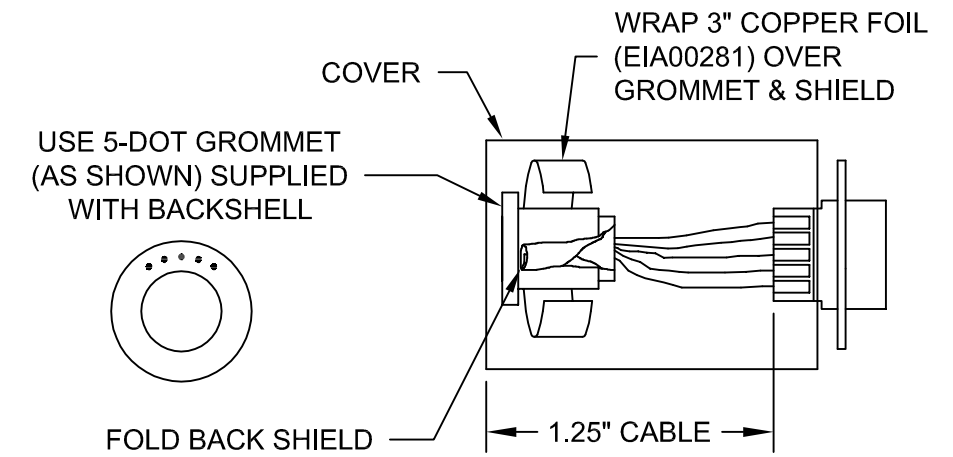
REVISIONS

REV.	DESCRIPTION	DATE	DRAWN
A	INITIAL REV.	12/18	AF



NOTES:

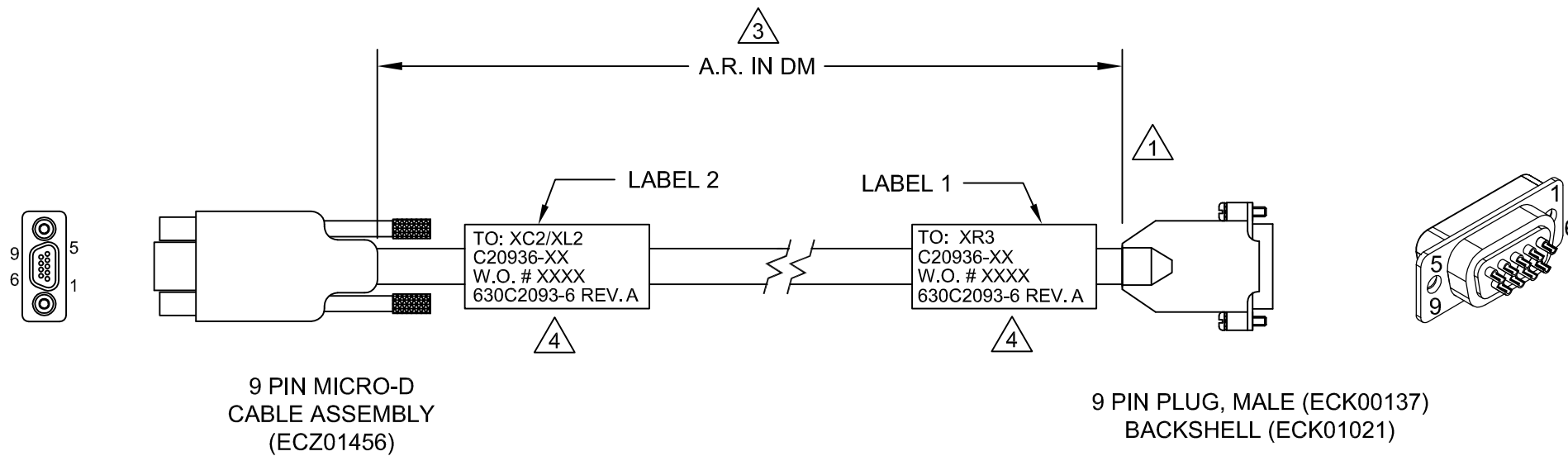
1) **CONNECTOR SHIELDING**



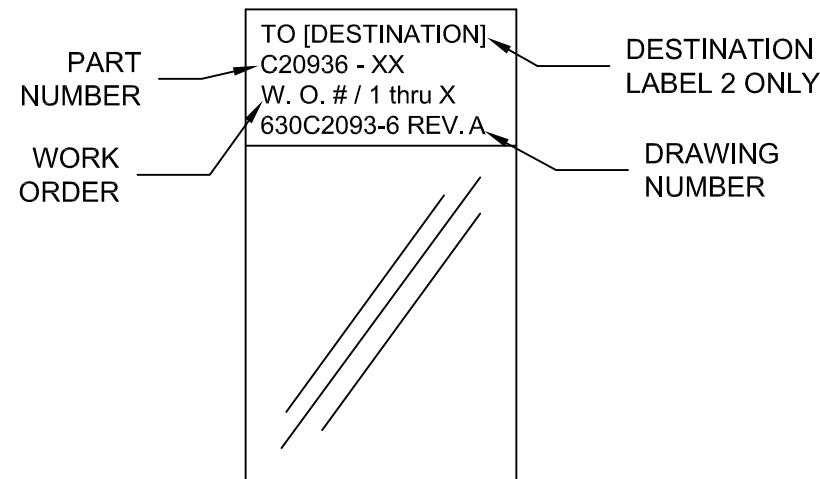
2.) ALL TOLERANCES ARE +/- .25".

3) **CABLE LENGTH**

CAUTION, CABLE LENGTHS (XX) ARE IN DECIMETERS
EXAMPLE: C20936-5; 5 = 5 DECIMETERS (500mm) = 1.5 FT



4) **CABLE WRAP LABEL (EIA00113):**
2 REQUIRED (1 AT EACH END)
APPLY LABELS IN FLAG FASHION
SO THAT ALL TEXT IS VISIBLE



PROPRIETARY INFORMATION
THIS DRAWING IS THE PROPERTY
OF AEROTECH, INC. AND IS
SUBMITTED IN CONFIDENCE AND
SHALL NOT BE REPRODUCED NOR
COPIED NOR DISCLOSED TO OTHERS
UNDER PENALTY OF LAW.



AEROTECH, INC. 101 Zeta Drive
Pittsburgh, PA. 15238
www.aerotech.com

TOLERANCES ON		
FRACTIONS	DECIMALS	ANGLES
0 TO 6 ± 1/32	.XX ± .01	± 0-30'
OVER 6 ± 1/16	.XXX ± .005	

RMS FINISH EXCEPT AS NOTED

PSO CABLE - XC2/XL2 TO XR3
CABLE: ENC FB-9MDT-9D-MAX17DM

DRAWN	AF	12/18	PART CODE	SIZE	REV.
CHECKED	ZGK	12/18	C20936-XX	B	A
APPD.	JFM, NR	12/18	630B2093-6		
SCALE NTS			FILE NAME 630B2093-6SHT1.dwg	SHEET	1 OF 1