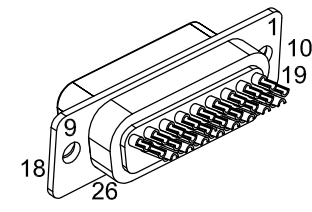


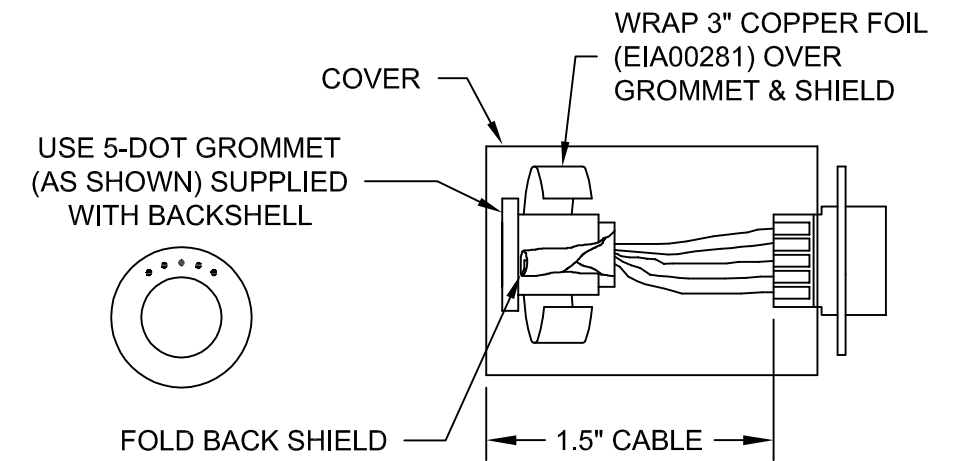
REVISIONS

REV.	DESCRIPTION	DATE	DRAWN
A	INITIAL REV.	12/18	AF



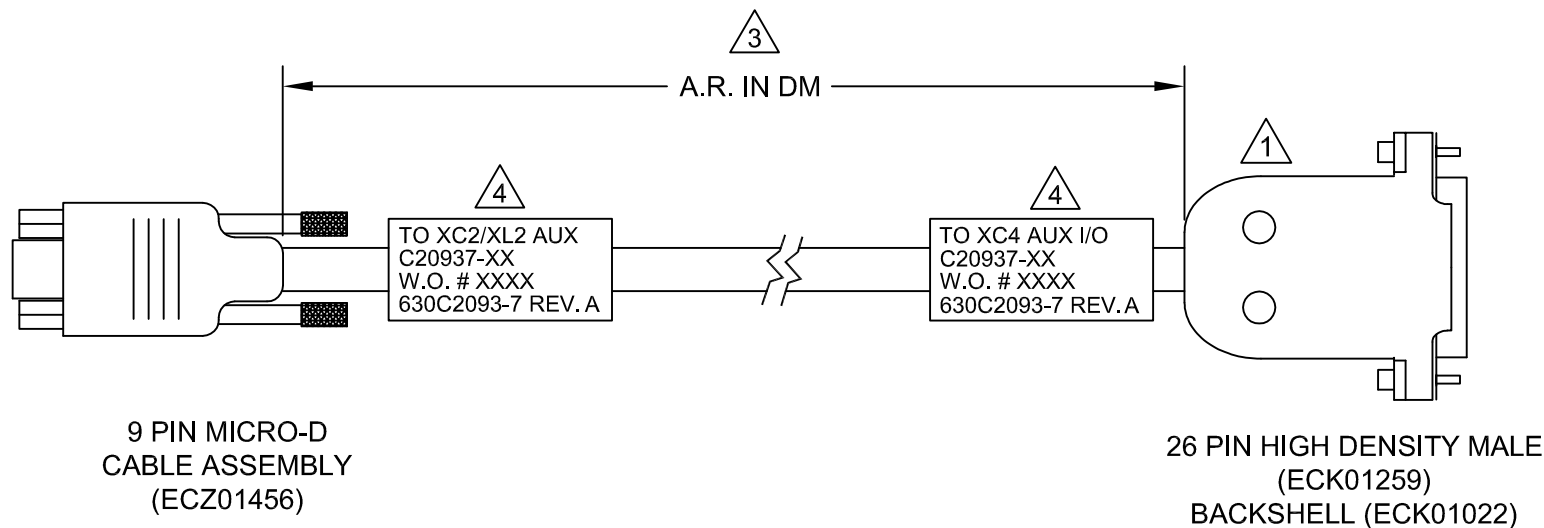
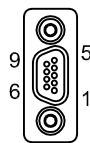
NOTES:

1) CONNECTOR SHIELDING

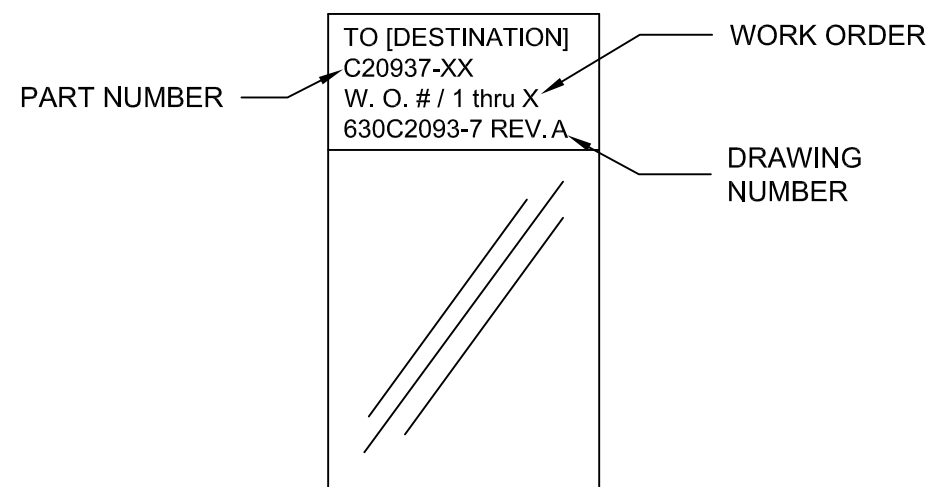


2.) ALL TOLERANCES ARE +/- .25".

3) CABLE LENGTH  
CAUTION, CABLE LENGTHS (XX) ARE IN DECIMETERS  
EXAMPLE: C20937-5; 5 = 5 DECIMETERS (500mm) = 1.5 FT



4) CABLE WRAP LABEL (EIA00113):  
2 REQUIRED (1 AT EACH END)  
APPLY LABELS IN FLAG FASHION  
SO THAT ALL TEXT IS VISIBLE



PROPRIETARY INFORMATION  
THIS DRAWING IS THE PROPERTY  
OF AEROTECH, INC. AND IS  
SUBMITTED IN CONFIDENCE AND  
SHALL NOT BE REPRODUCED NOR  
COPIED NOR DISCLOSED TO OTHERS  
UNDER PENALTY OF LAW.

**AEROTECH**® AEROTECH, INC. 101 Zeta Drive  
Pittsburgh, PA. 15238  
www.aerotech.com

TOLERANCES ON		
FRACTIONS	DECIMALS	ANGLES
0 TO 6 ± 1/32	.XX ± .01	± 0-30'
OVER 6 ± 1/16	.XXX ± .005	

RMS FINISH  EXCEPT AS NOTED

**PSO CABLE - XC2/XL2 TO/FROM XC4  
CABLE: 9MDT-26HD-MAX17DM**

DRAWN	AF	12/18
CHECKED	ZGK	12/18
APPD.	JFM, NR	12/18

PART CODE	SIZE	REV.
C20937-XX	B	A
<b>630B2093-7</b>		
SCALE NTS	FILE NAME 630B2093-7SHT1.dwg	SHEET 1 OF 1