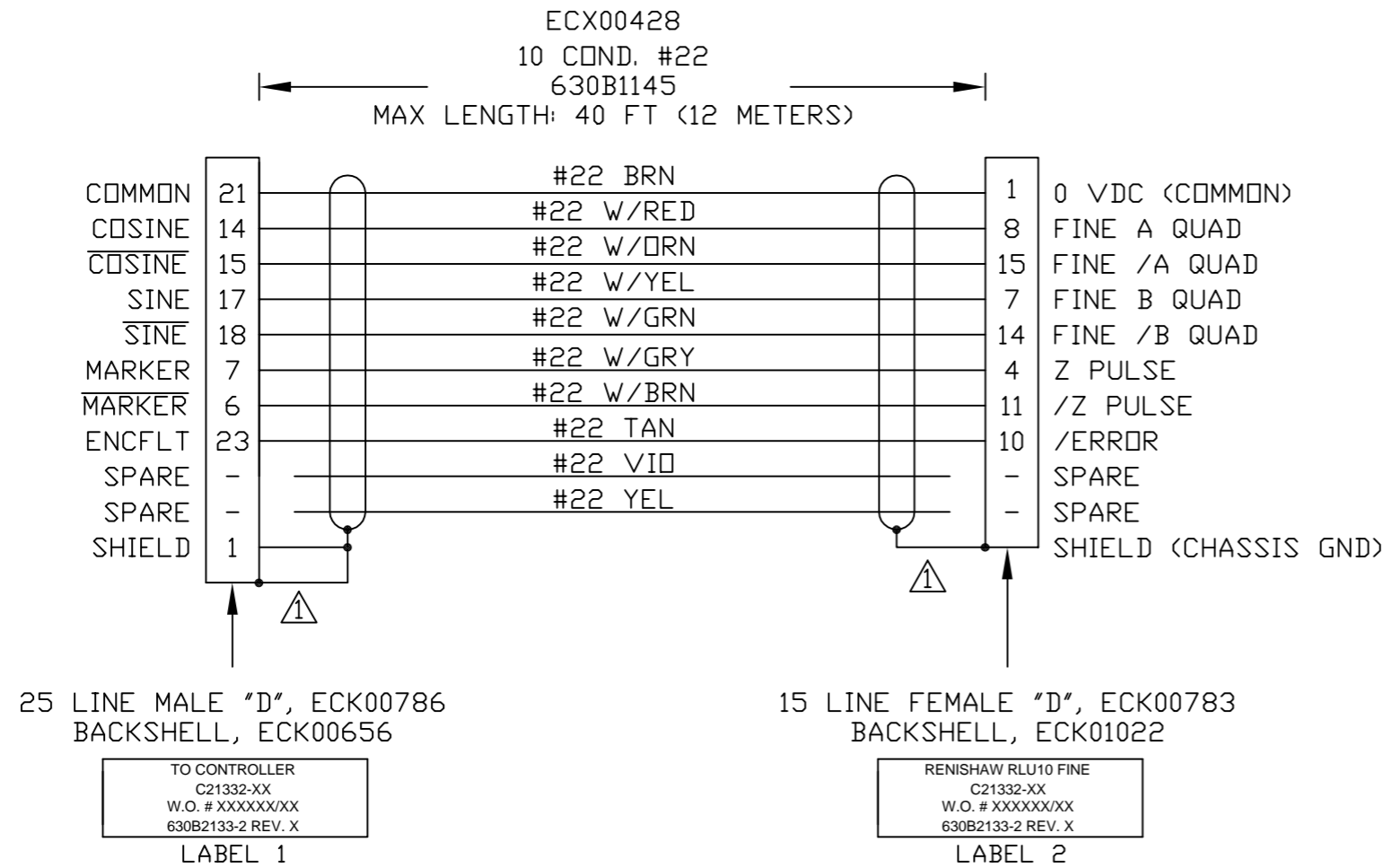
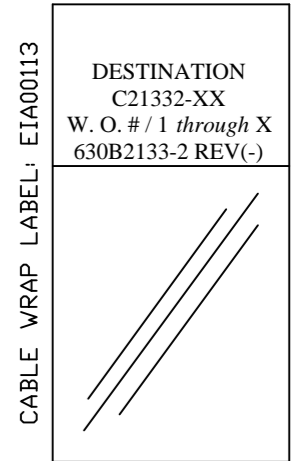


REVISIONS				
SYM.	ZONE	DESCRIPTION	DATE	APPROVAL



LABELS FOR  
C21332 CABLES:  
(2) REQUIRED,  
(1 AT EACH END)



 CONNECTOR SHIELDING

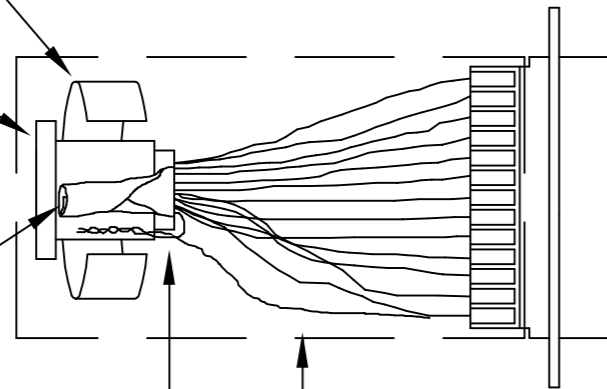
WRAP 6" COPPER FOIL (EIA281)  
OVER GROMMET, SHIELD & DRAIN WIRE

#4 GROMMET SUPPLIED  
W/BACKSHELL

FOLD BACK FOIL SHIELD  
SUCH THAT THE SILVER  
PART IS OUTSIDE

FOLD BACK & TWIST  
SHIELD DRAIN WIRE  
& WIRE TO PIN 1  
IF REQUIRED.

COVER



**PROPRIETARY INFORMATION**  
THIS DRAWING IS THE PROPERTY  
OF AEROTECH, INC. AND IS  
SUBMITTED IN CONFIDENCE AND  
SHALL NOT BE REPRODUCED NOR  
COPIED NOR DISCLOSED TO OTHERS  
UNDER PENALTY OF LAW.

TOLERANCES ON  
FRACTIONS    DECIMALS    ANGLES  
0 TO 6 ± 1/32    .XX ± .01    ± 0-30'  
OVER 6 ± 1/16    .XXX ± .005

RMS FINISH    EXCEPT AS NOTED

DRAWN	EJB	1/12/06
CHECKED	AGS	1/12/06
APPD.	AGS	1/12/06

PART CODE:

C21332-XX	C21332-10 TO 120	LENGTHS 1 TO 12 MTR
-----------	------------------	---------------------



AEROTECH, INC. 101 Zeta Drive  
Pittsburgh, PA. 15238  
(412)963-7470  
www.aerotech.com

**RENISHAW RLU10 LASER ENCODER  
FINE FEEDBACK CABLE**  
CABLE: LAS FB-25DU-15DU-RLU10-FINE-MAX120DM

PART CODE	SIZE	REV.
SEE ABOVE	B	-
630B2133-2		
SCALE -	FILE NAME 630B2133-201.DWG	SHEET 1 OF 1