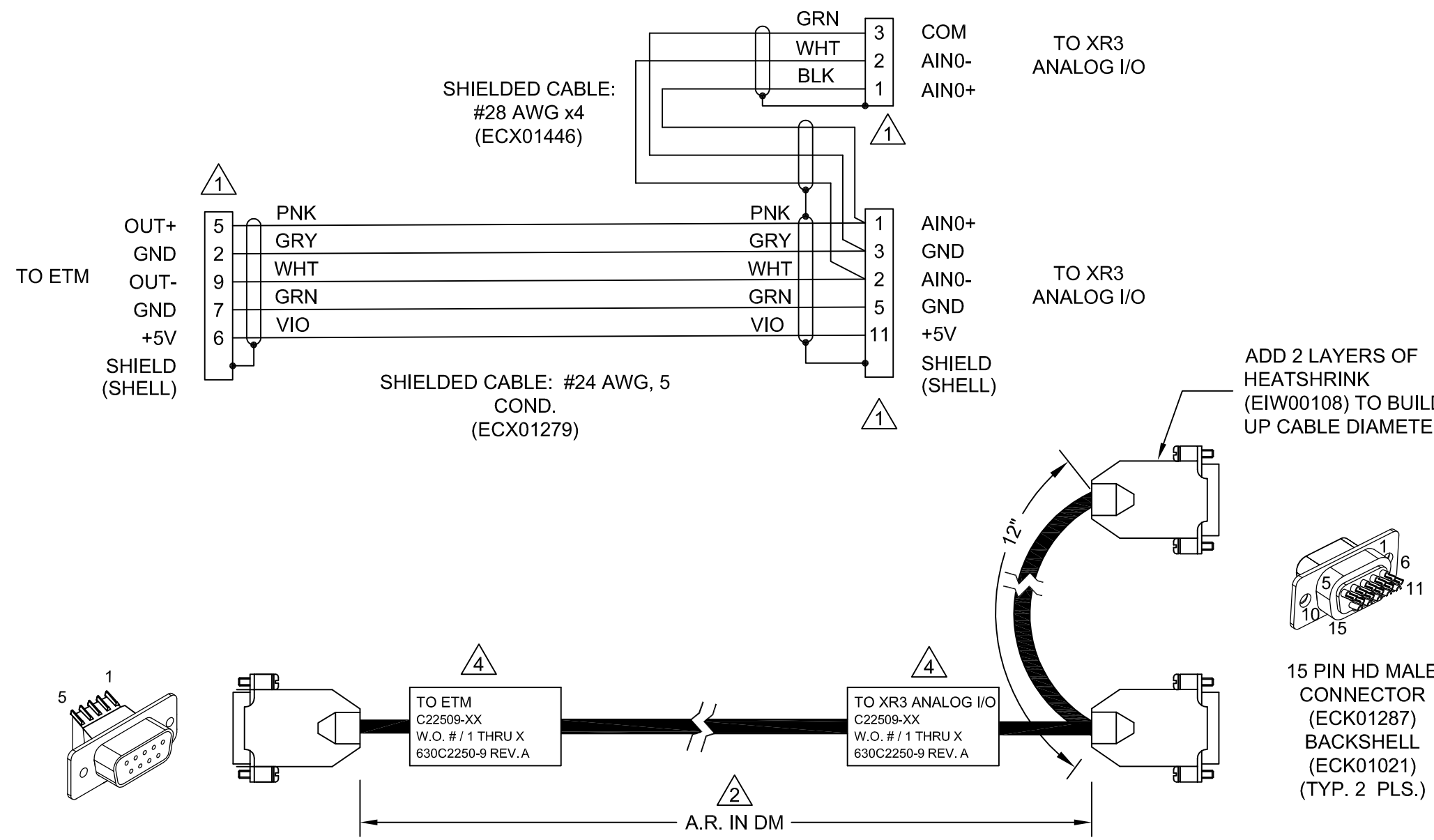
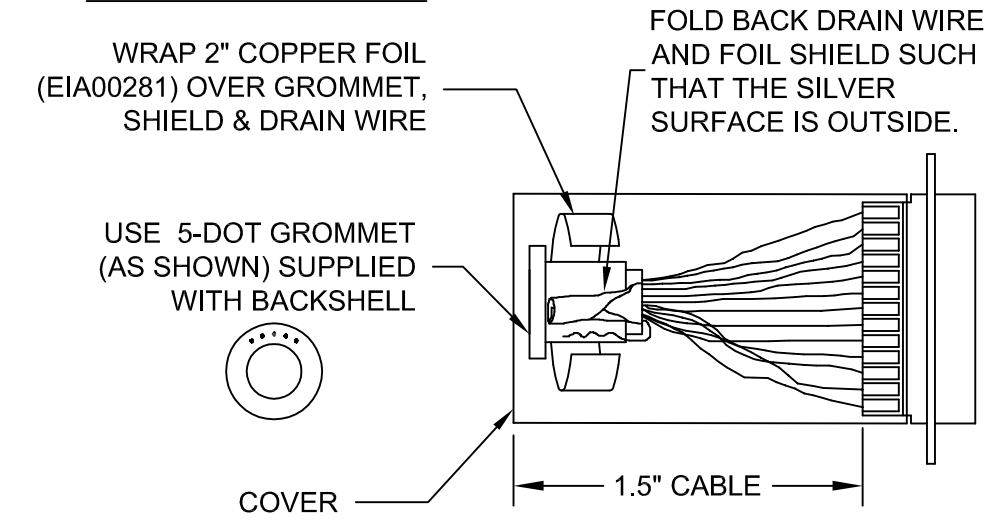


REVISIONS			
REV.	DESCRIPTION	DATE	DRAWN
A	INITIAL REV.	12/18	AF



NOTES:

CONNECTOR SHIELDING:



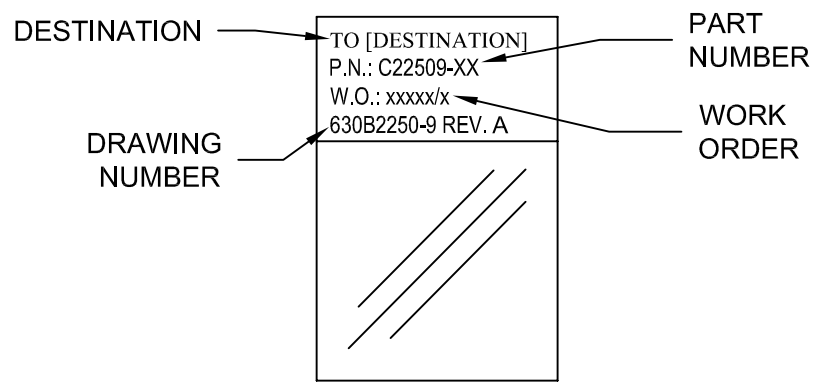
CABLE LENGTH


CABLE LENGTHS (xx) ARE IN DECIMETERS
EXAMPLE: FOR C22509-30, 30 = 30 DECIMETERS (3 METERS)

3.) ALL TOLERANCES ARE +/- .25".

DE9S CONNECTOR (ECK00781) BACKSHELL (ECK01021)

CABLE WRAP LABEL (EIA00113):
2 REQUIRED (1 AT EACH END). APPLY LABELS IN FLAG FASHION SO THAT ALL TEXT IS VISIBLE.



PROPRIETARY INFORMATION THIS DRAWING IS THE PROPERTY OF AEROTECH, INC. AND IS SUBMITTED IN CONFIDENCE AND SHALL NOT BE REPRODUCED NOR COPIED NOR DISCLOSED TO OTHERS UNDER PENALTY OF LAW.			 AEROTECH, INC. 101 Zeta Drive Pittsburgh, PA. 15238 412 963-7470 WWW.AEROTECH.COM		
TOLERANCES ON FRACTIONS DECIMALS ANGLES 0 TO 6 ±1/32 .XX ±01 ± 0-30' OVER 6 ±1/16 .XXX ±005					
RMS FINISH ✓ EXCEPT AS NOTED			XR3 ANALOG I/O TO ETM (GANTRY MODE) ETM-15HD 15HD-9D-MAX100DM		
DRAWN	AF	12/18	PART CODE	SIZE	REV.
CHECKED	ZGK	12/18	C22509-XX	B	A
APPD.	JFM, NR	12/18	SCALE NTS	FILE NAME 630B2250-9SHT1.DWG	SHEET 1 OF 1
			630B2250-9		