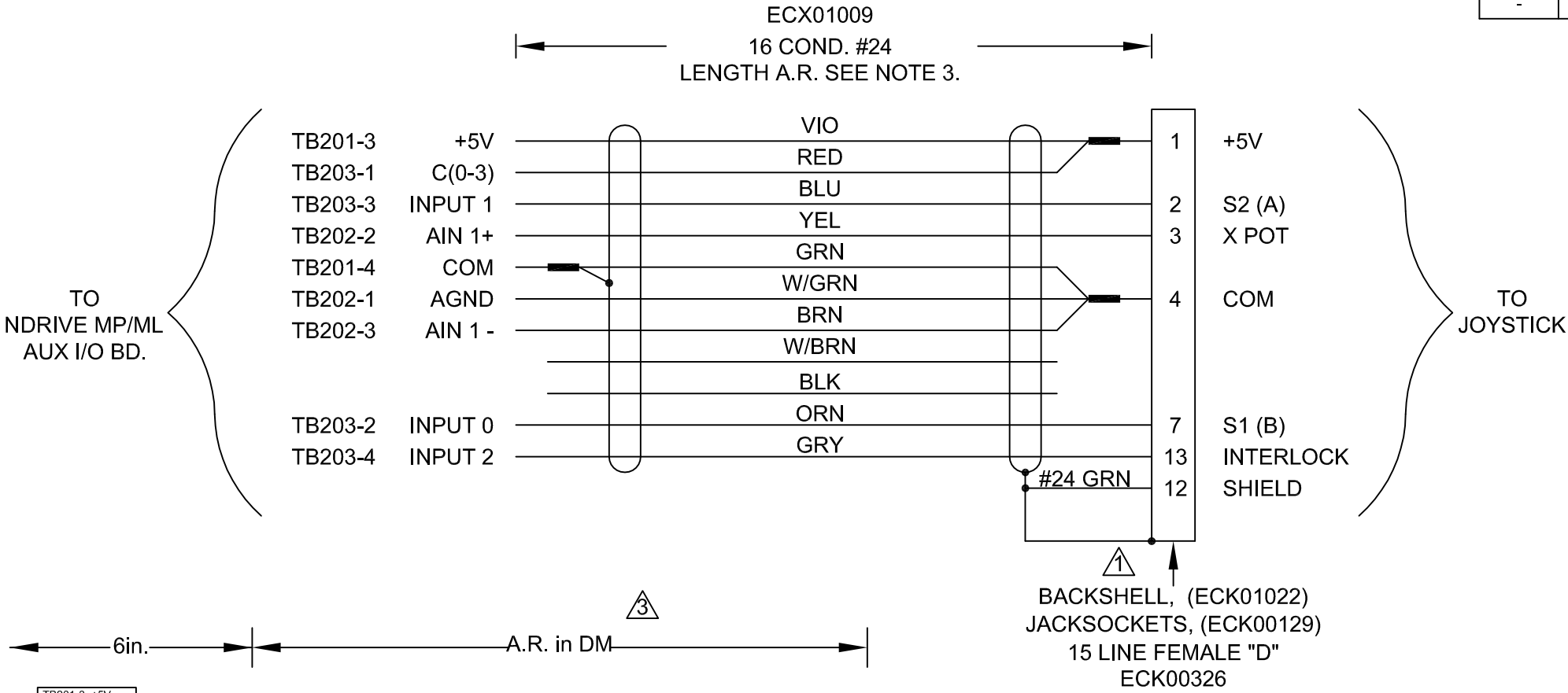
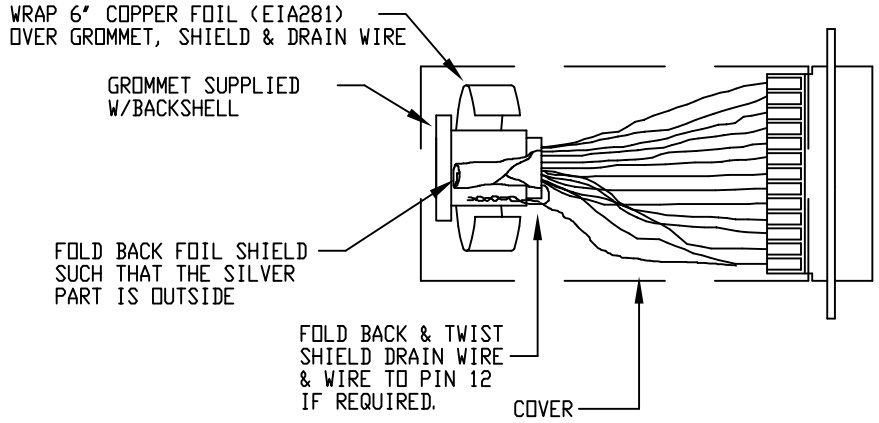


REVISIONS				
SYM.	ZONE	DESCRIPTION	DATE	APPROVAL
-			-	-



CONNECTOR SHIELDING

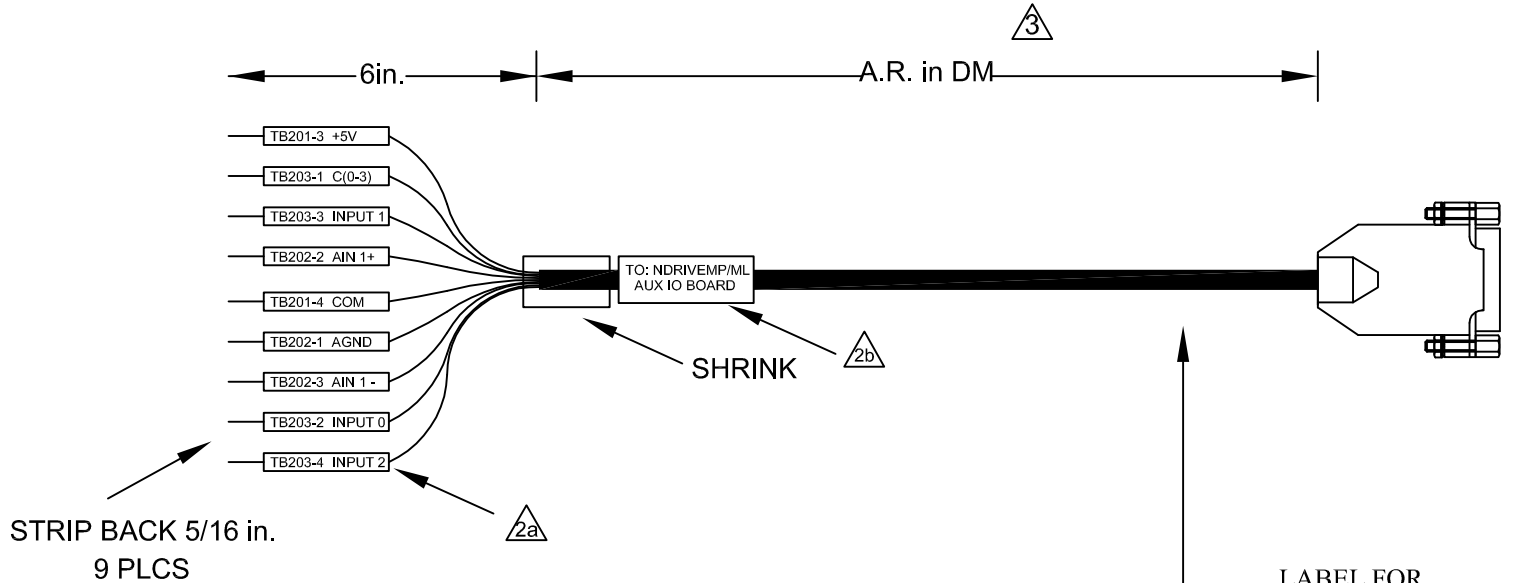


WIRE MARKERS

LABEL WIRES WITH BRADY LABELS AS NOTED
a.) PSPT-125-175-WT WIRE MARKING SLEEVE (EIA01161)
b.) PSPT-250-175-WT WIRE MARKING SLEEVE (EIA01163)

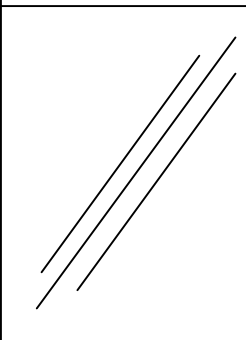
CABLE LENGTH

CAUTION, CABLE LENGTHS (XX) ARE IN DECIMETERS
EXAMPLE: C22751-30
30 = 30 DECIMETERS (3 METERS) = 10FT.



LABEL FOR
C22751 CABLES:
(1) REQUIRED

C22751-XX
W. O. # / 1 thru X
630B2275-1 REV(X)



PROPRIETARY INFORMATION
THIS DRAWING IS THE PROPERTY
OF AEROTECH, INC. AND IS
SUBMITTED IN CONFIDENCE AND
SHALL NOT BE REPRODUCED NOR
COPIED NOR DISCLOSED TO OTHERS
UNDER PENALTY OF LAW.

TOLERANCES ON		
FRACTIONS	DECIMALS	ANGLES
0 TO 6 $\frac{1}{32}$.XX ± 0.01	$\pm 0-30'$
OVER 6 $\frac{1}{16}$.XXX ± 0.005	

RMS FINISH		EXCEPT AS NOTED
------------	--	-----------------

DRAWN	TES	9/1/09
CHECKED	EJB	9/1/09
APPD.	AGS	9/1/09



AEROTECH, INC. 101 Zeta Drive
Pittsburgh, PA. 15238
www.aerotech.com

**NDRIVE MP/ML SINGLE AXIS
JOYSTICK EXTENSION CABLE
(JSXT-FLY-15DU-MAX 300 DM)**

PART CODE	SIZE	REV.
C22751-XX	B	-
SCALE NTS	FILE NAME	SHEET
	630B2275-101.DWG	1 of 1