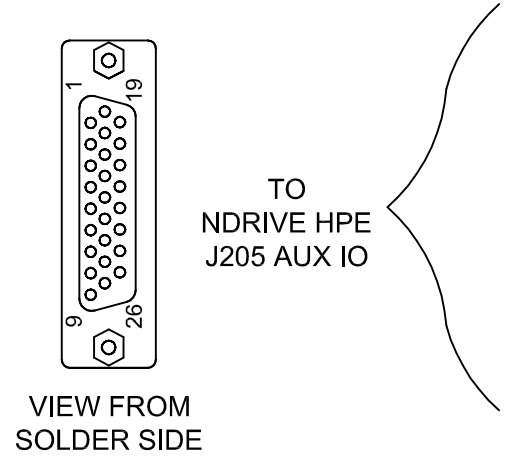
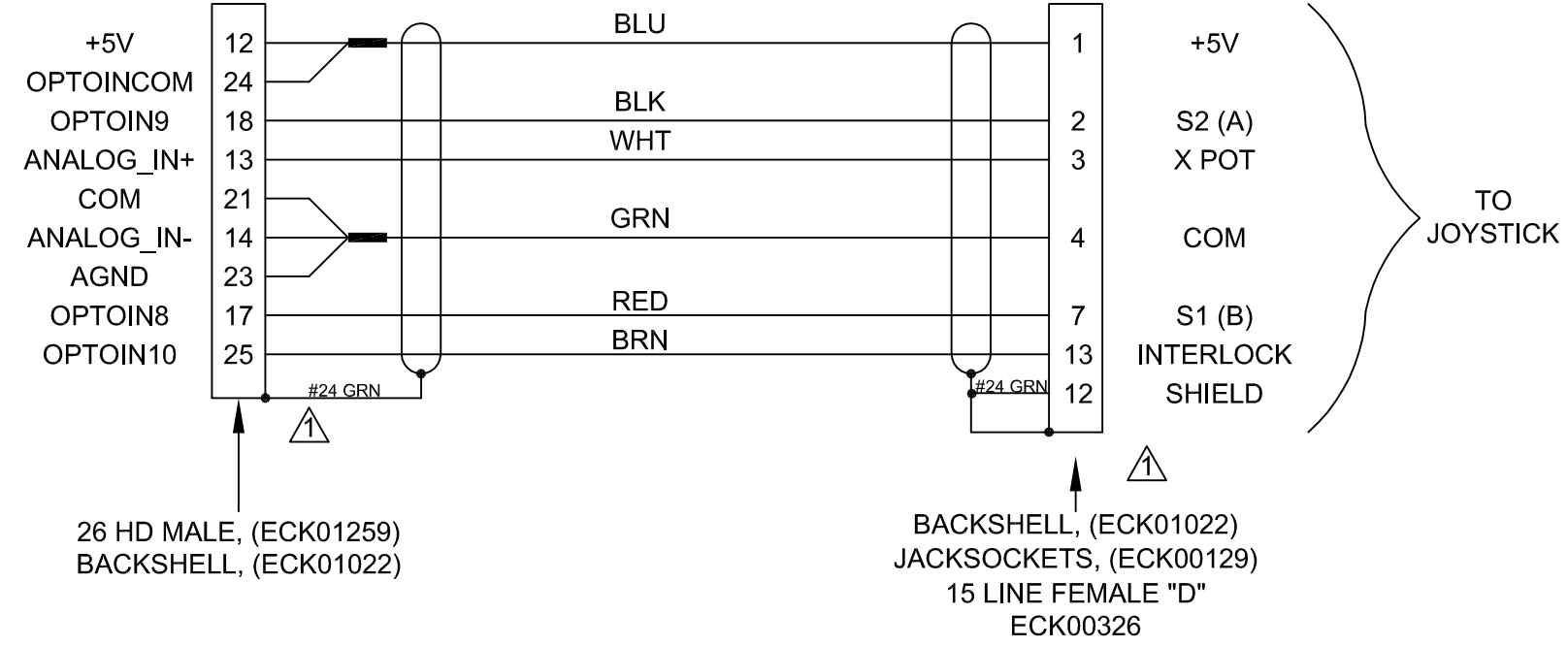


REVISIONS				
SYM.	ZONE	DESCRIPTION	DATE	APPROVAL
-			-	-



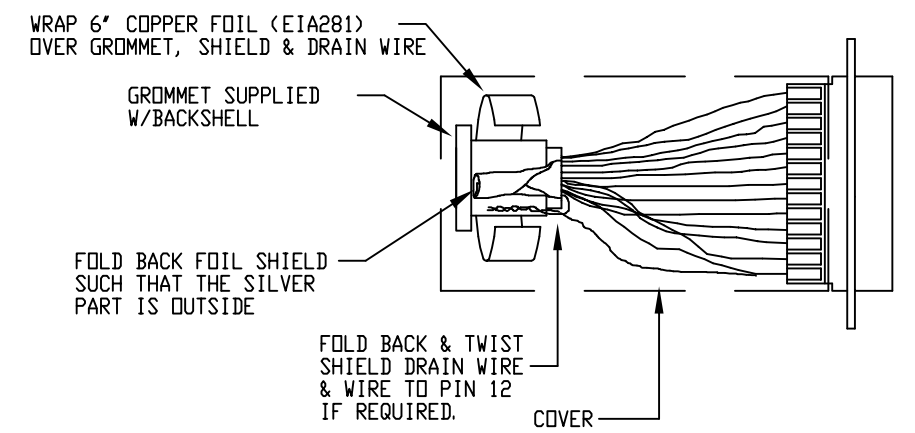
TO NDRIVE HPE J205 AUX IO



26 HD MALE, (ECK01259)
BACKSHELL, (ECK01022)

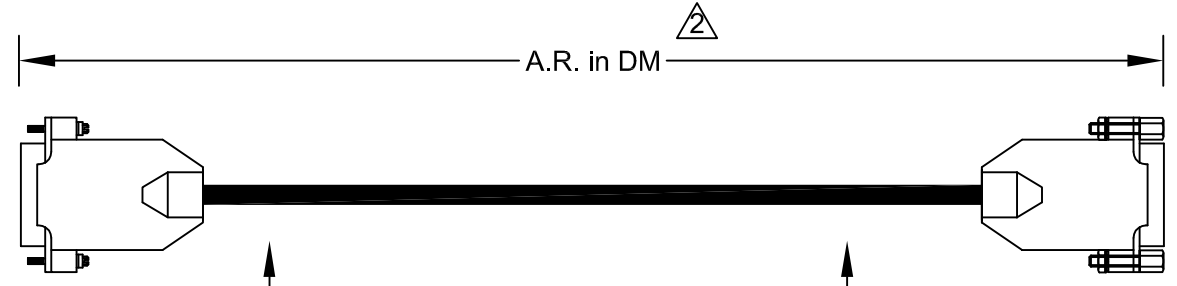
BACKSHELL, (ECK01022)
JACKSOCKETS, (ECK00129)
15 LINE FEMALE "D"
ECK00326

CONNECTOR SHIELDING

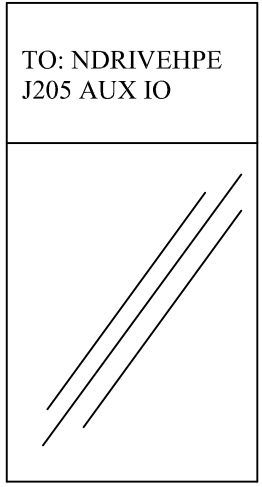


CABLE LENGTH

CAUTION, CABLE LENGTHS (XX) ARE IN DECIMETERS
EXAMPLE: C227510-30
30 = 30 DECIMETERS (3 METERS) = 10FT.

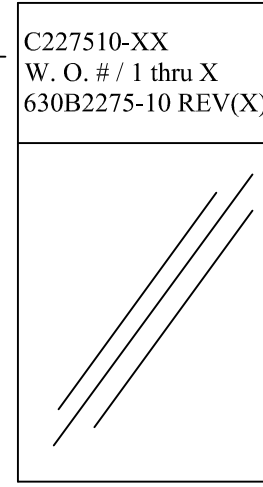


LABEL FOR C227510 CABLES:



CABLE WRAP LABEL: EIA00113

LABEL FOR C227510 CABLES:



CABLE WRAP LABEL: EIA00113

PROPRIETARY INFORMATION
THIS DRAWING IS THE PROPERTY OF AEROTECH, INC. AND IS SUBMITTED IN CONFIDENCE AND SHALL NOT BE REPRODUCED NOR COPIED NOR DISCLOSED TO OTHERS UNDER PENALTY OF LAW.



AEROTECH, INC. 101 Zeta Drive
Pittsburgh, PA. 15238
www.aerotech.com

TOLERANCES ON		
FRACTIONS	DECIMALS	ANGLES
0 TO 6 $\frac{1}{32}$.XX ± 01	$\pm 0-30'$
OVER 6 $\frac{1}{16}$.XXX ± 005	

RMS FINISH EXCEPT AS NOTED

DRAWN	TES	9/9/09
CHECKED	EJB	9/9/09
APPD.	AGS	9/9/09

NDRIVE HPE SINGLE AXIS JOYSTICK EXTENSION CABLE (JSXT-26HD-15DU-MAX 300 DM)

PART CODE	SIZE	REV.
C227510-XX	B	-
SCALE NTS	FILE NAME	SHEET
	630B2275-1001.DWG	1 of 1