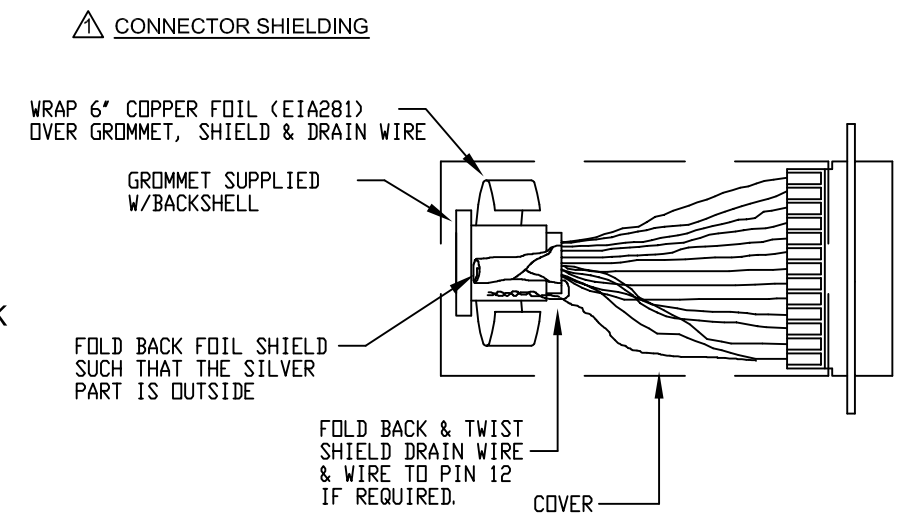
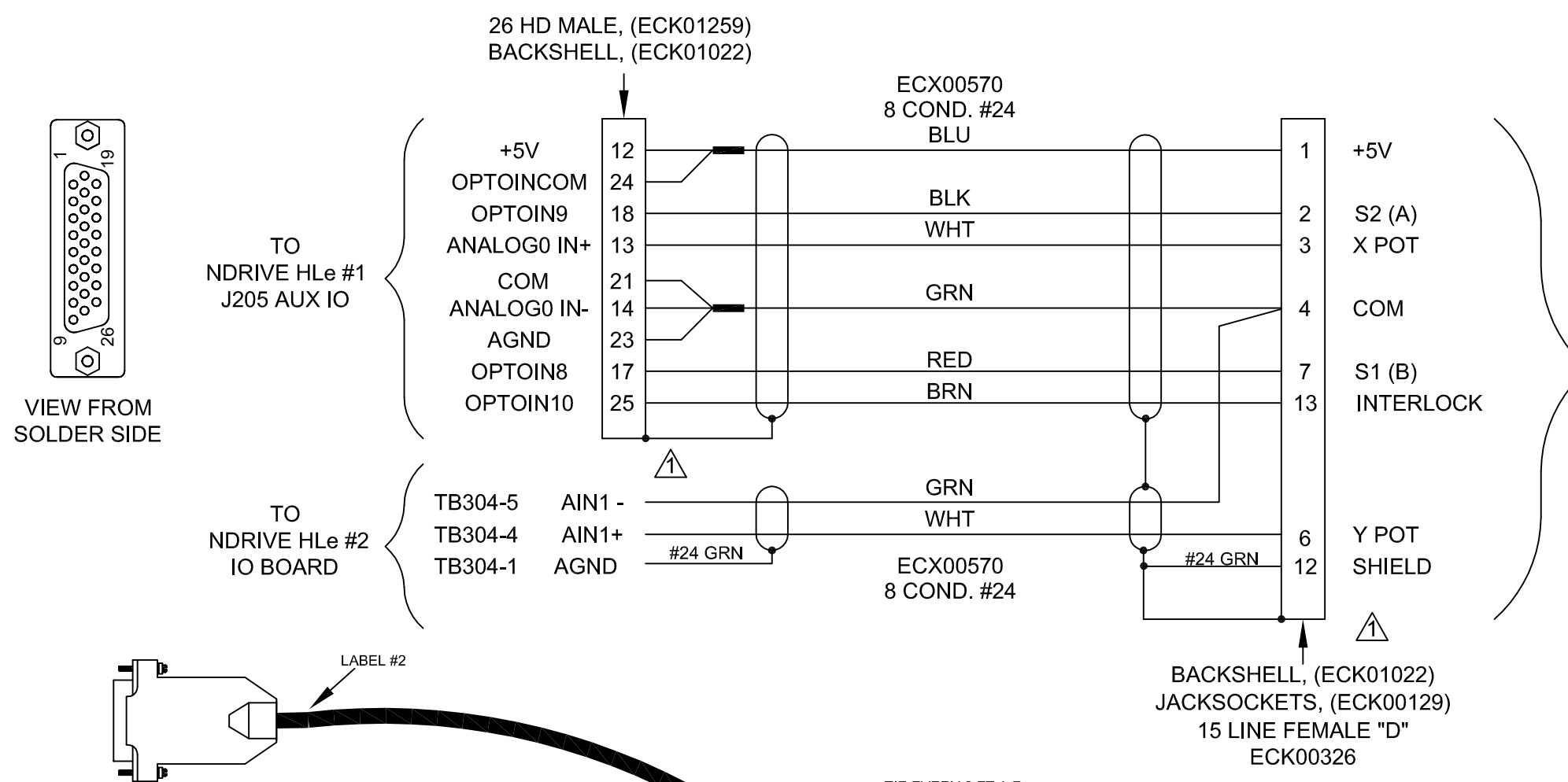
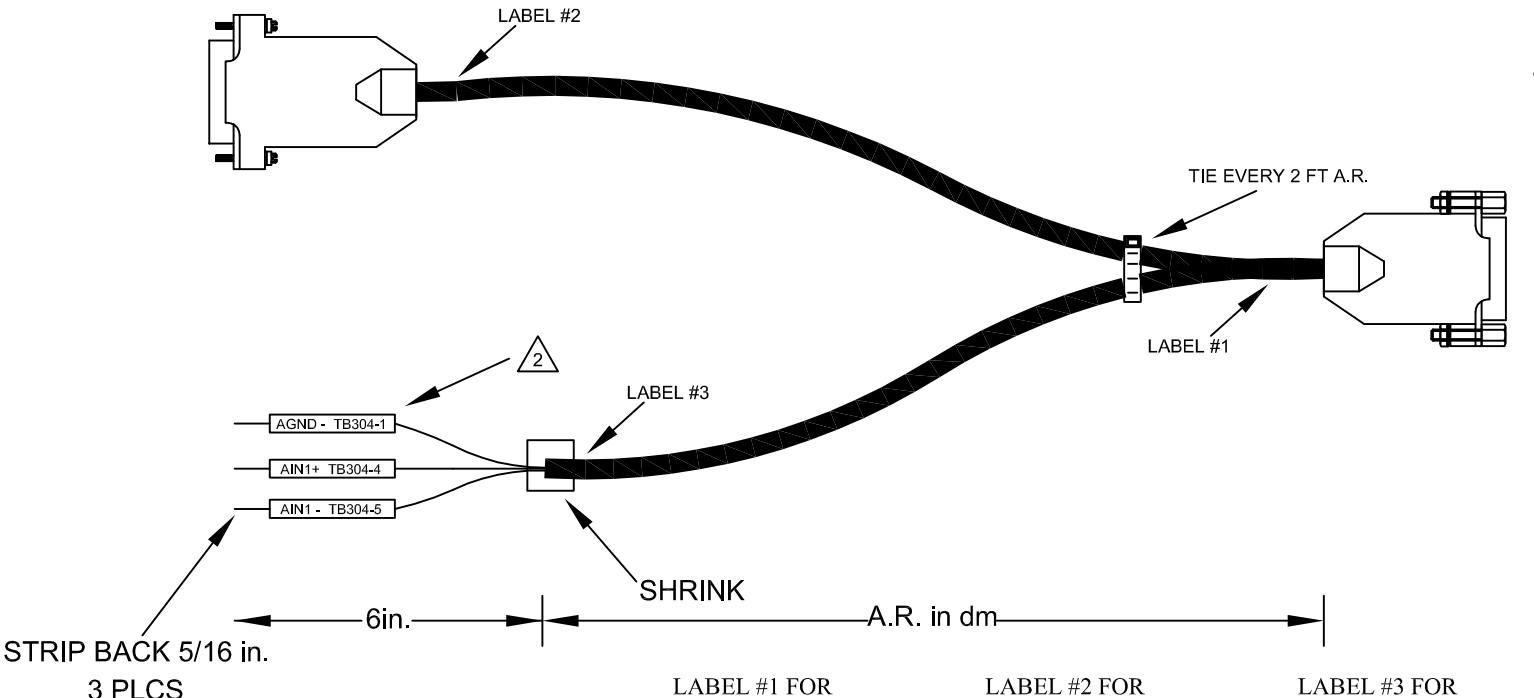


REVISIONS				
SYM.	ZONE	DESCRIPTION	DATE	APPROVAL
-			-	-



- CONNECTOR SHIELDING**
WRAP 6" COPPER FOIL (EIA281) OVER GROMMET, SHIELD & DRAIN WIRE
- GROMMET SUPPLIED W/BACKSHELL
- FOLD BACK FOIL SHIELD SUCH THAT THE SILVER PART IS OUTSIDE
- FOLD BACK & TWIST SHIELD DRAIN WIRE & WIRE TO PIN 12 IF REQUIRED.
- COVER
- WIRE MARKERS**
LABEL WIRES WITH BRADY LABELS AS NOTED
PSPT-125-175-WT WIRE MARKING SLEEVE GA (EIA01161)
- CABLE LENGTH**
CAUTION, CABLE LENGTHS (XX) ARE IN DECIMETERS
EXAMPLE: C227512-30
30 = 30 DECIMETERS (3 METERS) = 10FT.



LABEL #1 FOR C227512 CABLES: (1) REQUIRED

C227512-XX
W. O. # / 1 thru X
630B2275-12 REV(X)

CABLE WRAP LABEL: EIA00113

LABEL #2 FOR C227512 CABLES: (1) REQUIRED

TO: NDRIVEHLe #1
AUX IO PORT

CABLE WRAP LABEL: EIA00113

LABEL #3 FOR C227512 CABLES: (1) REQUIRED

TO: NDRIVEHLe #2
IO BOARD

CABLE WRAP LABEL: EIA00113

PROPRIETARY INFORMATION
THIS DRAWING IS THE PROPERTY OF AEROTECH, INC. AND IS SUBMITTED IN CONFIDENCE AND SHALL NOT BE REPRODUCED NOR COPIED NOR DISCLOSED TO OTHERS UNDER PENALTY OF LAW.

AEROTECH [®]

AEROTECH, INC. 101 Zeta Drive
Pittsburgh, PA. 15238
www.aerotech.com

NDRIVE HLE DUAL AXIS JOYSTICK EXTENSION CABLE (JSXT-FLY 26HD-15DU-MAX 300 DM)

TOLERANCES ON		
FRACTIONS	DECIMALS	ANGLES
0 TO 6 $\frac{1}{32}$.XX ± 01	$\pm 0-30'$
OVER 6 $\frac{1}{16}$.XXX ± 005	
RMS FINISH	EXCEPT AS NOTED	

DRAWN	TES	9/1/09	PART CODE	SIZE	REV.
CHECKED	EJB	9/1/09	C227512-XX	B	-
APPD.	AGS	9/1/09	SCALE NTS	FILE NAME	SHEET
				630B2275-1201.DWG	1 of 1

630B2275-12