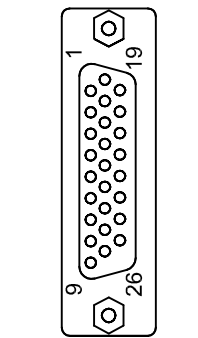
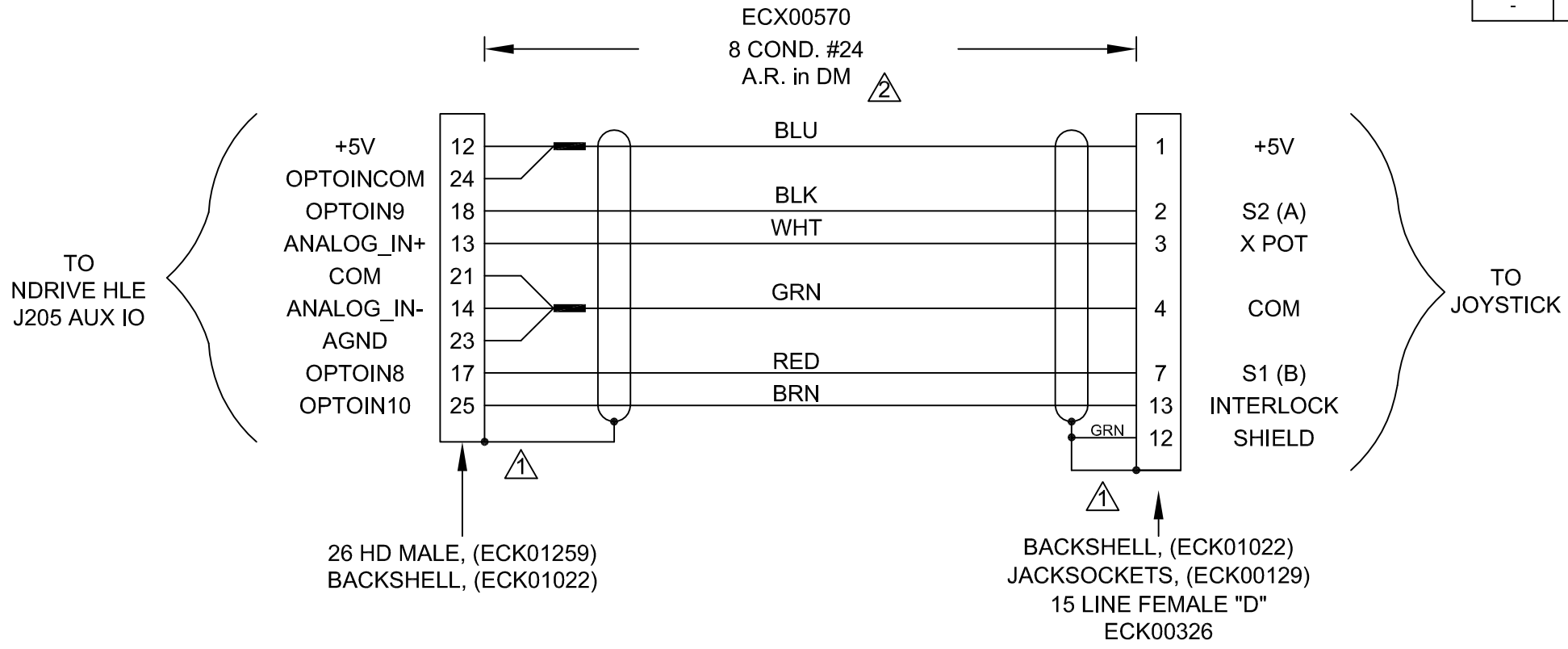


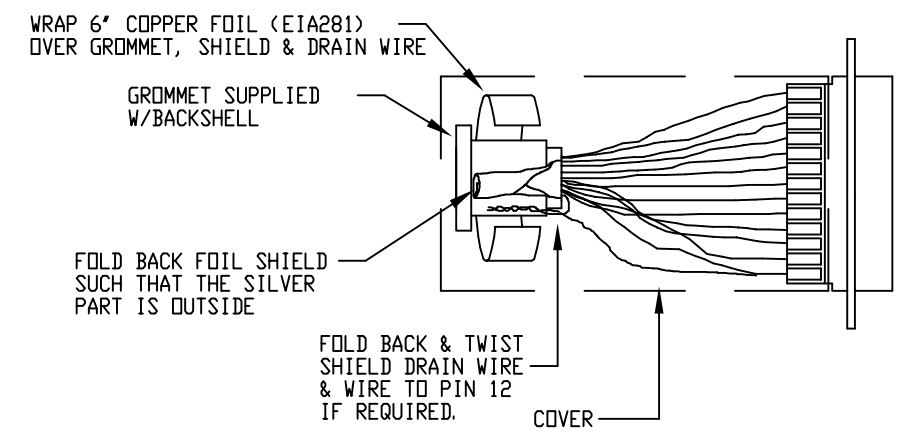
REVISIONS				
SYM.	ZONE	DESCRIPTION	DATE	APPROVAL
-			-	-



VIEW FROM SOLDER SIDE

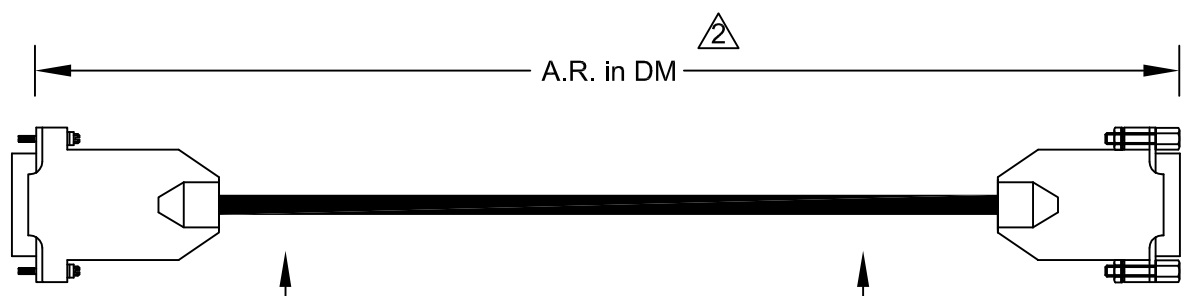


CONNECTOR SHIELDING

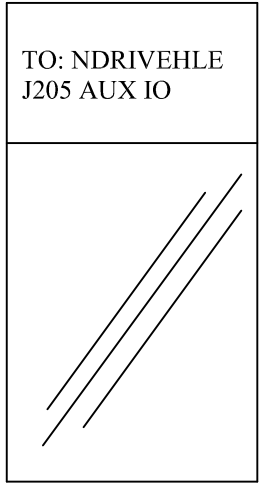


CABLE LENGTH

CAUTION, CABLE LENGTHS (XX) ARE IN DECIMETERS  
EXAMPLE: C227513-30  
30 = 30 DECIMETERS (3 METERS) = 10FT.

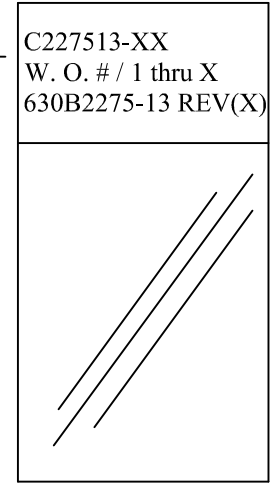


LABEL FOR C227513 CABLES:



CABLE WRAP LABEL: EIA00113

LABEL FOR C227513 CABLES:



CABLE WRAP LABEL: EIA00113

PROPRIETARY INFORMATION  
THIS DRAWING IS THE PROPERTY  
OF AEROTECH, INC. AND IS  
SUBMITTED IN CONFIDENCE AND  
SHALL NOT BE REPRODUCED NOR  
COPIED NOR DISCLOSED TO OTHERS  
UNDER PENALTY OF LAW.



AEROTECH, INC. 101 Zeta Drive  
Pittsburgh, PA. 15238  
www.aerotech.com

TOLERANCES ON		
FRACTIONS	DECIMALS	ANGLES
0 TO 6 $\frac{1}{32}$	.XX $\pm 01$	$\pm 0-30'$
OVER 6 $\frac{1}{16}$	.XXX $\pm 005$	

RMS FINISH  EXCEPT AS NOTED

DRAWN	TES	9/9/09
CHECKED	EJB	9/9/09
APPD.	AGS	9/9/09

PART CODE		SIZE	REV.
C227513-XX		B	-
SCALE NTS		FILE NAME	SHEET
		630B2275-1301.DWG	1 of 1
<b>SINGLE AXIS JOYSTICK EXTENSION CABLE (JSXT-26HD-15DU MAX 300 DM)</b>			
		<b>630B2275-13</b>	