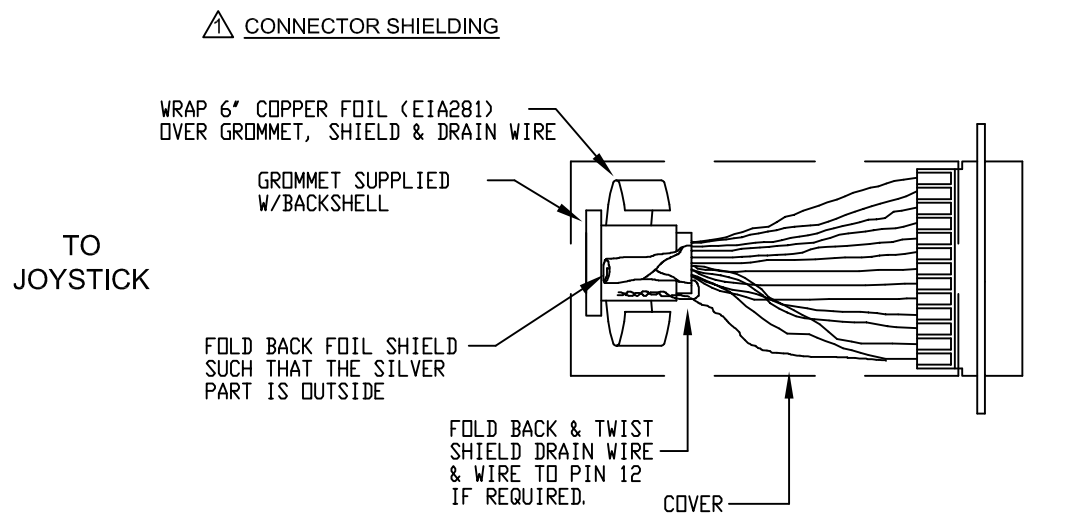
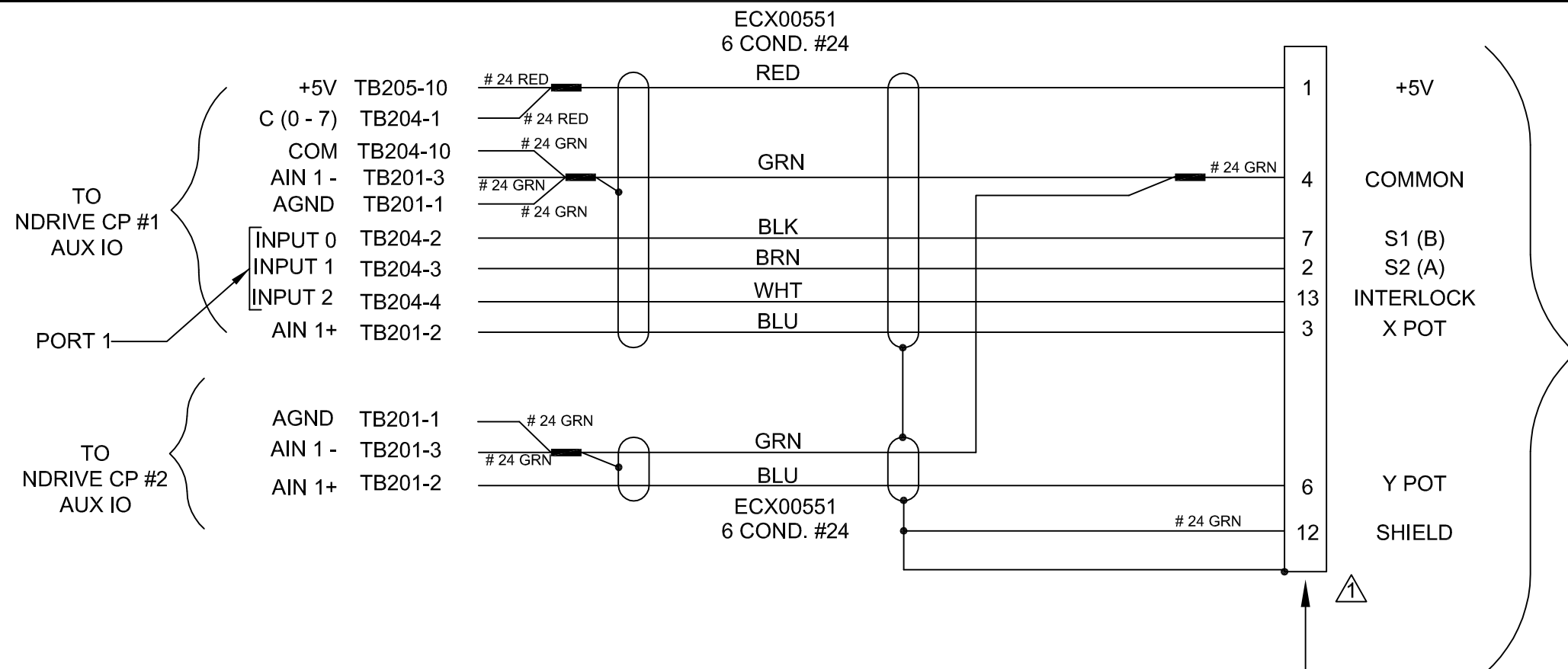
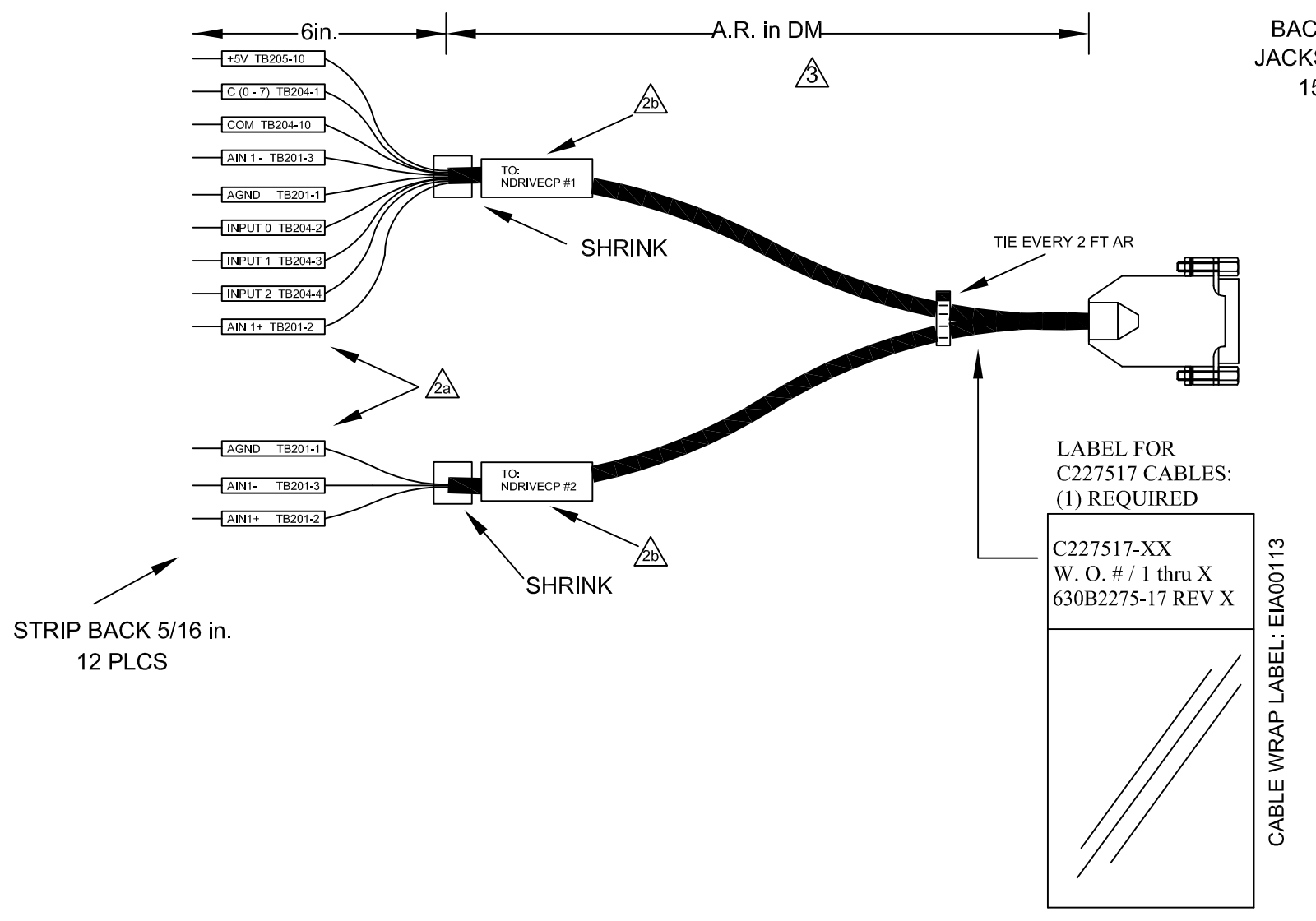

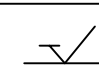


REVISIONS				
SYM.	ZONE	DESCRIPTION	DATE	APPROVAL
-			-	-



- △ CONNECTOR SHIELDING**
WRAP 6" COPPER FOIL (EIA281) OVER GROMMET, SHIELD & DRAIN WIRE
GROMMET SUPPLIED W/BACKSHELL
FOLD BACK FOIL SHIELD SUCH THAT THE SILVER PART IS OUTSIDE
FOLD BACK & TWIST SHIELD DRAIN WIRE & WIRE TO PIN 12 IF REQUIRED.
COVER
- △ WIRE MARKERS**
LABEL WIRES WITH BRADY LABELS AS NOTED
a.) PSPT-125-175-WT WIRE MARKING SLEEVE (EIA01161)
b.) PSPT-250-175-WT WIRE MARKING SLEEVE (EIA01163)
- △ CABLE LENGTH**
CAUTION, CABLE LENGTHS (XX) ARE IN DECIMETERS
EXAMPLE: C227517-30
30 = 30 DECIMETERS (3 METERS) = 10FT.



PROPRIETARY INFORMATION THIS DRAWING IS THE PROPERTY OF AEROTECH, INC. AND IS SUBMITTED IN CONFIDENCE AND SHALL NOT BE REPRODUCED NOR COPIED NOR DISCLOSED TO OTHERS UNDER PENALTY OF LAW.			 AEROTECH ®		AEROTECH, INC. 101 Zeta Drive Pittsburgh, PA. 15238 www.aerotech.com	
TOLERANCES ON FRACTIONS DECIMALS ANGLES 0 TO 6 $\frac{1}{32}$.XX ± 0.01 $\pm 0-30'$ OVER 6 $\pm 1/16$.XXX ± 0.005			 EXCEPT AS NOTED		NDRIVE CP DUAL AXIS JOYSTICK EXTENSION CABLE (JSXT-FLY FLY-15DU-MAX 300 DM)	
DRAWN TES 10/22/09	CHECKED EJB 10/22/09	APPD. AGS 10/22/09	PART CODE C227517-XX	SIZE B	630B2275-17	REV. -
SCALE NTS		FILE NAME 630B2275-1701.DWG		SHEET 1 of 1		