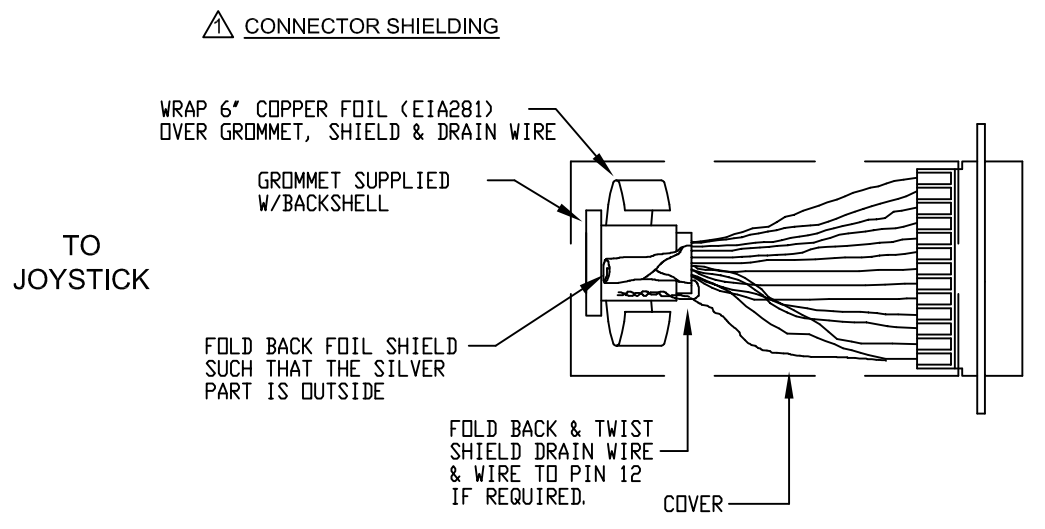
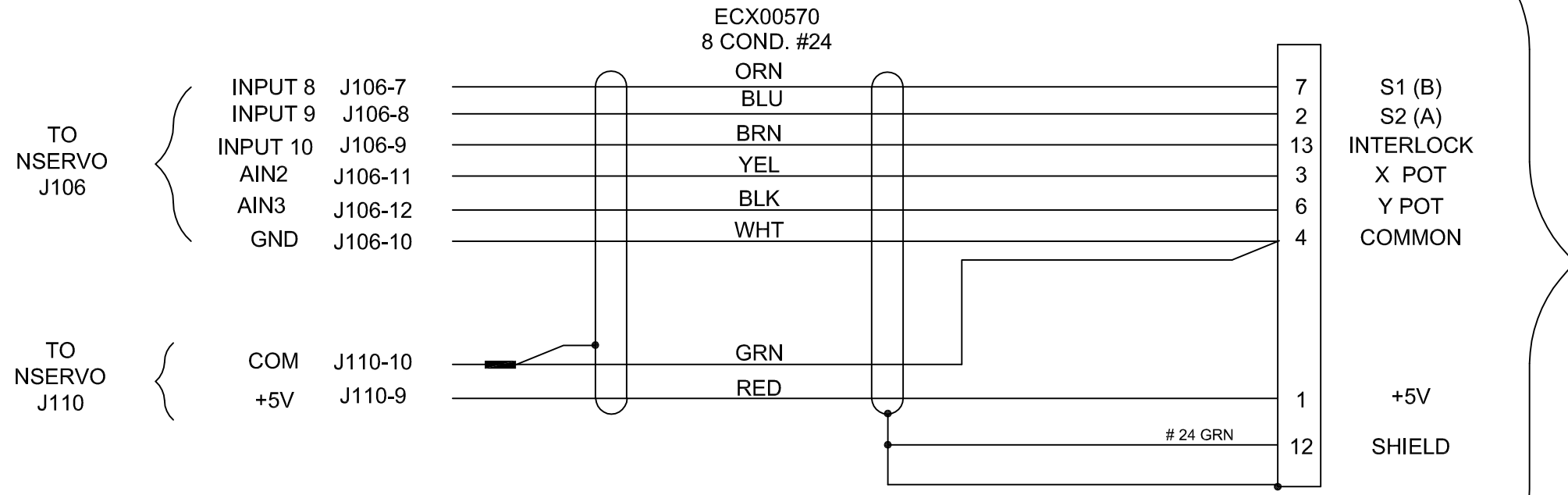


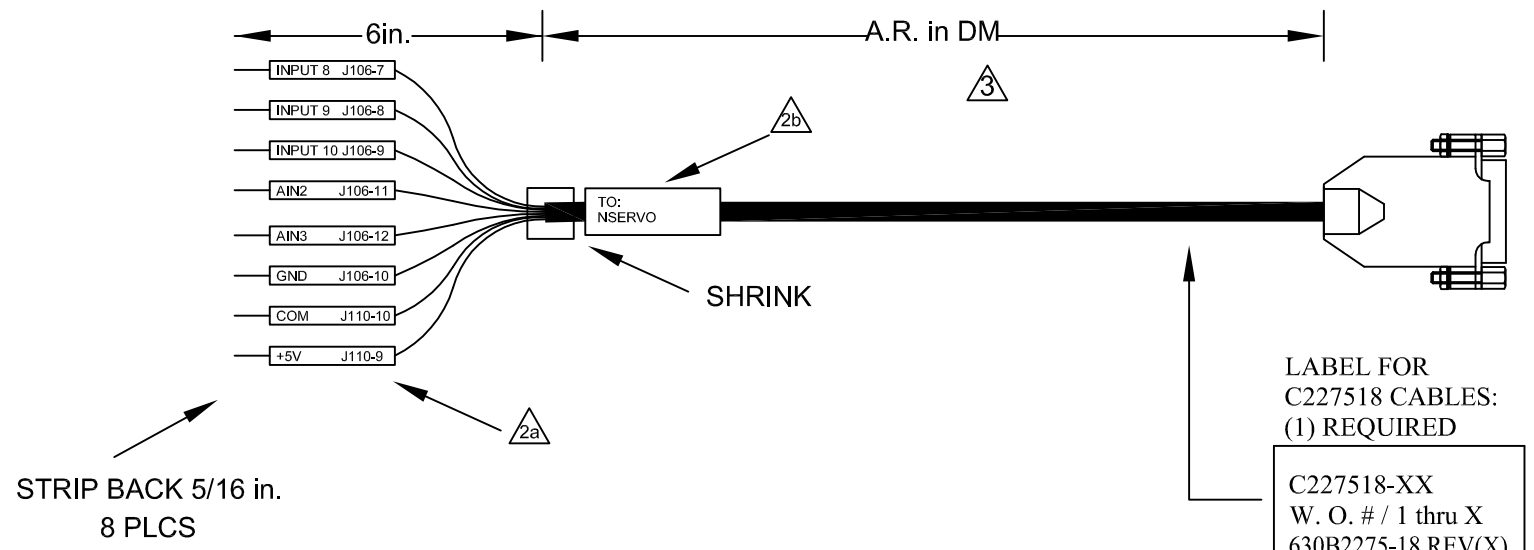
REVISIONS				
SYM.	ZONE	DESCRIPTION	DATE	APPROVAL
-			-	-



WIRE MARKERS
 LABEL WIRES WITH BRADY LABELS AS NOTED
 a.) PSPT-125-175-WT WIRE MARKING SLEEVE (EIA01161)
 b.) PSPT-250-175-WT WIRE MARKING SLEEVE (EIA01163)

CABLE LENGTH
 CAUTION, CABLE LENGTHS (XX) ARE IN DECIMETERS
 EXAMPLE: C227518-30
 30 = 30 DECIMETERS (3 METERS) = 10FT.

BACKSHELL, (ECK01022)
 JACKSOCKETS, (ECK00129)
 15 LINE FEMALE "D"
 ECK00326



LABEL FOR C227518 CABLES:
 (1) REQUIRED
 C227518-XX
 W. O. # / 1 thru X
 630B2275-18 REV(X)

CABLE WRAP LABEL: EIA00113

PROPRIETARY INFORMATION THIS DRAWING IS THE PROPERTY OF AEROTECH, INC. AND IS SUBMITTED IN CONFIDENCE AND SHALL NOT BE REPRODUCED NOR COPIED NOR DISCLOSED TO OTHERS UNDER PENALTY OF LAW.			AEROTECH, INC. 101 Zeta Drive Pittsburgh, PA. 15238 www.aerotech.com		
TOLERANCES ON FRACTIONS DECIMALS ANGLES 0 TO 6 3/32 .XX ±01 ± 0-30' OVER 6 ±1/16 .XXX ±005			<h2 style="text-align: center;">NSERVO JOYSTICK EXTENSION CABLE</h2> <h3 style="text-align: center;">(JSXT-FLY-15DU-MAX 300 DM)</h3>		
RMS FINISH EXCEPT AS NOTED					
DRAWN	TES	3/10/2011	PART CODE	SIZE	REV.
CHECKED	EJB	3/10/2011	C227518-XX	B	-
APPD.	AGS	3/10/2011	SCALE NTS	FILE NAME	SHEET
				630B2275-1801.DWG	1 of 1
			<h1 style="text-align: center;">630B2275-18</h1>		