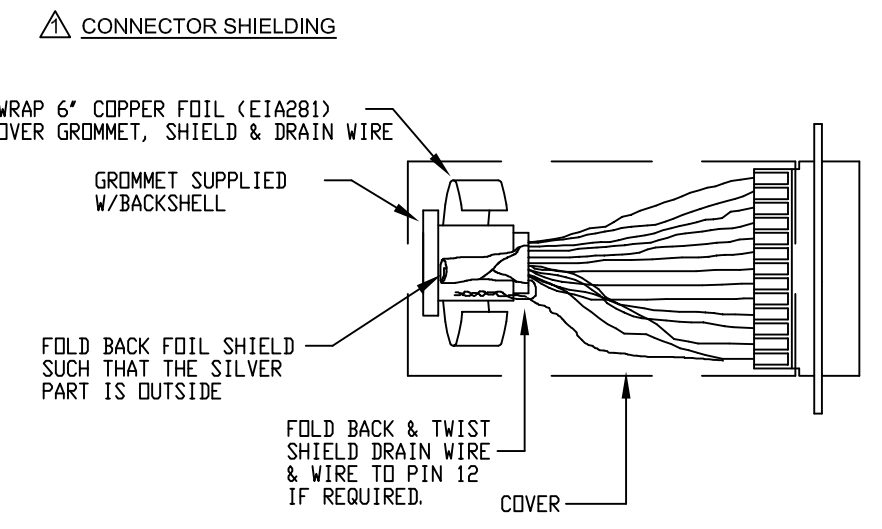
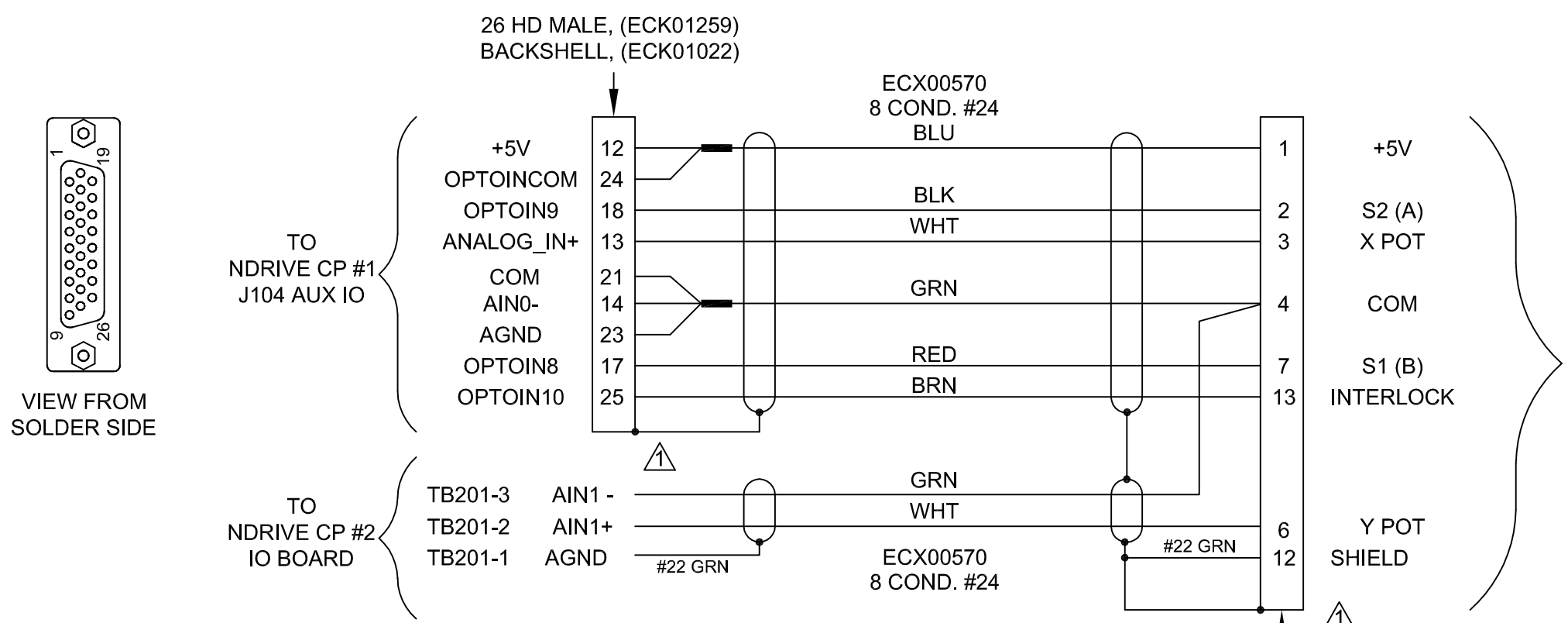
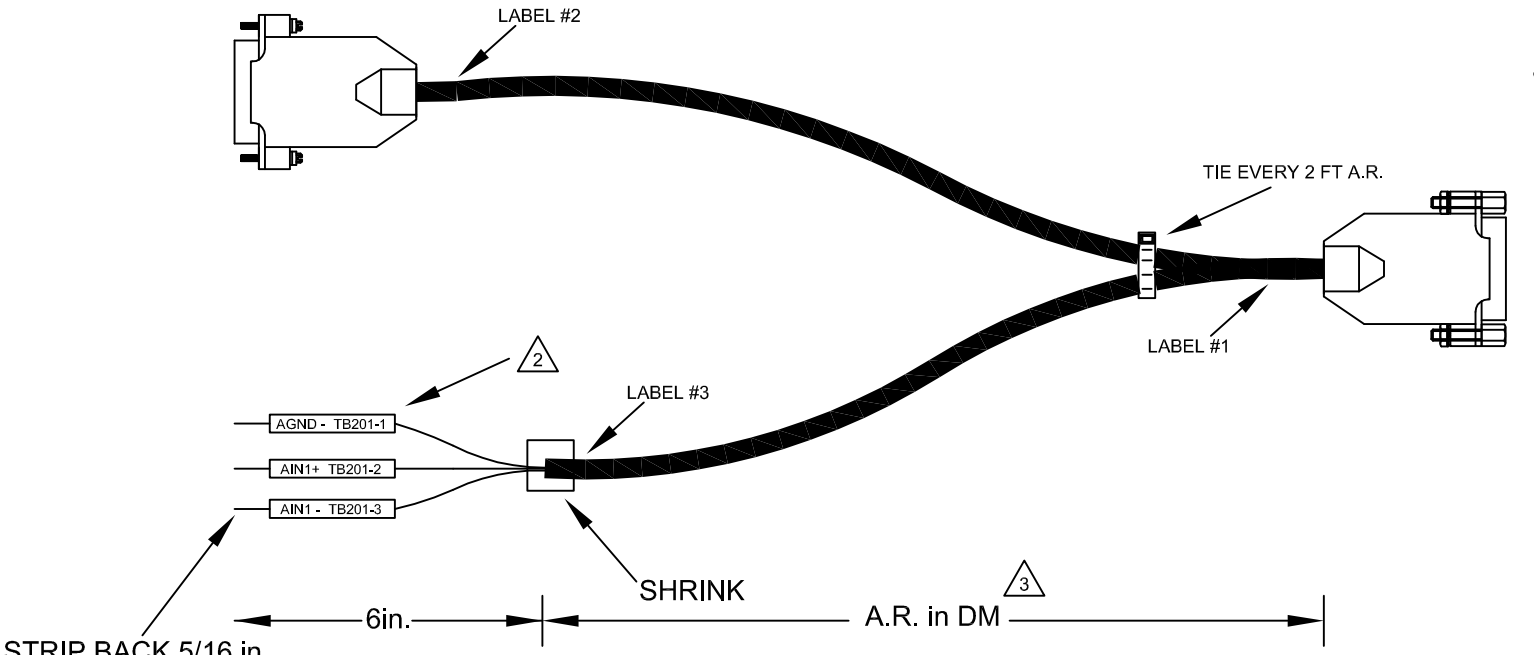


REVISIONS				
SYM.	ZONE	DESCRIPTION	DATE	APPROVAL
-			-	-



- △ WIRE MARKERS
LABEL WIRES WITH BRADY LABELS AS NOTED
PSPT-125-175-WT WIRE MARKING SLEEVE (EIA01161)
- △ CABLE LENGTH
CAUTION, CABLE LENGTHS (XX) ARE IN DECIMETERS
EXAMPLE: C22753-30
30 = 30 DECIMETERS (3 METERS) = 10FT.



LABEL #1 FOR C22753 CABLES: (1) REQUIRED

C22753-XX
W. O. # / 1 thru X
630B2275-3 REV(X)

CABLE WRAP LABEL: EIA00113

LABEL #2 FOR C22753 CABLES: (1) REQUIRED

TO: NDRIVECP #1
AUX IO PORT

CABLE WRAP LABEL: EIA00113

LABEL #3 FOR C22753 CABLES: (1) REQUIRED

TO: NDRIVECP #2
IO BOARD

CABLE WRAP LABEL: EIA00113

PROPRIETARY INFORMATION
THIS DRAWING IS THE PROPERTY
OF AEROTECH, INC. AND IS
SUBMITTED IN CONFIDENCE AND
SHALL NOT BE REPRODUCED NOR
COPIED NOR DISCLOSED TO OTHERS
UNDER PENALTY OF LAW.

AEROTECH[®] AEROTECH, INC. 101 Zeta Drive
Pittsburgh, PA. 15238
www.aerotech.com

NDRIVE CP DUAL AXIS JOYSTICK EXTENSION CABLE (JSXT-FLY 26HD-15DU-MAX 300 DM)

TOLERANCES ON		
FRACTIONS	DECIMALS	ANGLES
0 TO 6 \pm 1/32	.XX \pm 01	\pm 0-30'
OVER 6 \pm 1/16	.XXX \pm 005	
RMS FINISH	EXCEPT AS NOTED	

DRAWN	TES	9/1/09
CHECKED	EJB	9/1/09
APPD.	AGS	9/1/09

PART CODE	SIZE	REV.
C22753-XX	B	-
SCALE NTS	FILE NAME	SHEET
	630B2275-301.DWG	1 of 1