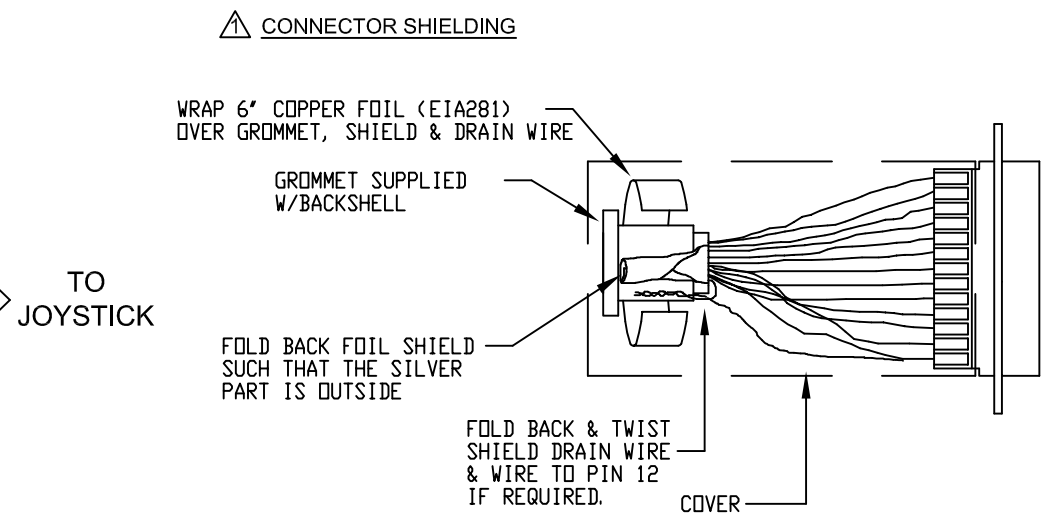
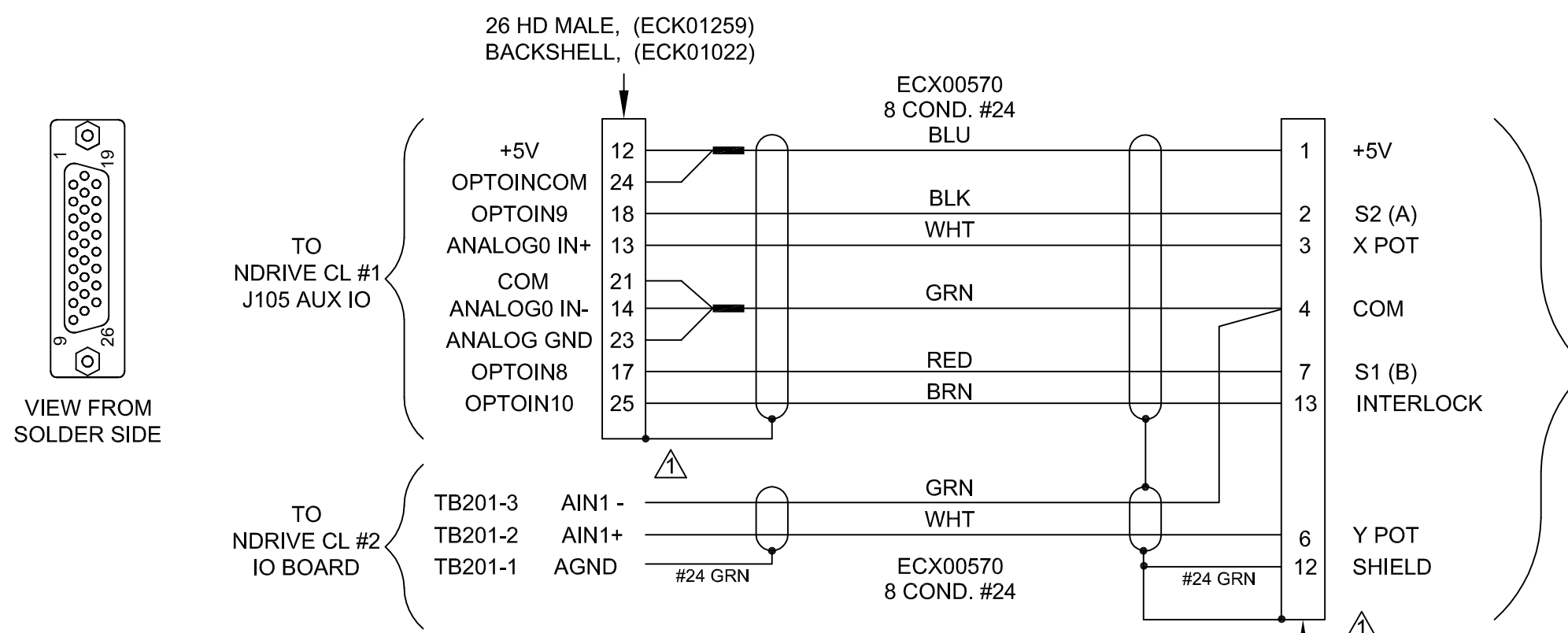
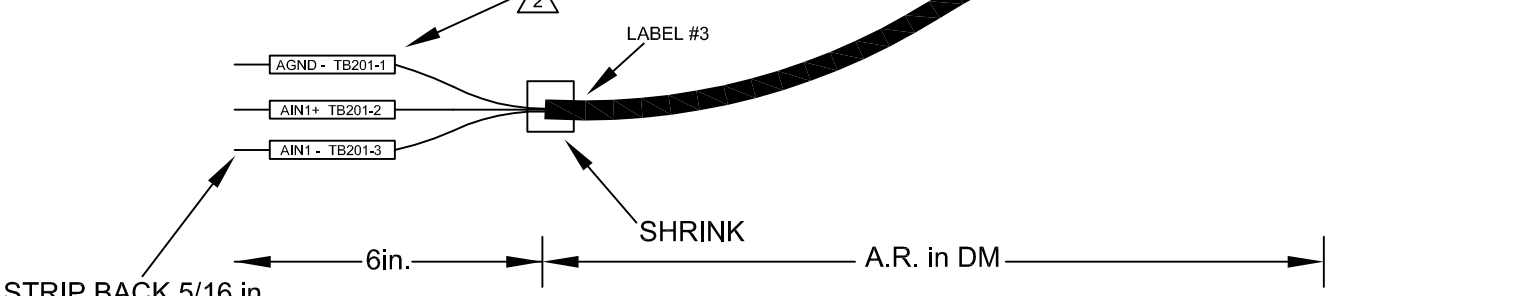


REVISIONS				
SYM.	ZONE	DESCRIPTION	DATE	APPROVAL
-			-	-



- CONNECTOR SHIELDING**  
WRAP 6" COPPER FOIL (EIA281) OVER GROMMET, SHIELD & DRAIN WIRE  
GROMMET SUPPLIED W/BACKSHELL  
FOLD BACK FOIL SHIELD SUCH THAT THE SILVER PART IS OUTSIDE  
FOLD BACK & TWIST SHIELD DRAIN WIRE & WIRE TO PIN 12 IF REQUIRED.
- WIRE MARKERS**  
LABEL WIRES WITH BRADY LABELS AS NOTED  
PSPT-125-175-WT WIRE MARKING SLEEVE (EIA01161)
- CABLE LENGTH**  
CAUTION, CABLE LENGTHS (XX) ARE IN DECIMETERS  
EXAMPLE: C22756-30  
30 = 30 DECIMETERS (3 METERS) = 10FT.



<p>LABEL #1 FOR C22756 CABLES: (1) REQUIRED</p> <p>C22756-XX W. O. # / 1 thru X 630B2275-6 REV(X)</p> <p>CABLE WRAP LABEL: EIA00113</p>	<p>LABEL #2 FOR C22756 CABLES: (1) REQUIRED</p> <p>TO: NDRIVECL #1 AUX IO PORT</p> <p>CABLE WRAP LABEL: EIA00113</p>	<p>LABEL #3 FOR C22756 CABLES: (1) REQUIRED</p> <p>TO: NDRIVECL #2 IO BOARD</p> <p>CABLE WRAP LABEL: EIA00113</p>
---	--	---

PROPRIETARY INFORMATION  
THIS DRAWING IS THE PROPERTY OF AEROTECH, INC. AND IS SUBMITTED IN CONFIDENCE AND SHALL NOT BE REPRODUCED NOR COPIED NOR DISCLOSED TO OTHERS UNDER PENALTY OF LAW.



AEROTECH, INC. 101 Zeta Drive  
Pittsburgh, PA. 15238  
www.aerotech.com

## NDRIVE CL DUAL AXIS JOYSTICK EXTENSION CABLE (JSXT-FLY 26HD-15DU-MAX 300 DM)

TOLERANCES ON		
FRACTIONS	DECIMALS	ANGLES
0 TO 6 ±1/32	.XX ±01	± 0-30'
OVER 6 ±1/16	.XXX ±005	
RMS FINISH	EXCEPT AS NOTED	
DRAWN	TES	9/1/09
CHECKED	EJB	9/1/09
APPD.	AGS	9/1/09

PART CODE	SIZE	REV.
C22756-XX	B	-
SCALE NTS	FILE NAME	SHEET
	630B2275-601.DWG	1 of 1