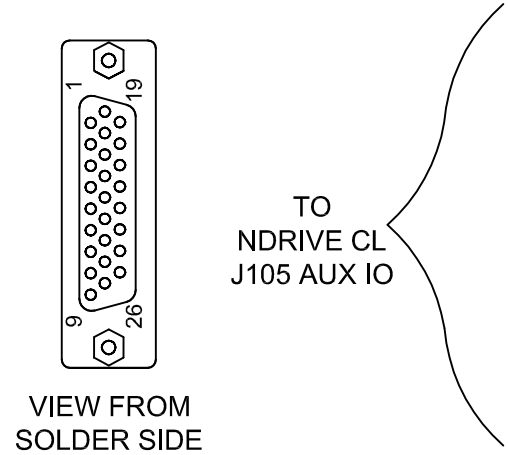
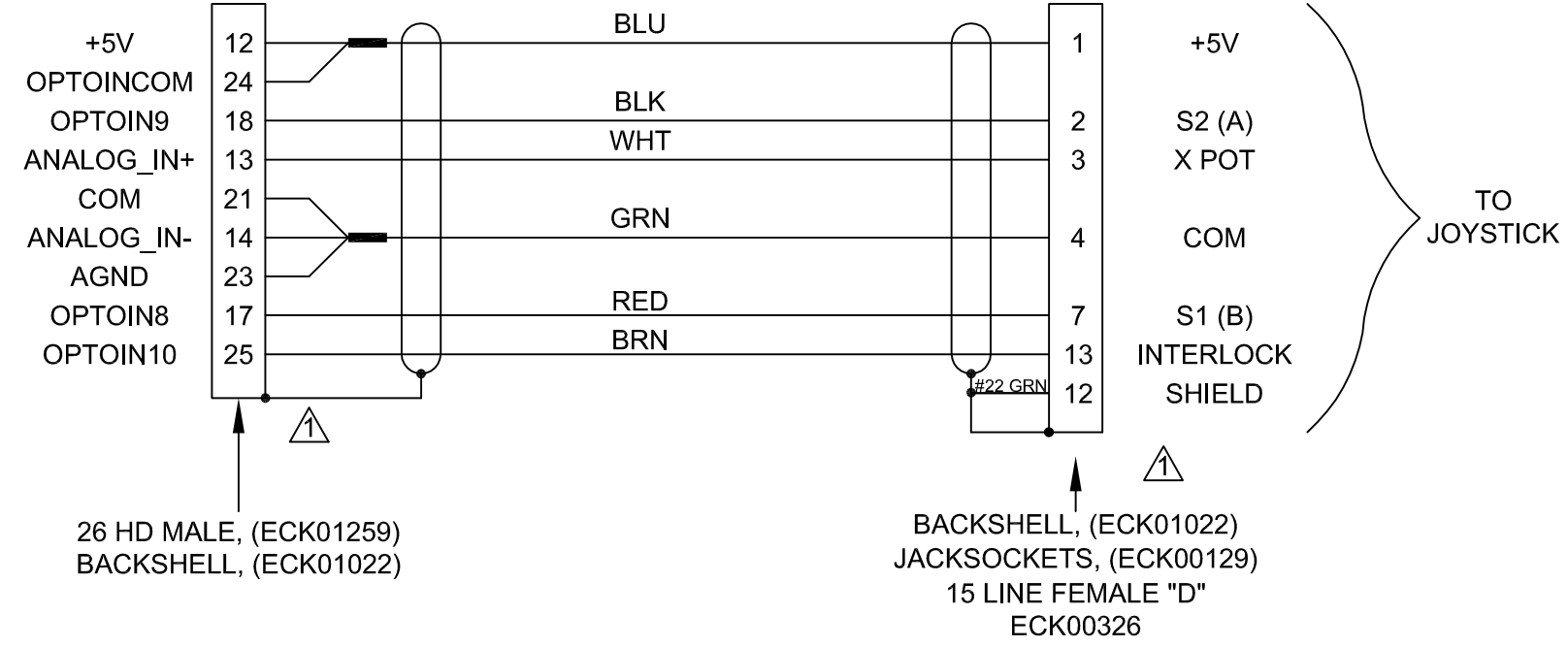


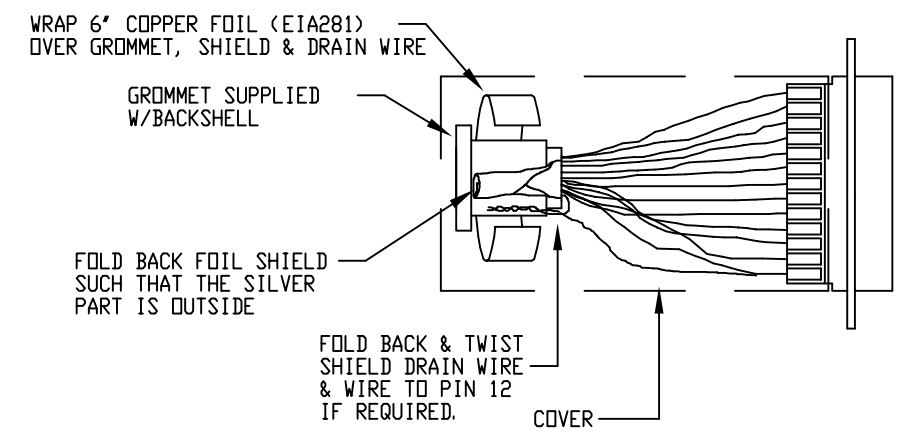
REVISIONS				
SYM.	ZONE	DESCRIPTION	DATE	APPROVAL
-		-	-	-



TO NDRIVE CL J105 AUX IO

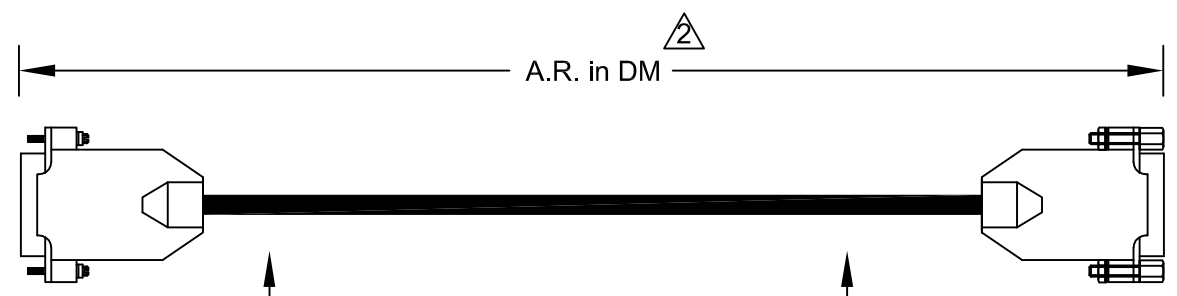


CONNECTOR SHIELDING

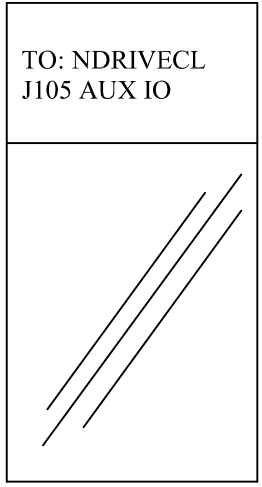


CABLE LENGTH

CAUTION, CABLE LENGTHS (XX) ARE IN DECIMETERS
EXAMPLE: C22757-30
30 = 30 DECIMETERS (3 METERS) = 10FT.

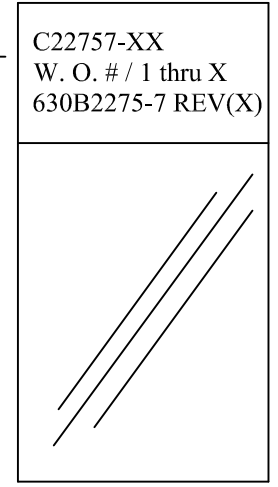


LABEL FOR C22757 CABLES:



CABLE WRAP LABEL: EIA00113

LABEL FOR C22757 CABLES:



CABLE WRAP LABEL: EIA00113

PROPRIETARY INFORMATION
THIS DRAWING IS THE PROPERTY OF AEROTECH, INC. AND IS SUBMITTED IN CONFIDENCE AND SHALL NOT BE REPRODUCED NOR COPIED NOR DISCLOSED TO OTHERS UNDER PENALTY OF LAW.



AEROTECH, INC. 101 Zeta Drive
Pittsburgh, PA. 15238
www.aerotech.com

NDRIVE CL SINGLE AXIS JOYSTICK EXTENSION CABLE (JSXT-26HD-15DU-MAX 300 DM)

TOLERANCES ON		
FRACTIONS	DECIMALS	ANGLES
0 TO 6 $\frac{1}{32}$.XX ± 01	$\pm 0-30'$
OVER 6 $\frac{1}{16}$.XXX ± 005	
RMS FINISH		EXCEPT AS NOTED

DRAWN	TES	9/9/09	PART CODE	SIZE	REV.
CHECKED	EJB	9/9/09	C22757-XX	B	-
APPD.	AGS	9/9/09	SCALE NTS	FILE NAME	SHEET
				630B2275-701.DWG	1 of 1