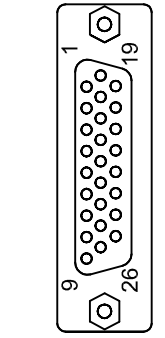


| REVISIONS | | | | |
|-----------|------|-------------|------|----------|
| SYM. | ZONE | DESCRIPTION | DATE | APPROVAL |
| - | | - | - | - |

26 HD MALE, (ECK01259)
BACKSHELL, (ECK01022)

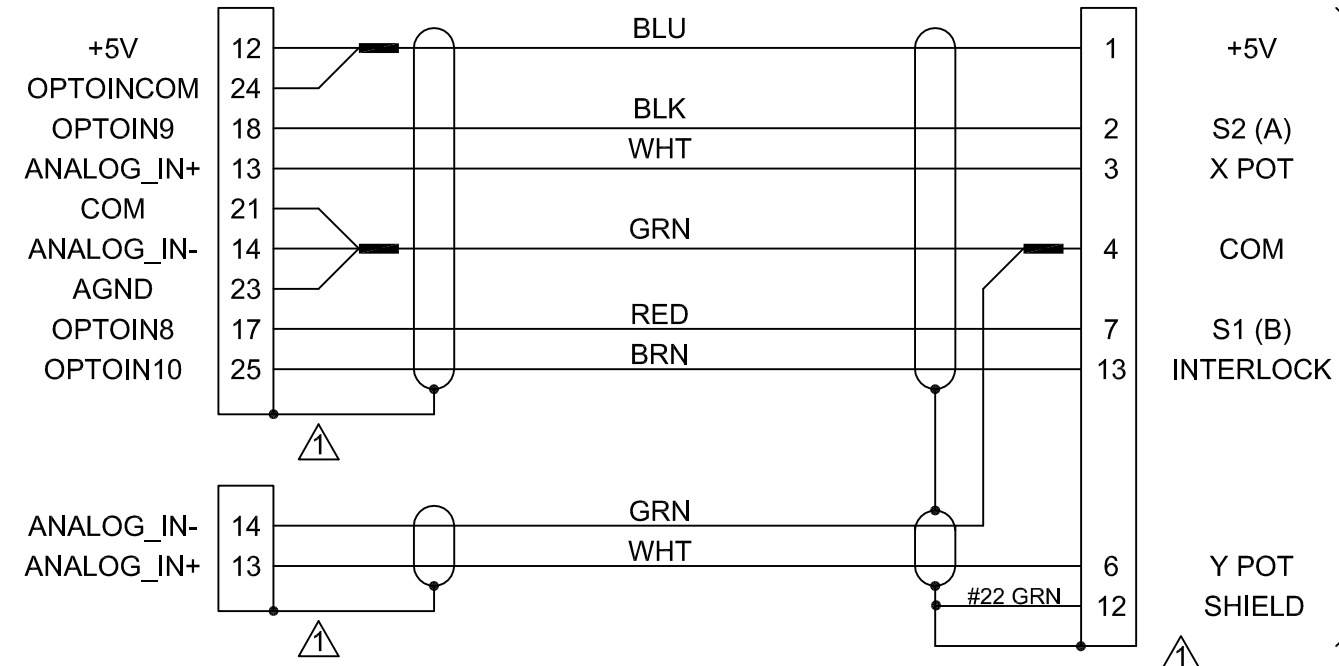
BACKSHELL, (ECK01022)
JACKSOCKETS, (ECK00129)
15 LINE FEMALE "D"
ECK00326



VIEW FROM
SOLDER SIDE

TO
NDRIVE CL #1
J105 AUX IO

TO
NDRIVE CL #2
J105 AUX IO



26 HD MALE, (ECK01259)
BACKSHELL, (ECK01022)

TO
JOYSTICK

CONNECTOR SHIELDING

WRAP 6" COPPER FOIL (EIA281)
OVER GROMMET, SHIELD & DRAIN WIRE

GROMMET SUPPLIED
W/BACKSHELL

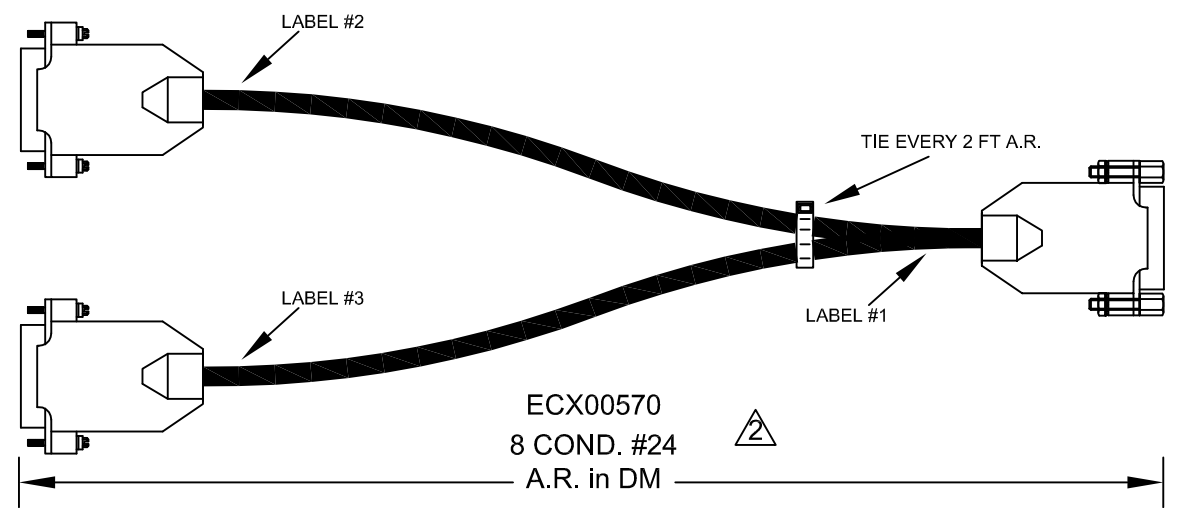
FOLD BACK FOIL SHIELD
SUCH THAT THE SILVER
PART IS OUTSIDE

FOLD BACK & TWIST
SHIELD DRAIN WIRE
& WIRE TO PIN 12
IF REQUIRED.

COVER

CABLE LENGTH

CAUTION, CABLE LENGTHS (XX) ARE IN DECIMETERS
EXAMPLE: C22758-30
30 = 30 DECIMETERS (3 METERS) = 10FT.

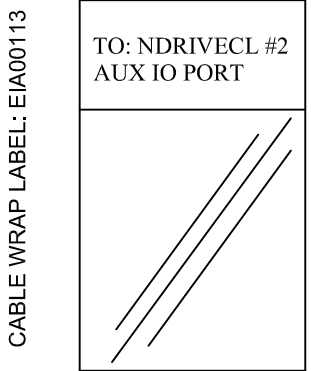
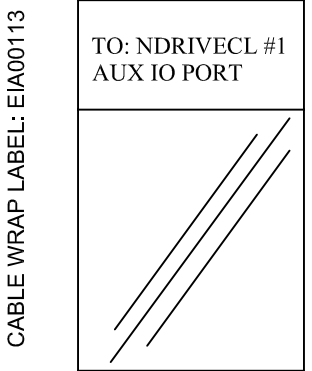
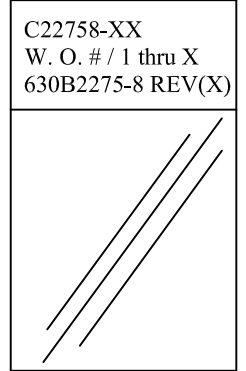


ECX00570
8 COND. #24
A.R. in DM

LABEL #1 FOR
C22758 CABLES:
(1) REQUIRED

LABEL #2 FOR
C22758 CABLES:
(1) REQUIRED

LABEL #3 FOR
C22758 CABLES:
(1) REQUIRED



CABLE WRAP LABEL: EIA00113

CABLE WRAP LABEL: EIA00113

CABLE WRAP LABEL: EIA00113

PROPRIETARY INFORMATION
THIS DRAWING IS THE PROPERTY
OF AEROTECH, INC. AND IS
SUBMITTED IN CONFIDENCE AND
SHALL NOT BE REPRODUCED NOR
COPIED NOR DISCLOSED TO OTHERS
UNDER PENALTY OF LAW.



AEROTECH, INC. 101 Zeta Drive
Pittsburgh, PA. 15238
www.aerotech.com

**NDRIVE CL DUAL AXIS
JOYSTICK EXTENSION CABLE
(JSXT-26HD 26HD-15DU-MAX 300 DM)**

| TOLERANCES ON | | |
|-------------------|-----------------|-------------|
| FRACTIONS | DECIMALS | ANGLES |
| 0 TO 6 \pm 1/32 | .XX \pm 01 | \pm 0-30' |
| OVER 6 \pm 1/16 | .XXX \pm 005 | |
| RMS FINISH | EXCEPT AS NOTED | |

| | | | | | |
|---------|-----|--------|-----------|------------------|--------|
| DRAWN | TES | 9/9/09 | PART CODE | SIZE | REV. |
| CHECKED | EJB | 9/9/09 | C22758-XX | B | - |
| APPD. | AGS | 9/9/09 | SCALE NTS | FILE NAME | SHEET |
| | | | | 630B2275-801.DWG | 1 of 1 |

630B2275-8