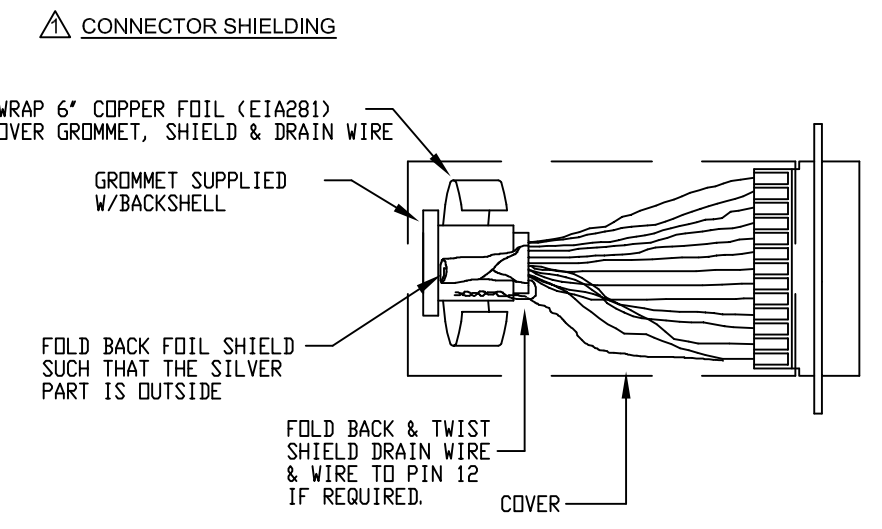
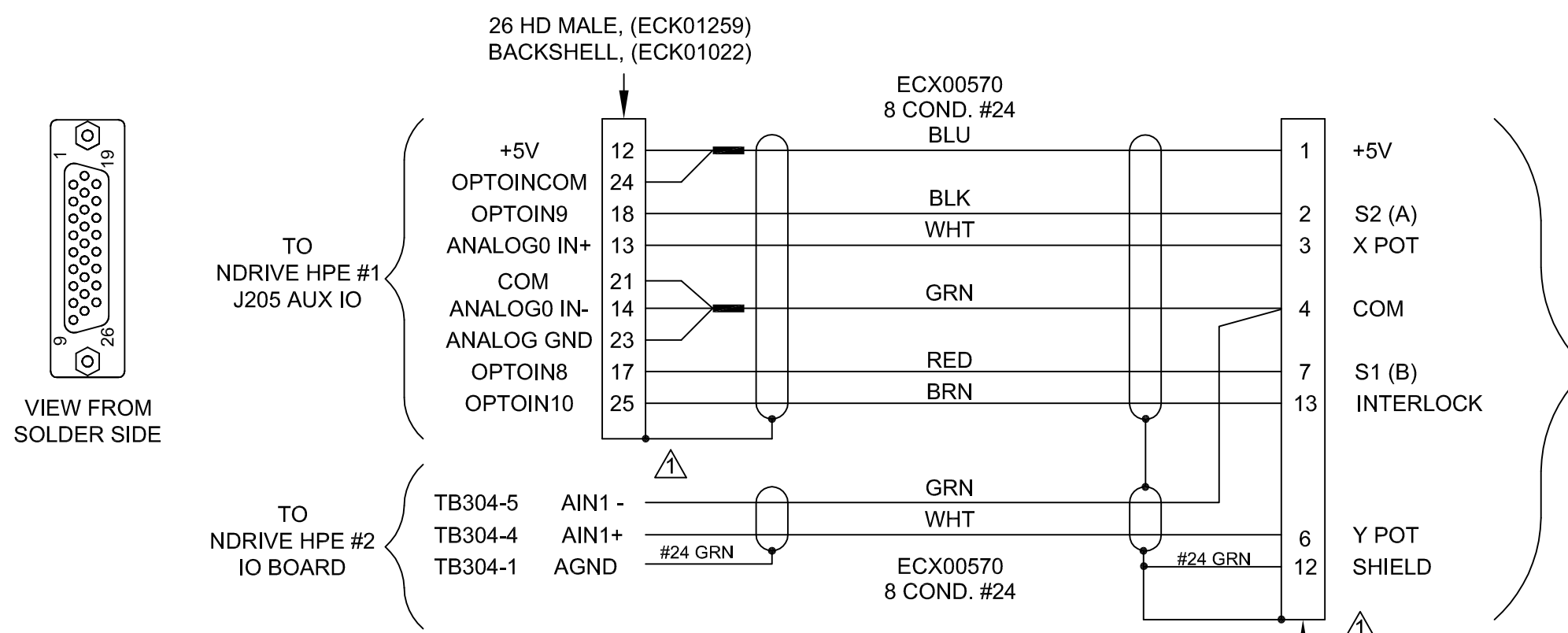
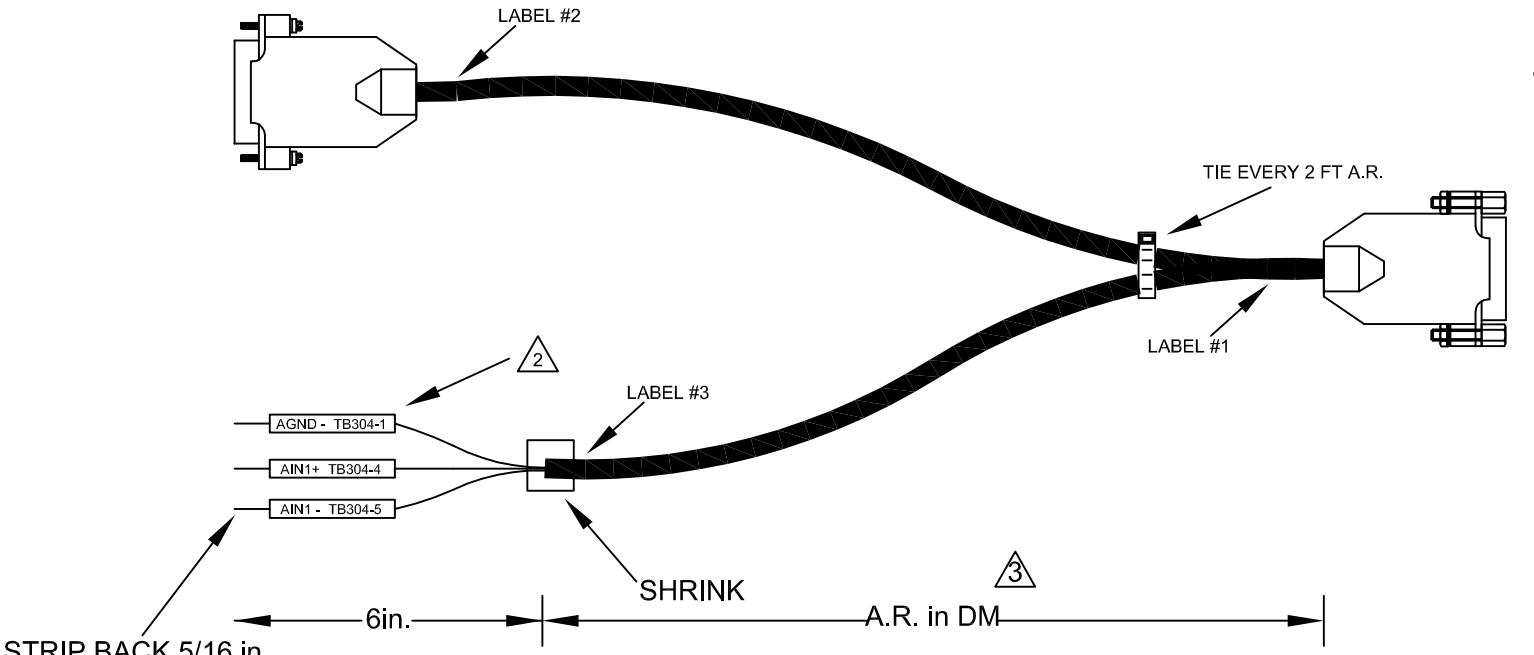


REVISIONS				
SYM.	ZONE	DESCRIPTION	DATE	APPROVAL
-			-	-



- △ WIRE MARKERS
LABEL WIRES WITH BRADY LABELS AS NOTED
PSPT-125-175-WT WIRE MARKING SLEEVE (EIA01161)
- △ CABLE LENGTH
CAUTION, CABLE LENGTHS (XX) ARE IN DECIMETERS
EXAMPLE: C22759-30
30 = 30 DECIMETERS (3 METERS) = 10FT.



LABEL #1 FOR C22759 CABLES: (1) REQUIRED

LABEL #2 FOR C22759 CABLES: (1) REQUIRED

LABEL #3 FOR C22759 CABLES: (1) REQUIRED

C22759-XX
W. O. # / 1 thru X
630B2275-9 REV(X)

TO: NDRIVEHPE #1
AUX IO PORT

TO: NDRIVEHPE #2
IO BOARD

CABLE WRAP LABEL: EIA00113

CABLE WRAP LABEL: EIA00113

CABLE WRAP LABEL: EIA00113

PROPRIETARY INFORMATION
THIS DRAWING IS THE PROPERTY
OF AEROTECH, INC. AND IS
SUBMITTED IN CONFIDENCE AND
SHALL NOT BE REPRODUCED NOR
COPIED NOR DISCLOSED TO OTHERS
UNDER PENALTY OF LAW.

AEROTECH[®] AEROTECH, INC. 101 Zeta Drive
Pittsburgh, PA. 15238
www.aerotech.com

NDRIVE HPE DUAL AXIS JOYSTICK EXTENSION CABLE (JSXT-FLY 26HD-15DU-MAX 300 DM)

TOLERANCES ON		
FRACTIONS	DECIMALS	ANGLES
0 TO 6 $\frac{1}{32}$.XX ± 01	$\pm 0-30'$
OVER 6 $\frac{1}{16}$.XXX ± 005	
RMS FINISH	EXCEPT AS NOTED	

DRAWN	TES	9/1/09	PART CODE	SIZE	REV.
CHECKED	EJB	9/1/09	C22759-XX	B	-
APPD.	AGS	9/1/09	SCALE NTS	FILE NAME	SHEET
				630B2275-901.DWG	1 of 1

630B2275-9