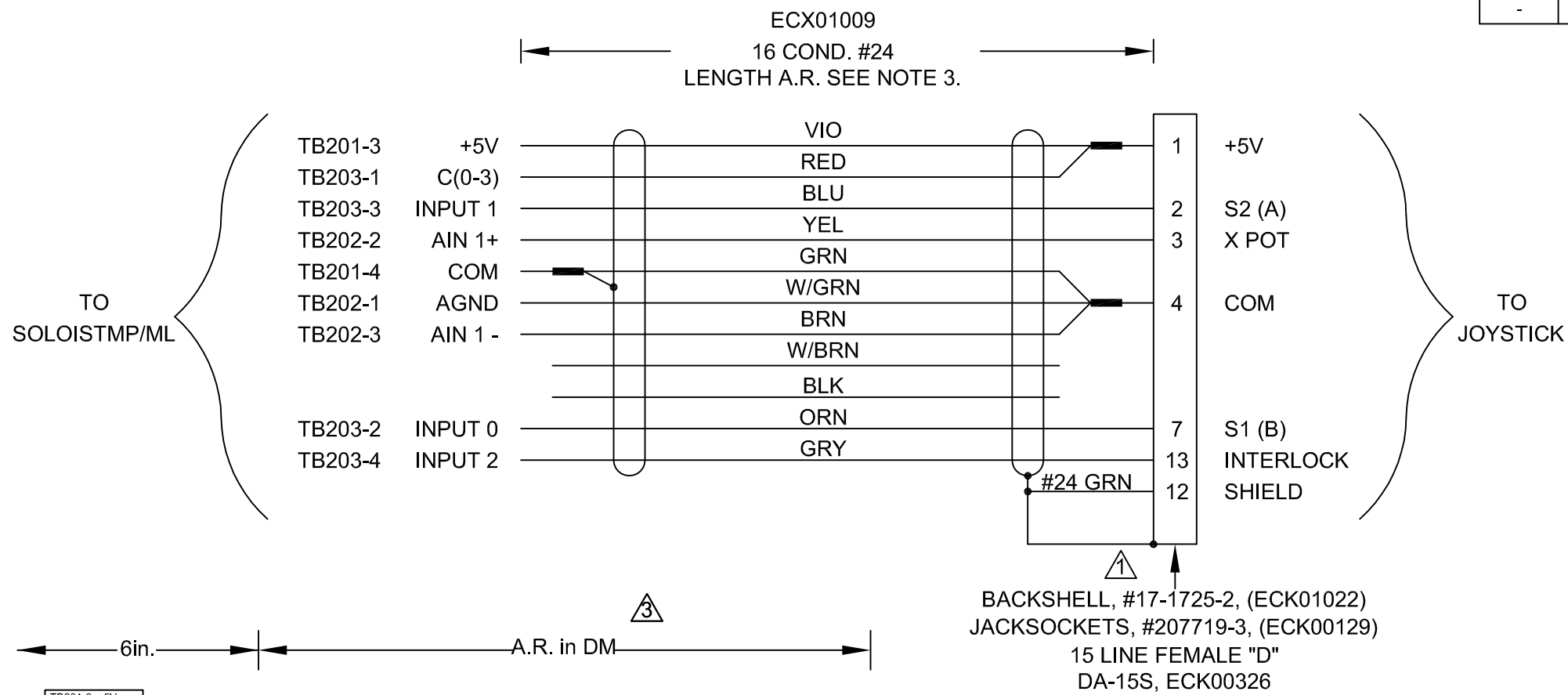
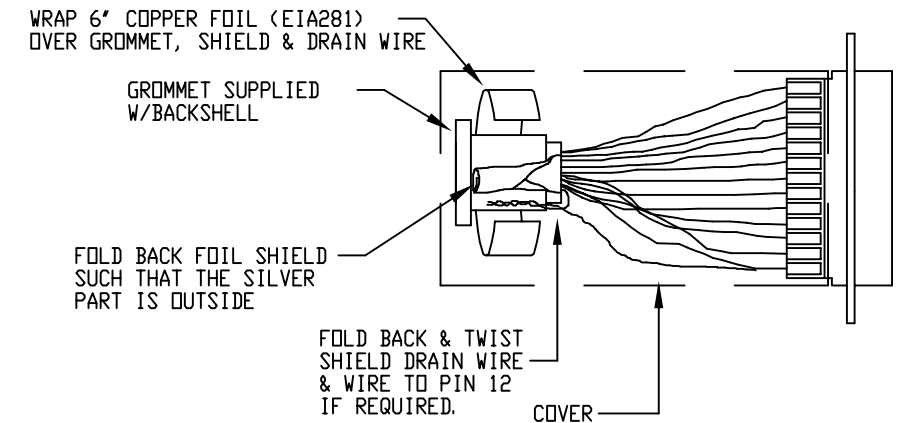


REVISIONS				
SYM.	ZONE	DESCRIPTION	DATE	APPROVAL
-			-	-



△ CONNECTOR SHIELDING

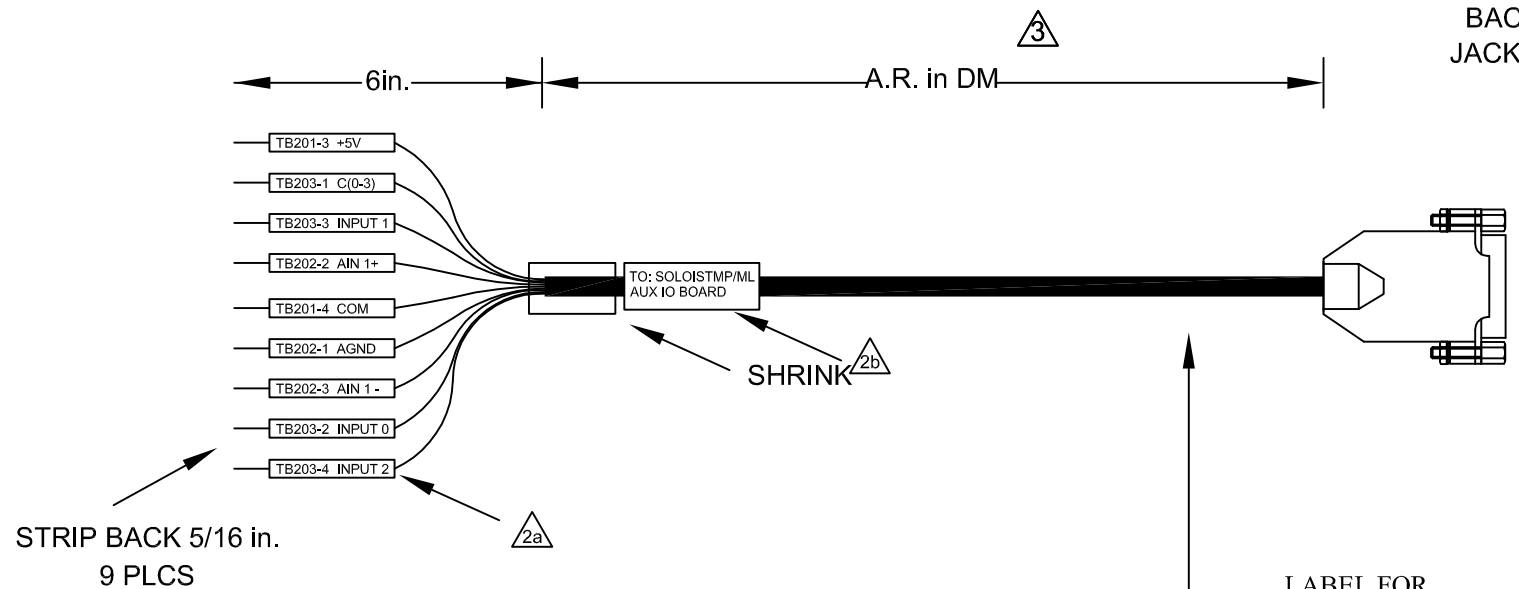


△ WIRE MARKERS

LABEL WIRES WITH BRADY LABELS AS NOTED
a.) PSPT-125-175-WT WIRE MARKING SLEEVE (EIA01161)
b.) PSPT-250-175-WT WIRE MARKING SLEEVE (EIA01163)

△ CABLE LENGTH

CAUTION, CABLE LENGTHS (XX) ARE IN DECIMETERS
EXAMPLE: C22761-30
30 = 30 DECIMETERS (3 METERS) = 10FT.



LABEL FOR
C22761 CABLES:
(1) REQUIRED

C22761-XX
W. O. # / 1 thru X
630B2276-1 REV(X)

CABLE WRAP LABEL: EIA00113

PROPRIETARY INFORMATION
THIS DRAWING IS THE PROPERTY
OF AEROTECH, INC. AND IS
SUBMITTED IN CONFIDENCE AND
SHALL NOT BE REPRODUCED NOR
COPIED NOR DISCLOSED TO OTHERS
UNDER PENALTY OF LAW.



AEROTECH, INC. 101 Zeta Drive
Pittsburgh, PA. 15238
www.aerotech.com

SOLOISTMP/ML SINGLE AXIS JOYSTICK EXTENSION CABLE (JSXT-FLY-15DU-MAX 300 DM)

TOLERANCES ON		
FRACTIONS	DECIMALS	ANGLES
0 TO 6 $\frac{1}{32}$.XX ± 01	$\pm 0-30'$
OVER 6 $\frac{1}{16}$.XXX ± 005	

RMS FINISH EXCEPT AS NOTED

DRAWN	TES	9/1/09
CHECKED	EJB	9/1/09

PART CODE	SIZE	REV.
C22761-XX	B	-
630B2276-1		