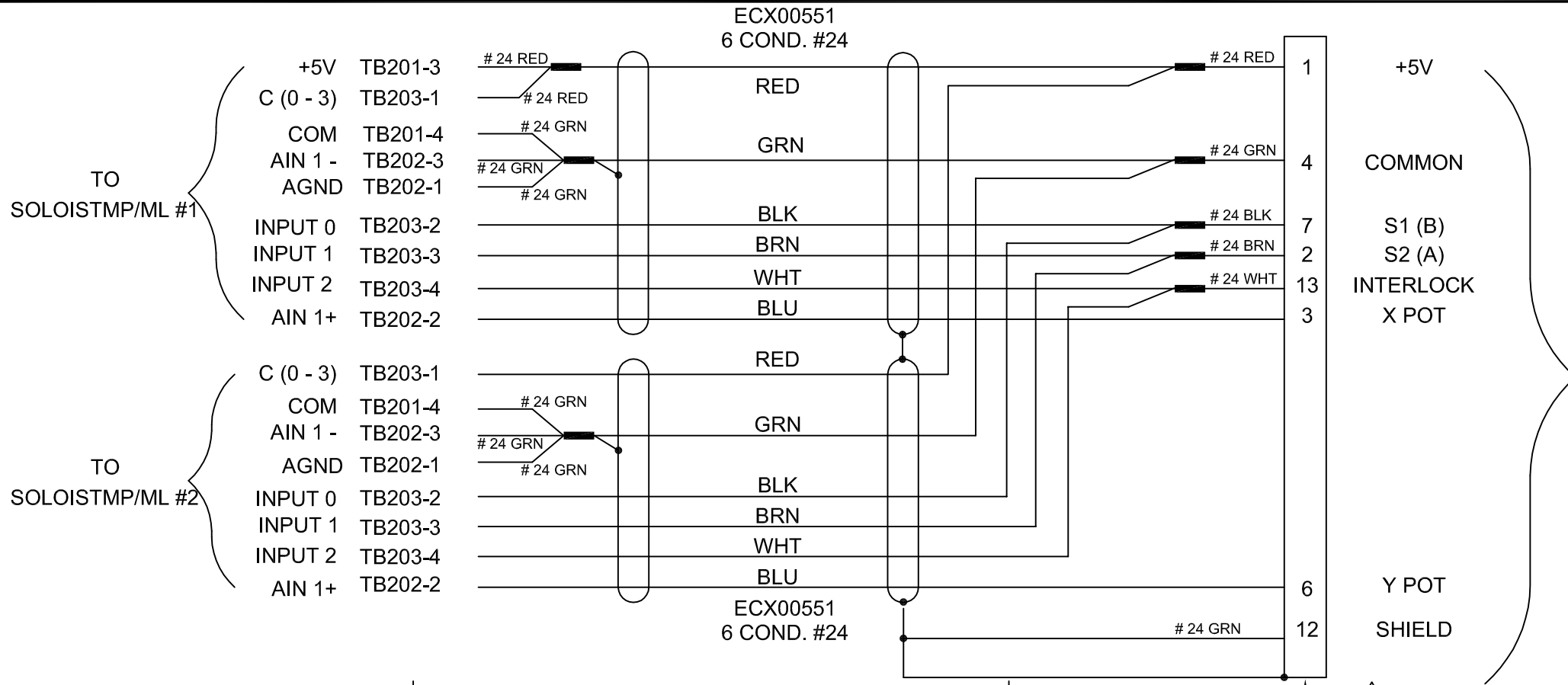
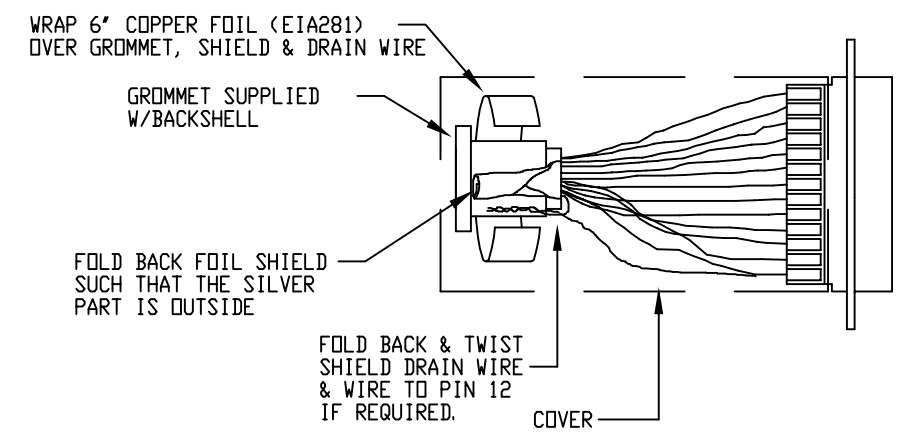


REVISIONS				
SYM.	ZONE	DESCRIPTION	DATE	APPROVAL
-	-	-	-	-



TO JOYSTICK

CONNECTOR SHIELDING



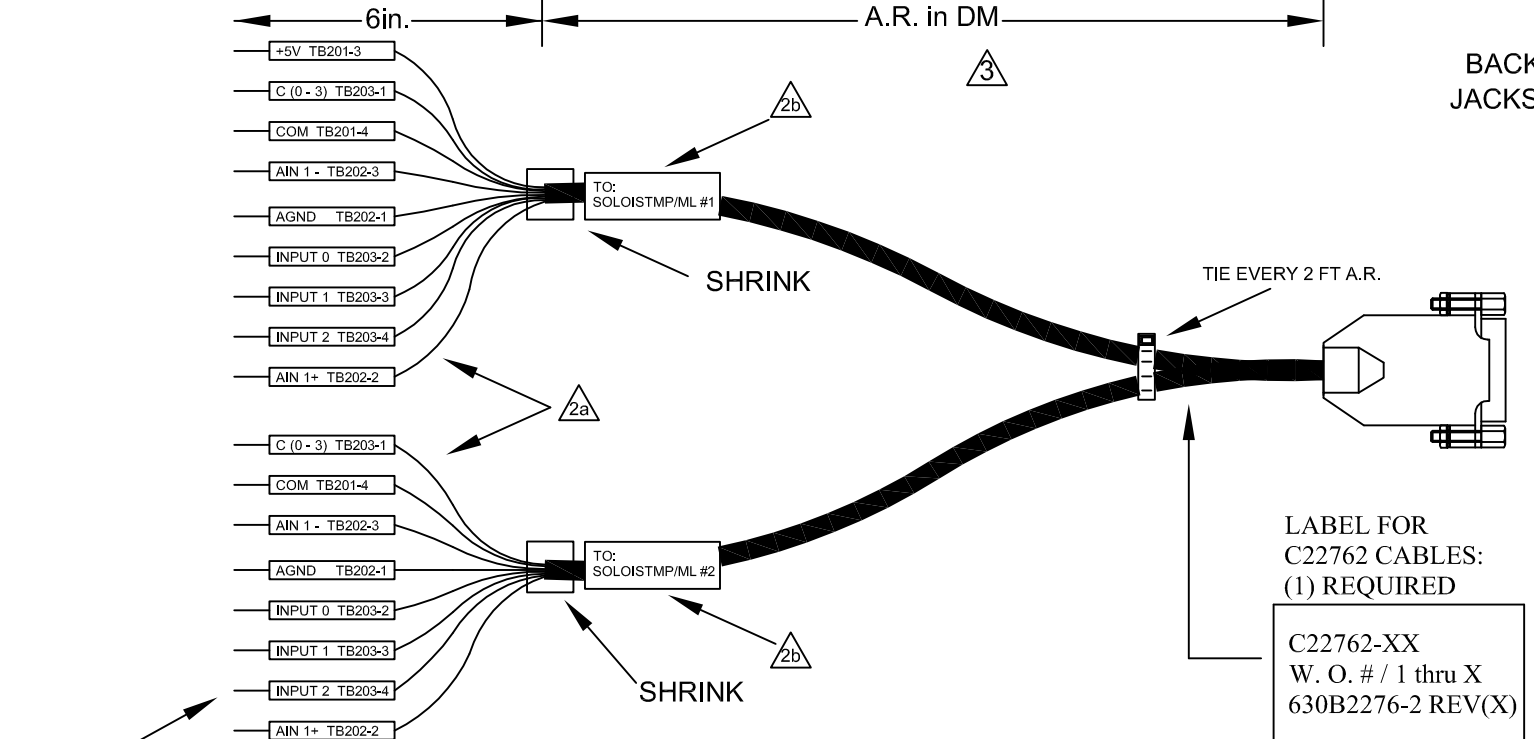
WIRE MARKERS

LABEL WIRES WITH BRADY LABELS AS NOTED
a.) PSPT-125-175-WT WIRE MARKING SLEEVE (EIA01161)
b.) PSPT-250-175-WT WIRE MARKING SLEEVE (EIA01163)

CABLE LENGTH

CAUTION, CABLE LENGTHS (XX) ARE IN DECIMETERS
EXAMPLE: C22762-30
30 = 30 DECIMETERS (3 METERS) = 10FT.

BACKSHELL, #17-1725-2, (ECK01022)
JACKSOCKETS, #207719-3, (ECK00129)
15 LINE FEMALE "D"
DA-15S, ECK00326



PROPRIETARY INFORMATION
THIS DRAWING IS THE PROPERTY OF AEROTECH, INC. AND IS SUBMITTED IN CONFIDENCE AND SHALL NOT BE REPRODUCED NOR COPIED NOR DISCLOSED TO OTHERS UNDER PENALTY OF LAW.



AEROTECH, INC. 101 Zeta Drive
Pittsburgh, PA. 15238
www.aerotech.com

SOLOISTMP/ML DUAL AXIS JOYSTICK EXTENSION CABLE (JSXT-FLY FLY-15DU-MAX 300 DM)

TOLERANCES ON		
FRACTIONS	DECIMALS	ANGLES
0 TO 6 ±1/32	.XX ±01	± 0-30'
OVER 6 ±1/16	.XXX ±005	

RMS FINISH EXCEPT AS NOTED

DRAWN	TES	9/1/09
CHECKED	EJB	9/1/09

PART CODE	SIZE	REV.
C22762-XX	B	-
630B2276-2		