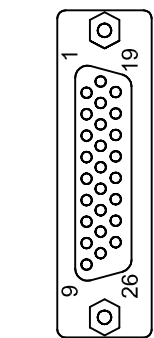


BACKSHELL, #17-1725-2, (ECK01022)  
 JACKSOCKETS, #207719-3, (ECK00129)  
 15 LINE FEMALE "D"  
 DA-15S, ECK00326

26 HD MALE, #K86-AA-26P, (ECK01259)  
 BACKSHELL, #17-1725-2, (ECK01022)

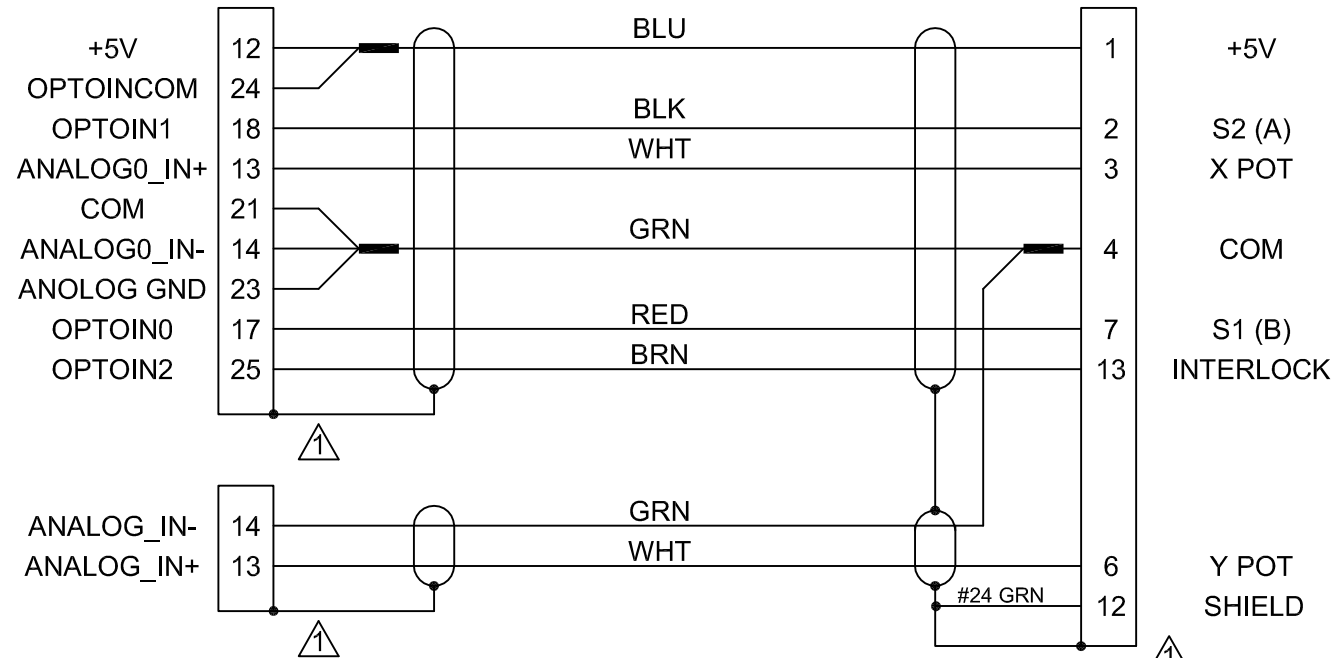
REVISIONS				
SYM.	ZONE	DESCRIPTION	DATE	APPROVAL
-		-	-	-



VIEW FROM  
SOLDER SIDE

TO  
ENSEMBLEHLe #1  
J205 AUX IO  
PORT 0

TO  
ENSEMBLEHLe #2  
J205 AUX IO  
PORT 0



26 HD MALE, #K86-AA-26P, (ECK01259)  
 BACKSHELL, #17-1725-2, (ECK01022)

TO  
JOYSTICK

△ CONNECTOR SHIELDING

WRAP 6" COPPER FOIL (EIA281)  
OVER GROMMET, SHIELD & DRAIN WIRE

GROMMET SUPPLIED  
W/BACKSHELL

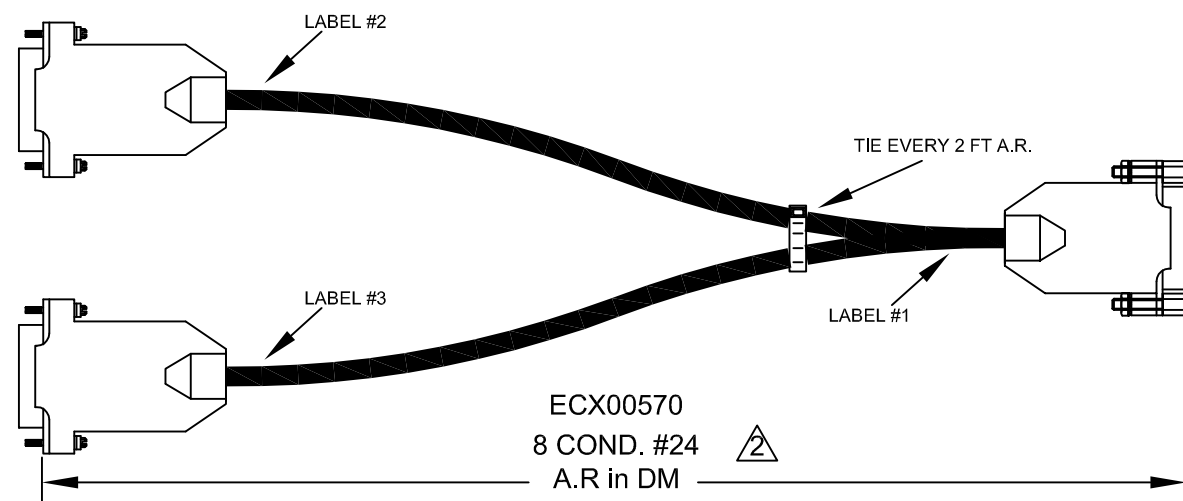
FOLD BACK FOIL SHIELD  
SUCH THAT THE SILVER  
PART IS OUTSIDE

FOLD BACK & TWIST  
SHIELD DRAIN WIRE  
& WIRE TO PIN 12  
IF REQUIRED.

COVER

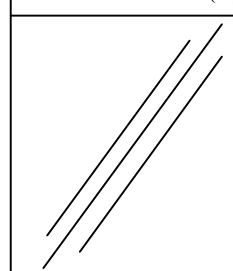
△ CABLE LENGTH

CAUTION, CABLE LENGTHS (XX) ARE IN DECIMETERS  
 EXAMPLE: C227714-30  
 30 = 30 DECIMETERS (3 METERS) = 10FT.



LABEL #1 FOR  
C227714 CABLES:  
(1) REQUIRED

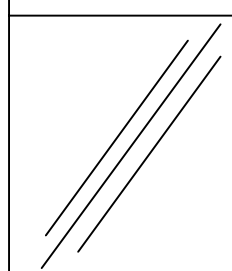
C227714-XX  
W. O. # / 1 thru X  
630B2277-14 REV(X)



CABLE WRAP LABEL: EIA00113

LABEL #2 FOR  
C227714 CABLES:  
(1) REQUIRED

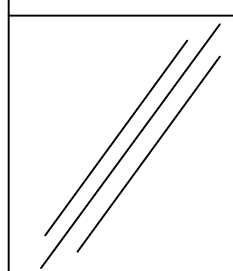
TO: ENSEMBLEHLe #1  
AUX IO PORT



CABLE WRAP LABEL: EIA00113

LABEL #3 FOR  
C227714 CABLES:  
(1) REQUIRED

TO: ENSEMBLEHLe #2  
AUX IO PORT



CABLE WRAP LABEL: EIA00113

PROPRIETARY INFORMATION  
 THIS DRAWING IS THE PROPERTY  
 OF AEROTECH, INC. AND IS  
 SUBMITTED IN CONFIDENCE AND  
 SHALL NOT BE REPRODUCED NOR  
 COPIED NOR DISCLOSED TO OTHERS  
 UNDER PENALTY OF LAW.



AEROTECH, INC. 101 Zeta Drive  
 Pittsburgh, PA. 15238  
 www.aerotech.com

TOLERANCES ON		
FRACTIONS	DECIMALS	ANGLES
0 TO 6 ±1/32	.XX ±01	± 0-30'
OVER 6 ±1/16	.XXX ±005	

RMS FINISH EXCEPT AS NOTED

DRAWN	TES	9/9/09
CHECKED	EJB	9/9/09
APPD.	AGS	9/9/09

**ENSEMBLEHLE DUAL AXIS  
 JOYSTICK EXTENSION CABLE  
 (JSXT-26HD 26HD-15DU-MAX 300 DM)**

PART CODE	SIZE	REV.
C227714-XX	B	-
SCALE NTS	FILE NAME	SHEET
	630B2277-1401.DWG	1 of 1