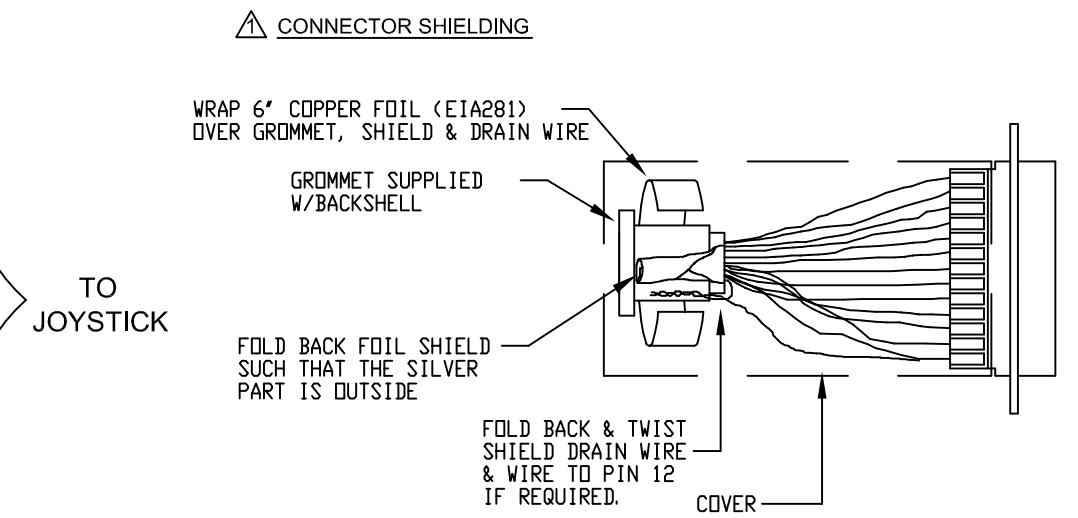
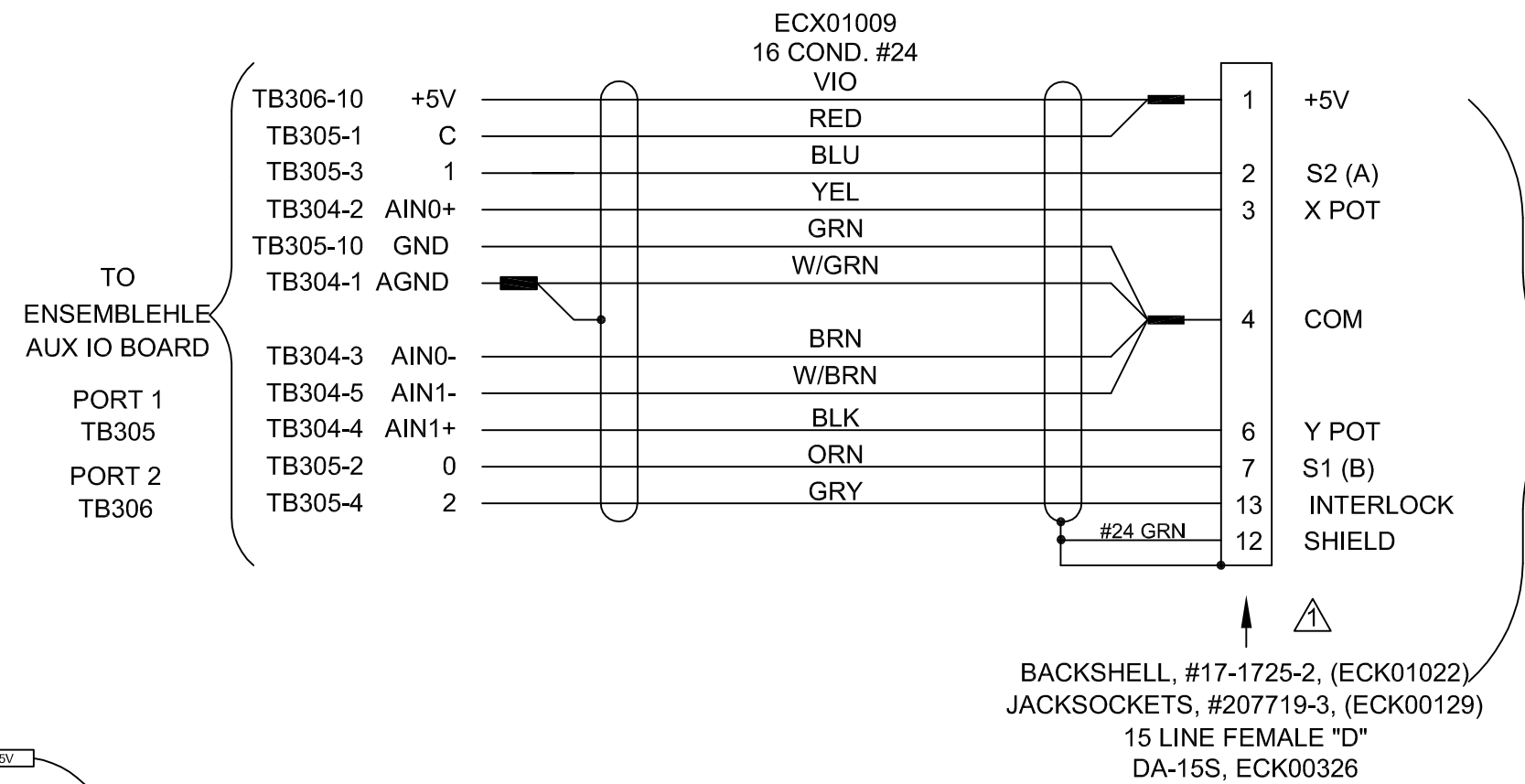


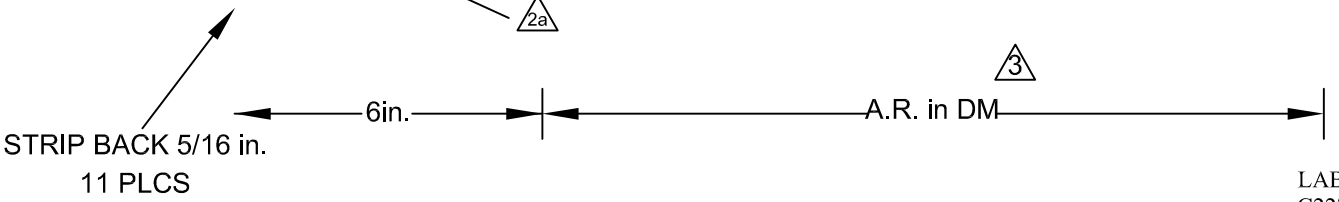
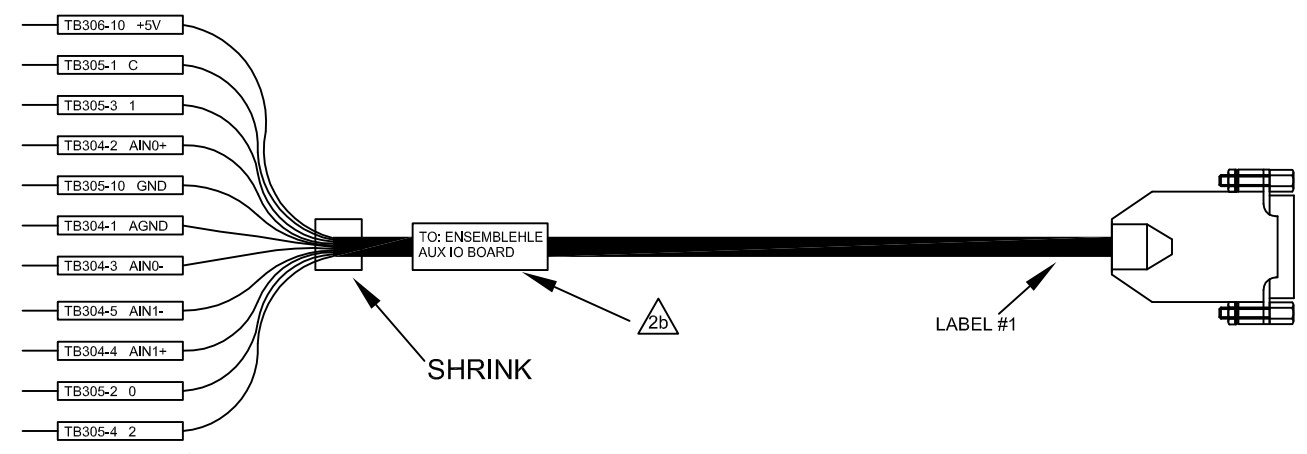
REVISIONS				
SYM.	ZONE	DESCRIPTION	DATE	APPROVAL
-		-	-	-



WIRE MARKERS
 LABEL WIRES WITH BRADY LABELS AS NOTED
 a.) PSPT-125-175-WT WIRE MARKING SLEEVE (EIA01161)
 b.) PSPT-250-175-WT WIRE MARKING SLEEVE (EIA01163)

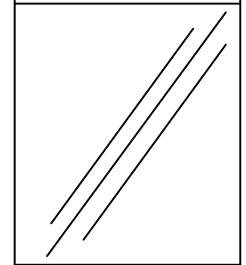
CABLE LENGTH
 CAUTION, CABLE LENGTHS (XX) ARE IN DECIMETERS
 EXAMPLE: C227716-30
 30 = 30 DECIMETERS (3 METERS) = 10FT.

BACKSHELL, #17-1725-2, (ECK01022)
 JACKSOCKETS, #207719-3, (ECK00129)
 15 LINE FEMALE "D"
 DA-15S, ECK00326



LABEL #1 FOR
 C227716 CABLES:
 (1) REQUIRED

C227716-XX
 W. O. # / 1 thru X
 630B2277-16 REV(X)



PROPRIETARY INFORMATION
 THIS DRAWING IS THE PROPERTY
 OF AEROTECH, INC. AND IS
 SUBMITTED IN CONFIDENCE AND
 SHALL NOT BE REPRODUCED NOR
 COPIED NOR DISCLOSED TO OTHERS
 UNDER PENALTY OF LAW.

AEROTECH®
 AEROTECH, INC. 101 Zeta Drive
 Pittsburgh, PA. 15238
 www.aerotech.com

ENSEMBLEHLE DUAL AXIS JOYSTICK EXTENSION CABLE (JSXT-FLY-15DU-MAX 300 DM)

FRACTIONS	DECIMALS	ANGLES
0 TO 6 3/32	.XX ±01	± 0-30'
OVER 6 1/16	.XXX ±005	

RMS FINISH	EXCEPT AS NOTED
	✓

DRAWN	TES	9/1/09
CHECKED	EJB	9/1/09
APPD.	AGS	9/1/09

PART CODE	SIZE	REV.
C227716-XX	B	-

SCALE	FILE NAME	SHEET
NTS	630B2277-1601.DWG	1 of 1