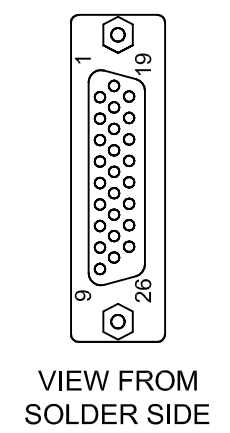


REVISIONS				
SYM.	ZONE	DESCRIPTION	DATE	APPROVAL
-			-	-

26 HD MALE, #K86-AA-26P, (ECK01259)
BACKSHELL, #17-1725-2, (ECK01022)

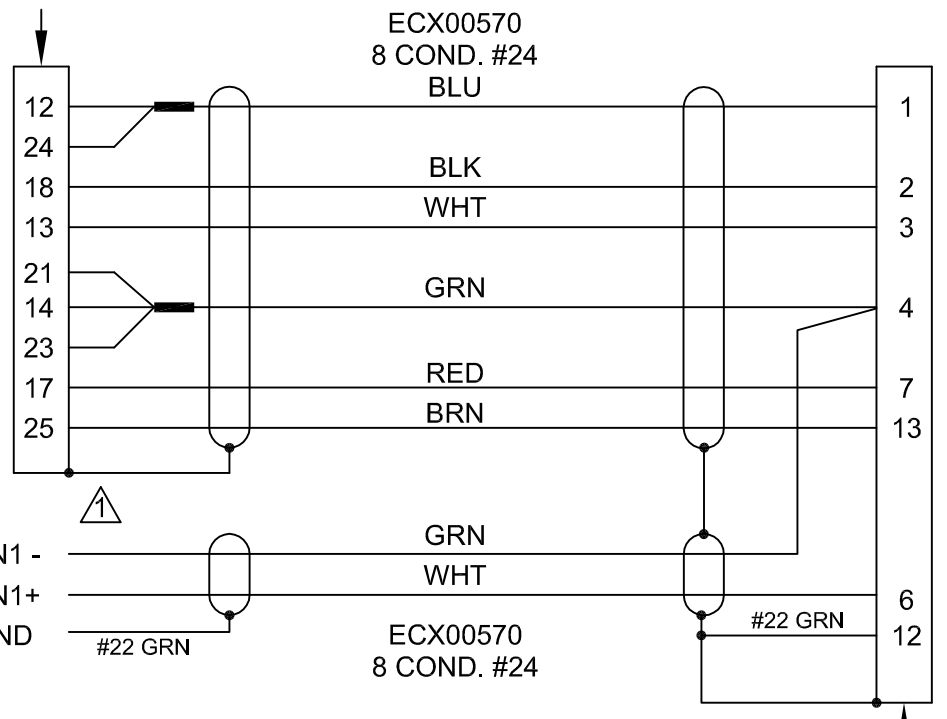


TO ENSEMBLECP #1
J104 AUX IO
PORT 0

TO ENSEMBLECP #2
IO BOARD

+5V
OPTOINCOM
OPTOIN1
ANALOG_IN+
COM
ANALOG_IN-
AGND
OPTOIN0
OPTOIN2

TB201-3 AIN1 -
TB201-2 AIN1+
TB201-1 AGND



BACKSHELL, #17-1725-2, (ECK01022)
JACKSOCKETS, #207719-3, (ECK00129)
15 LINE FEMALE "D"
DA-15S, ECK00326

CONNECTOR SHIELDING

WRAP 6" COPPER FOIL (EIA281)
OVER GROMMET, SHIELD & DRAIN WIRE

GROMMET SUPPLIED
W/BACKSHELL

FOLD BACK FOIL SHIELD
SUCH THAT THE SILVER
PART IS OUTSIDE

FOLD BACK & TWIST
SHIELD DRAIN WIRE
& WIRE TO PIN 12
IF REQUIRED.

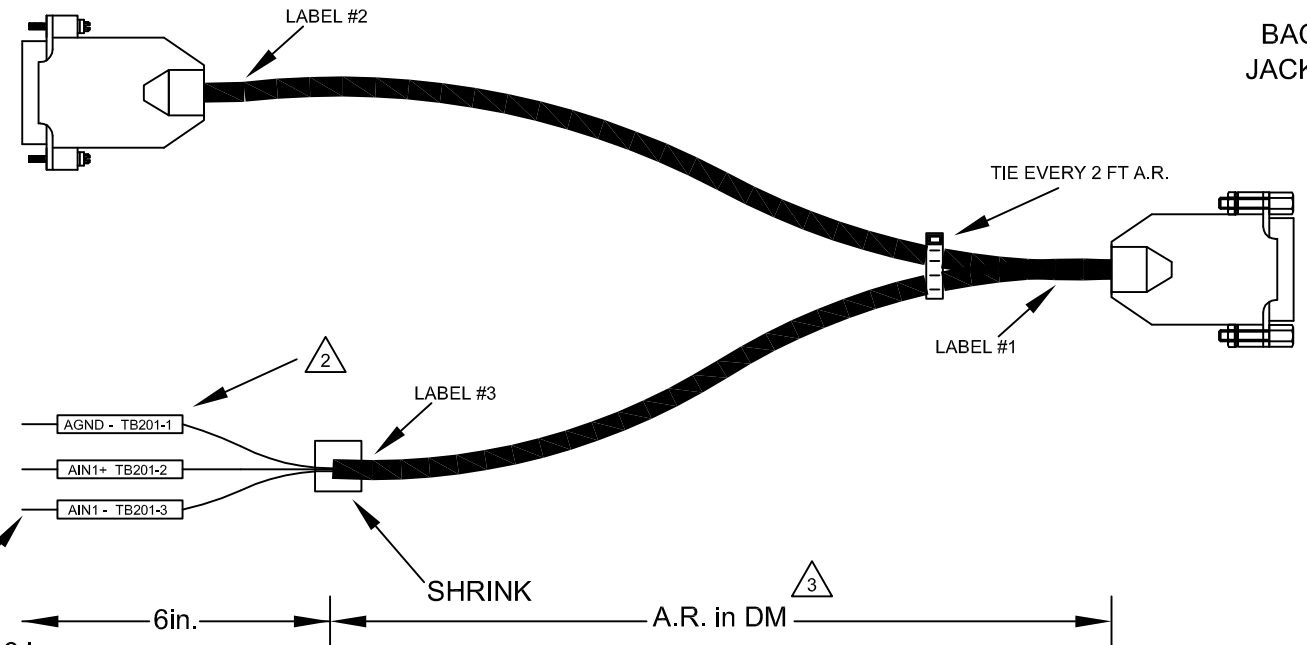
COVER

WIRE MARKERS

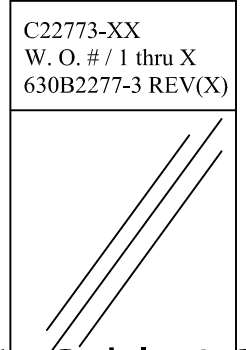
LABEL WIRES WITH BRADY LABELS AS NOTED
PSPT-125-175-WT WIRE MARKING SLEEVE (EIA01161)

CABLE LENGTH

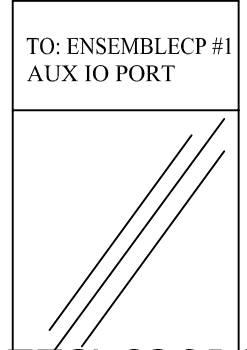
CAUTION, CABLE LENGTHS (XX) ARE IN DECIMETERS
EXAMPLE: C22773-30
30 = 30 DECIMETERS (3 METERS) = 10FT.



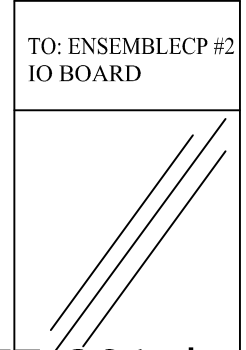
LABEL #1 FOR
C22773 CABLES:
(1) REQUIRED



LABEL #2 FOR
C22773 CABLES:
(1) REQUIRED



LABEL #3 FOR
C22773 CABLES:
(1) REQUIRED



PROPRIETARY INFORMATION
THIS DRAWING IS THE PROPERTY
OF AEROTECH, INC. AND IS
SUBMITTED IN CONFIDENCE AND
SHALL NOT BE REPRODUCED NOR
COPIED NOR DISCLOSED TO OTHERS
UNDER PENALTY OF LAW.



AEROTECH, INC. 101 Zeta Drive
Pittsburgh, PA. 15238
www.aerotech.com

ENSEMBLECP DUAL AXIS JOYSTICK EXTENSION CABLE (JSXT-FLY 26HD-15DU-MAX 300 DM)

TOLERANCES ON		
FRACTIONS	DECIMALS	ANGLES
0 TO 6 $\frac{1}{32}$.XX ± 0.1	$\pm 0-30'$
OVER 6 $\frac{1}{16}$.XXX ± 0.05	
RMS FINISH	EXCEPT AS NOTED	

DRAWN	TES	9/1/09	PART CODE	SIZE	REV.
CHECKED	EJB	9/1/09	C22773-XX	B	-
			630B2277-3		