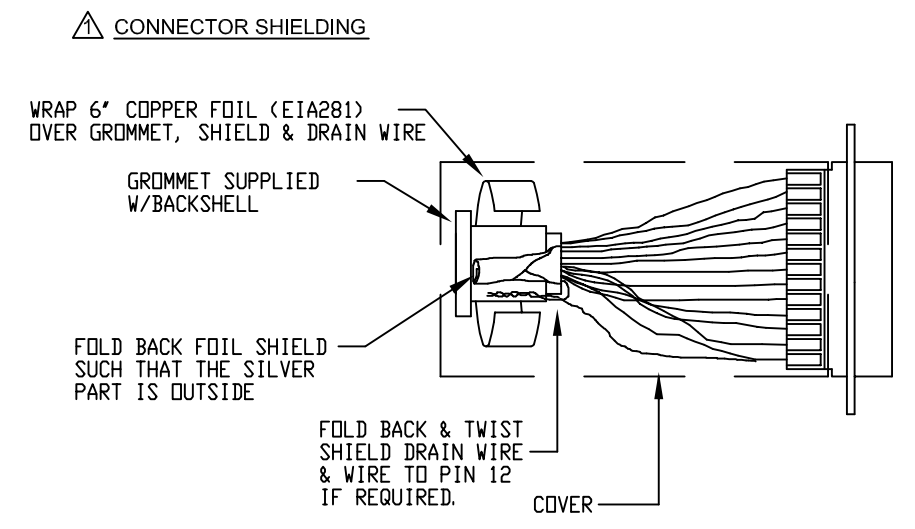
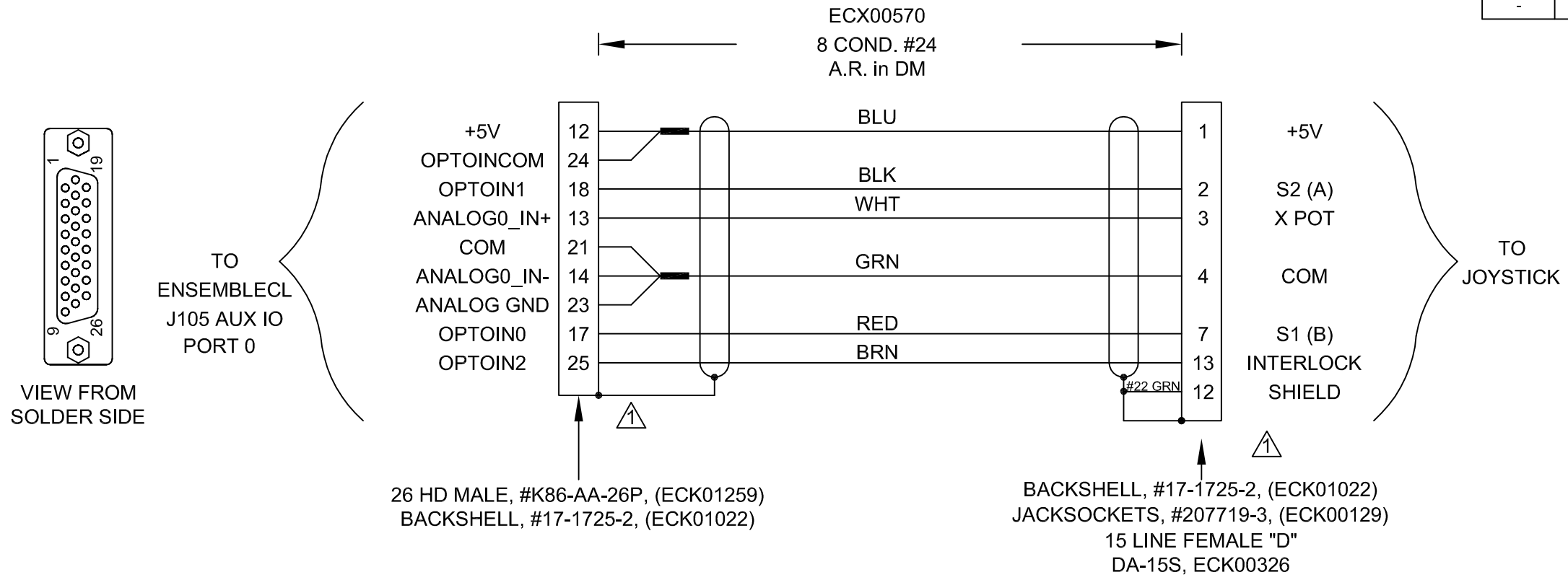
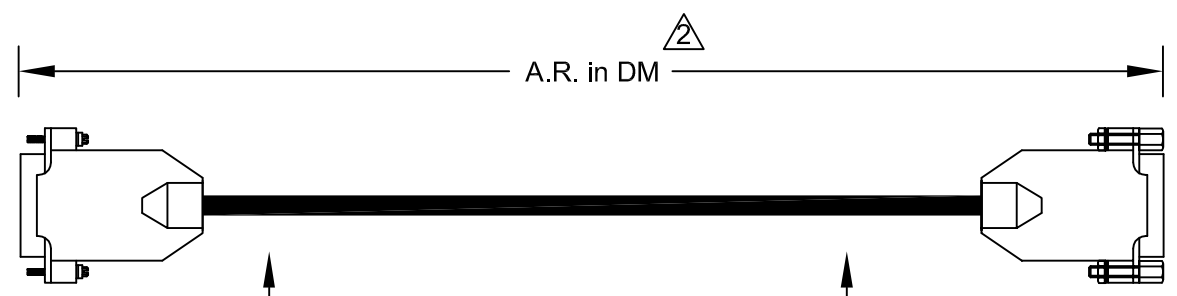


REVISIONS				
SYM.	ZONE	DESCRIPTION	DATE	APPROVAL
-		-	-	-

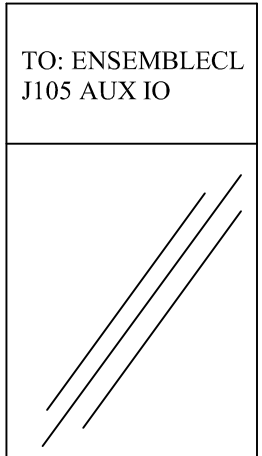


△ CONNECTOR SHIELDING
 WRAP 6" COPPER FOIL (EIA281) OVER GROMMET, SHIELD & DRAIN WIRE
 GROMMET SUPPLIED W/BACKSHELL
 FOLD BACK FOIL SHIELD SUCH THAT THE SILVER PART IS OUTSIDE
 FOLD BACK & TWIST SHIELD DRAIN WIRE & WIRE TO PIN 12 IF REQUIRED.
 COVER

△ CABLE LENGTH
 CAUTION, CABLE LENGTHS (XX) ARE IN DECIMETERS
 EXAMPLE: C22777-30
 30 = 30 DECIMETERS (3 METERS) = 10FT.

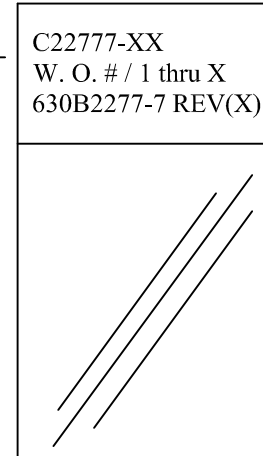


LABEL FOR C22777 CABLES:



CABLE WRAP LABEL: EIA00113

LABEL FOR C22777 CABLES:



CABLE WRAP LABEL: EIA00113

PROPRIETARY INFORMATION
 THIS DRAWING IS THE PROPERTY OF AEROTECH, INC. AND IS SUBMITTED IN CONFIDENCE AND SHALL NOT BE REPRODUCED NOR COPIED NOR DISCLOSED TO OTHERS UNDER PENALTY OF LAW.



AEROTECH, INC. 101 Zeta Drive
 Pittsburgh, PA. 15238
 www.aerotech.com

ENSEMBLECL SINGLE AXIS JOYSTICK EXTENSION CABLE (JSXT-26HD-15DU-MAX 300 DM)

TOLERANCES ON		
FRACTIONS	DECIMALS	ANGLES
0 TO 6 ±1/32	.XX ±01	± 0-30'
OVER 6 ±1/16	.XXX ±005	

RMS FINISH EXCEPT AS NOTED

DRAWN	TES	9/9/09
CHECKED	EJB	9/9/09

PART CODE	SIZE	REV.
C22777-XX	B	-
630B2277-7		