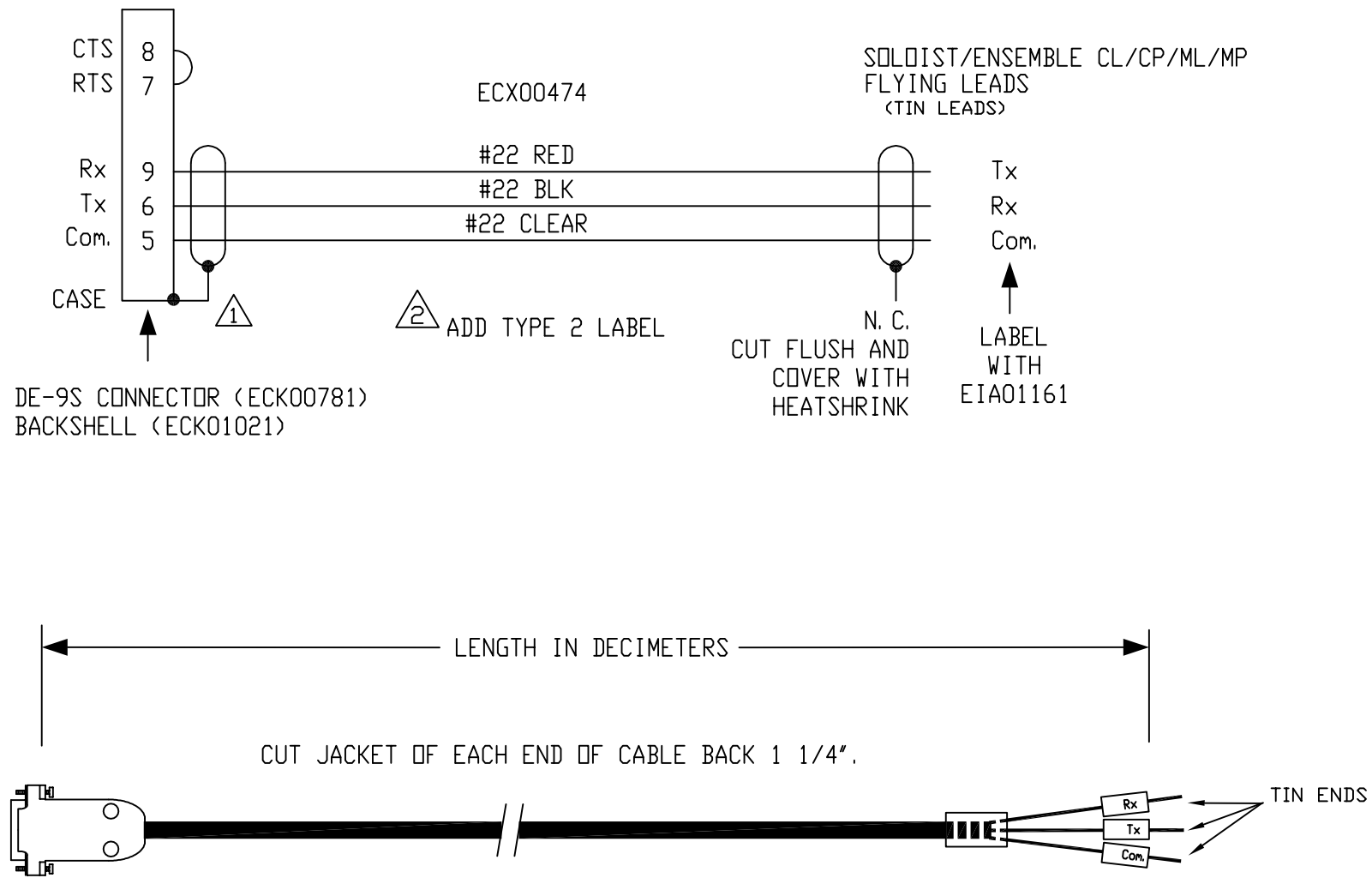
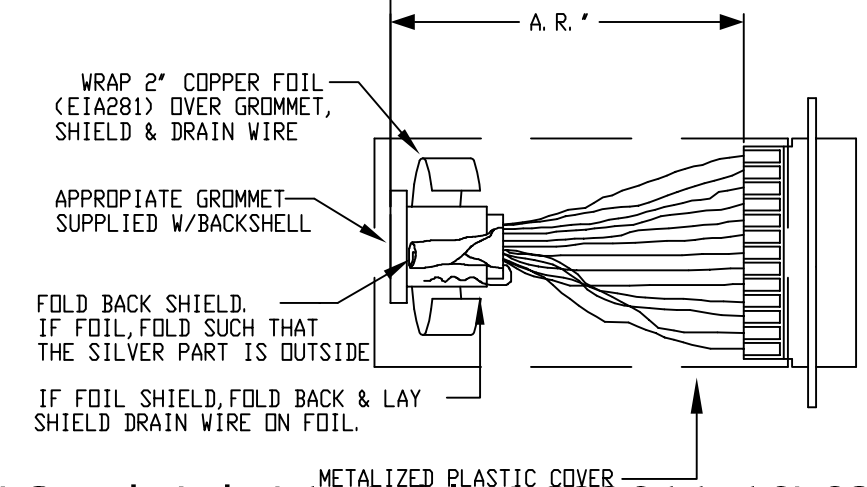


REVISIONS				
REV.	ZONE	DESCRIPTION	DATE	DRAWN

MAPLE HMI-5043N OPERATOR INTERFACE RS-232C PORT



1 SHIELD TERMINATION



2 LABEL INFORMATION

P/N: C23011-10  
W/N: XXXXXX/X  
DWG: 630B2301-1 REV x

TYPE 2 LABEL-EIA113  
XX = CABLE LENGTH IN DECIMETERS

QTY.: 1 WORK ORDER: \_\_\_\_\_  
 CUSTOMER NAME: XXXXXXXXX  
 ORDER NUMBER: #####  
 APPROVED BY: XXX  
 RELEASE DATE: ###/###/####  
 CUST FILE NAME: ##### 630B2301 Maple RS232 Cbl.Dwg

PROPRIETARY INFORMATION THIS DRAWING IS THE PROPERTY OF AEROTECH, INC. AND IS SUBMITTED IN CONFIDENCE AND SHALL NOT BE REPRODUCED NOR COPIED NOR DISCLOSED TO OTHERS UNDER PENALTY OF LAW.			AEROTECH, INC. 101 Zeta Drive Pittsburgh, PA. 15238 (412)963-7470 TWX710-795-3125		
TOLERANCES ON FRACTIONS DECIMALS ANGLES 0 TO 6 ± 1/32 .XX ± .01 ± 0-30' OVER 6 ± 1/16 .XXX ± .005			SOLOIST / ENSEMBLE CL, CP, ML, MP TO MAPLE HMI-5043N OPERATOR INTERFACE (RS-232 FL-9DU)		
RMS FINISH <input checked="" type="checkbox"/> EXCEPT AS NOTED			PART CODE SIZE <b>C23011-10 B</b>		
DRAWN 6/25/2010 JFM CHECKED 6/25/2010 AGS APPD. 6/25/2010 JFM			SCALE NTS FILE NAME 630B2301-001.Dwg SHEET 1 OF 1		
REV. -			<b>630B2301-1</b>		