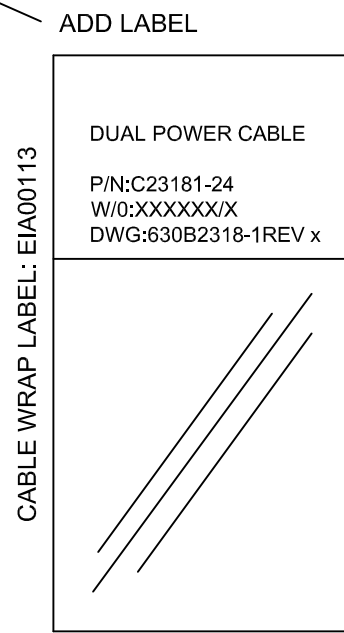
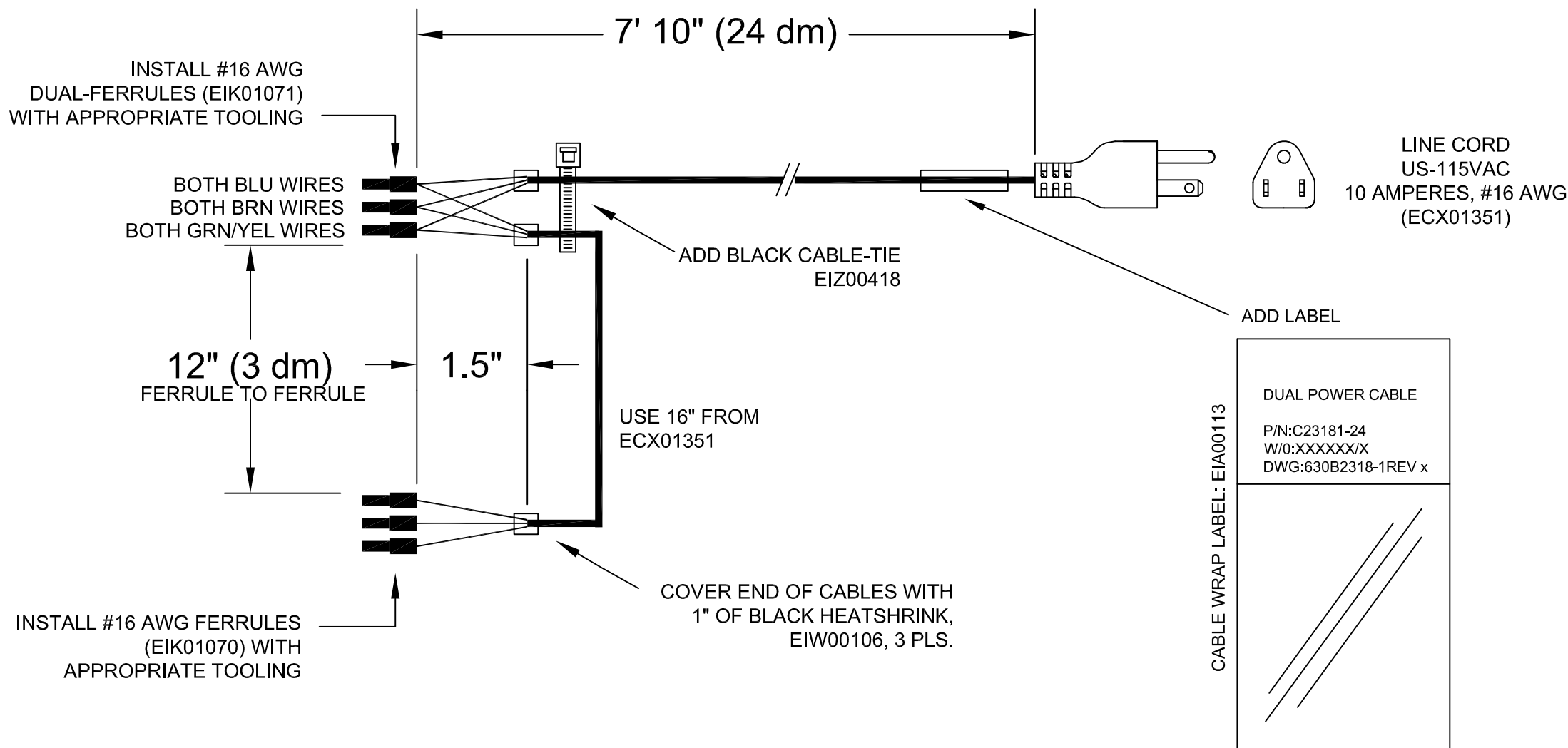


REVISIONS			
REV.	DESCRIPTION	DRAWN	DATE
A	ADDED ECO 503	JFM	11/20/2017



**PROPRIETARY INFORMATION**  
 THIS DRAWING IS THE PROPERTY  
 OF AEROTECH, INC. AND IS  
 SUBMITTED IN CONFIDENCE AND  
 SHALL NOT BE REPRODUCED NOR  
 COPIED NOR DISCLOSED TO OTHERS  
 UNDER PENALTY OF LAW.



AEROTECH, INC. 101 Zeta Drive  
 Pittsburgh, PA. 15238  
 (412)963-7470  
 www.aerotech.com

TOLERANCES ON		
FRACTIONS	DECIMALS	ANGLES
0 TO 6 ±1/32	.XX ±01	± 0-30'
OVER 6 ±1/16	.XXX ±.005	

**DUAL POWER CABLE (12" Split)**  
**115 VAC, 10 Ampere**  
**(Control and Bus Power)**

RMS FINISH EXCEPT AS NOTED

DRAWN	11/9/2010	JFM
CHECKED	11/10/2010	AGS
APPD.	11/10/2010	JFM

PART CODE	SIZE	REV.
C23181-24	B	A
SCALE ~		FILE NAME 630B2318-1.Dwg
SHEET 1 OF 1		

**630B2318-1**