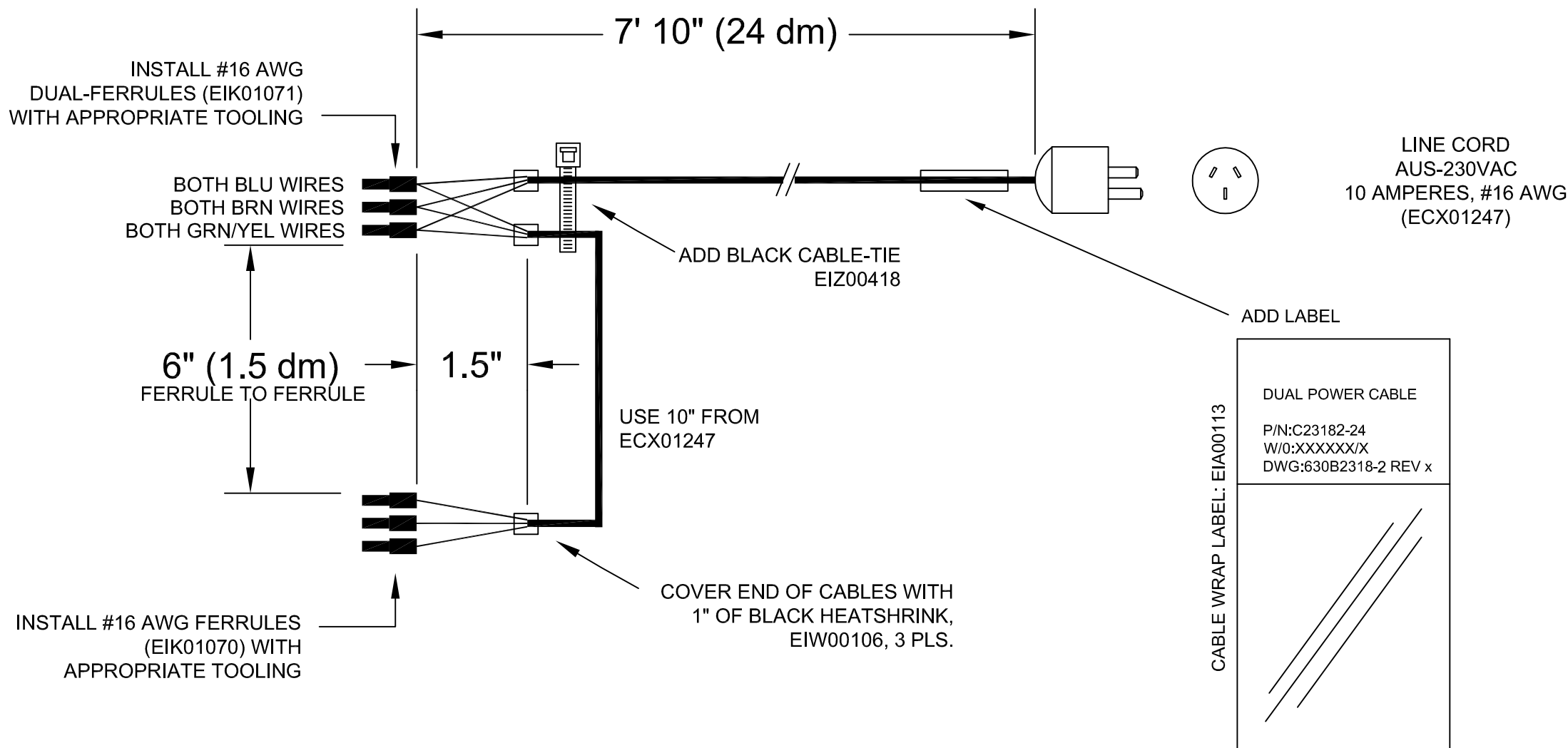


REVISIONS			
REV.	DESCRIPTION	DRAWN	DATE
A	ADDED ECO 503	JFM	11/20/2017



PROPRIETARY INFORMATION
 THIS DRAWING IS THE PROPERTY
 OF AEROTECH, INC. AND IS
 SUBMITTED IN CONFIDENCE AND
 SHALL NOT BE REPRODUCED NOR
 COPIED NOR DISCLOSED TO OTHERS
 UNDER PENALTY OF LAW.



AEROTECH, INC. 101 Zeta Drive
 Pittsburgh, PA. 15238
 (412)963-7470
 www.aerotech.com

TOLERANCES ON		
FRACTIONS	DECIMALS	ANGLES
0 TO 6 ±1/32	.XX ±01	± 0-30'
OVER 6 ±1/16	.XXX ±.005	

RMS FINISH EXCEPT AS NOTED

DUAL POWER CABLE (6" Split) 230 VAC, 10 Ampere, Australia (Control and Bus Power)

DRAWN	6/7/2012	JFM	PART CODE	SIZE	REV.
CHECKED	6/7/2012	AGS	C23182-24	B	A
APPD.	6/7/2012	JFM	SCALE	~	
			FILE NAME	630B2318-2.Dwg	SHEET
					1 OF 1

630B2318-2