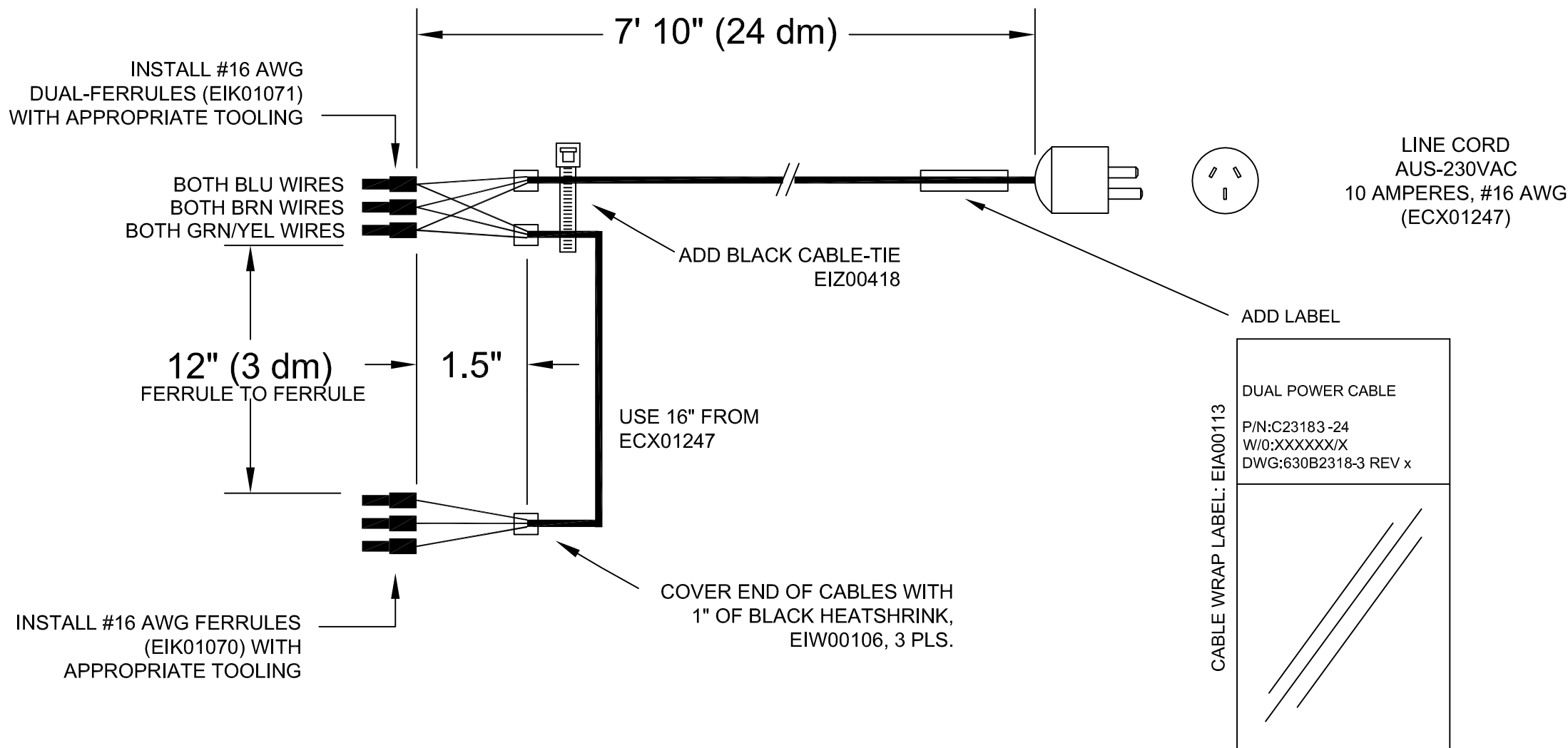


| REVISIONS | | | |
|-----------|---------------|-------|------------|
| REV. | DESCRIPTION | DRAWN | DATE |
| A | ADDED ECO 503 | JFM | 11/20/2017 |



PROPRIETARY INFORMATION
THIS DRAWING IS THE PROPERTY
OF AEROTECH, INC. AND IS
SUBMITTED IN CONFIDENCE AND
SHALL NOT BE REPRODUCED NOR
COPIED NOR DISCLOSED TO OTHERS
UNDER PENALTY OF LAW.



AEROTECH, INC. 101 Zeta Drive
Pittsburgh, PA. 15238
(412)963-7470
www.aerotech.com

| TOLERANCES ON | | |
|---------------|------------|---------|
| FRACTIONS | DECIMALS | ANGLES |
| 0 TO 6 ±1/32 | .XX ±01 | ± 0-30' |
| OVER 6 ±1/16 | .XXX ±.005 | |

RMS FINISH EXCEPT AS NOTED

DUAL POWER CABLE (12" Split)
230 VAC, 10 Ampere, Australia
(Control and Bus Power)

| | | | | | |
|---------|----------|-----|-------------------|--------------------------|--------------|
| DRAWN | 6/7/2012 | JFM | PART CODE | SIZE | REV. |
| CHECKED | 6/7/2012 | AGS | C23183-24 | B | A |
| APPD. | 6/7/2012 | JFM | SCALE ~ | FILE NAME 630B2318-3.Dwg | SHEET 1 OF 1 |
| | | | 630B2318-3 | | |