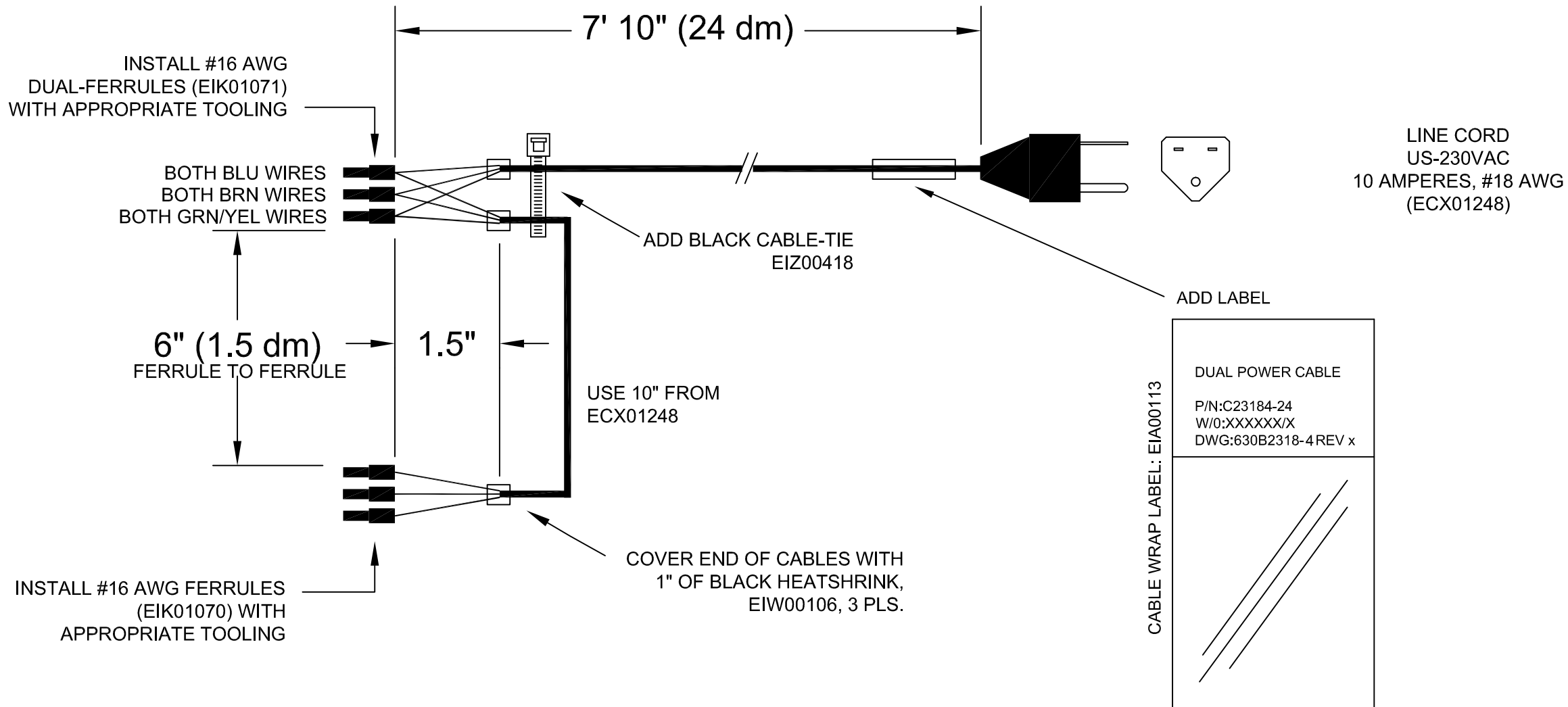


REVISIONS			
REV.	DESCRIPTION	DRAWN	DATE
A	ADDED ECO 503	JFM	11/20/2017



PROPRIETARY INFORMATION  
THIS DRAWING IS THE PROPERTY  
OF AEROTECH, INC. AND IS  
SUBMITTED IN CONFIDENCE AND  
SHALL NOT BE REPRODUCED NOR  
COPIED NOR DISCLOSED TO OTHERS  
UNDER PENALTY OF LAW.



AEROTECH, INC. 101 Zeta Drive  
Pittsburgh, PA. 15238  
(412)963-7470  
www.aerotech.com

TOLERANCES ON		
FRACTIONS	DECIMALS	ANGLES
0 TO 6 ±1/32	.XX ±01	± 0-30'
OVER 6 ±1/16	.XXX ±.005	

RMS FINISH EXCEPT AS NOTED

**DUAL POWER CABLE (6" Split)**  
**230 VAC, 10 Ampere, USA**  
**(Control and Bus Power)**

DRAWN	8/16/2015	BEB	PART CODE	SIZE	REV.
CHECKED	8/16/2016	AGS	C23184-24	B	A
APPD.	8/16/2016	AGS	SCALE ~	FILE NAME 630B2318-4.Dwg	SHEET 1 OF 1
			<b>630B2318-4</b>		