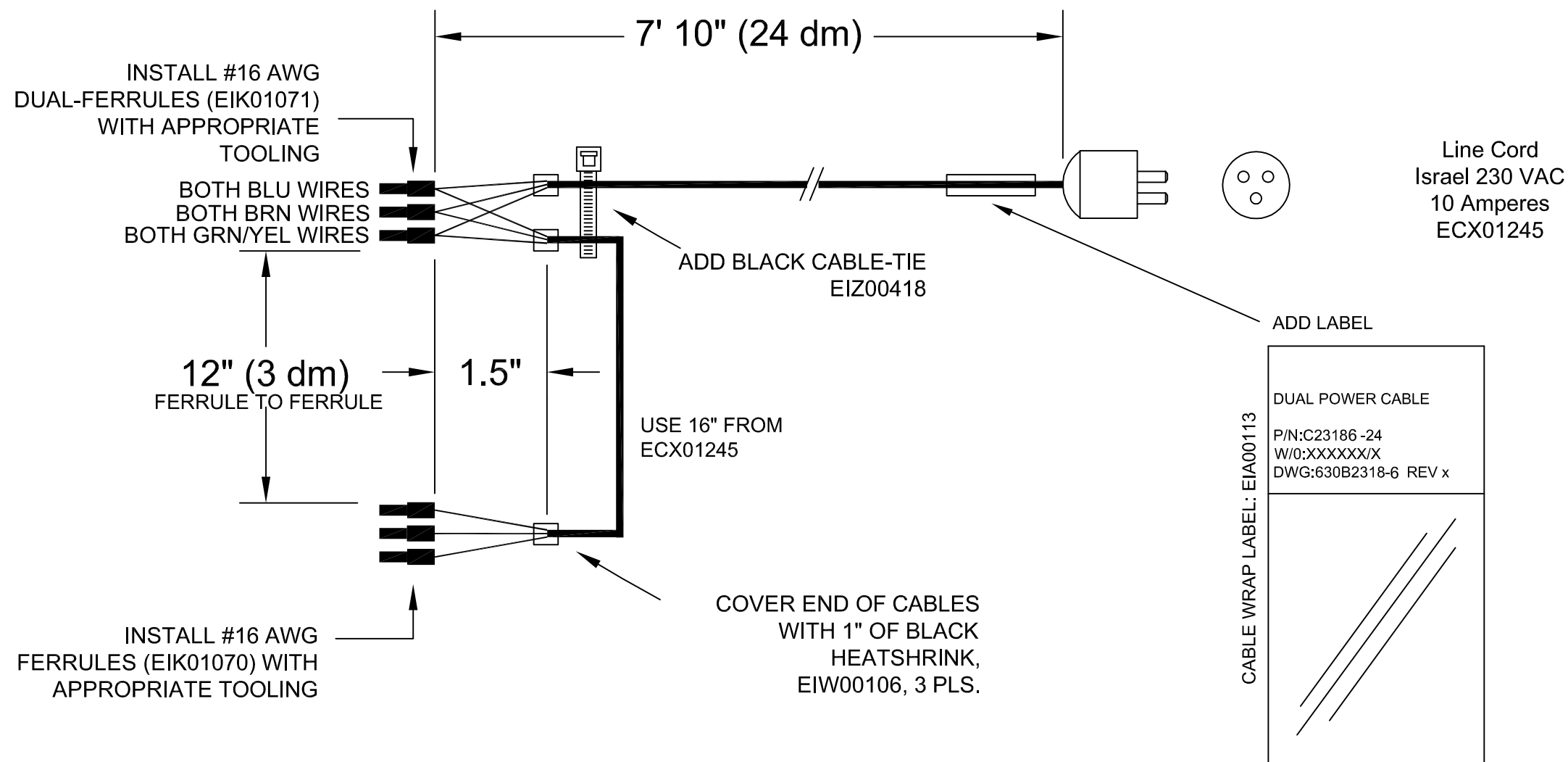


REVISIONS			
REV.	DESCRIPTION	DRAWN	DATE
A	ADDED ECO 503	JFM	11/20/2017



PROPRIETARY INFORMATION
 THIS DRAWING IS THE PROPERTY
 OF AEROTECH, INC. AND IS
 SUBMITTED IN CONFIDENCE AND
 SHALL NOT BE REPRODUCED NOR
 COPIED NOR DISCLOSED TO OTHERS
 UNDER PENALTY OF LAW.



AEROTECH, INC. 101 Zeta Drive
 Pittsburgh, PA. 15238
 (412)963-7470
 www.aerotech.com

TOLERANCES ON		
FRACTIONS	DECIMALS	ANGLES
0 TO 6 ±1/32	.XX ±01	± 0-30'
OVER 6 ±1/16	.XXX ±.005	

RMS FINISH EXCEPT AS NOTED

DUAL POWER CABLE (12" Split) 230 VAC, 10 Ampere, Israel (Control and Bus Power)

DRAWN	4/12/2017	JFM
CHECKED	4/12/2017	JAB
APPD.	4/12/2017	JFM

PART CODE	SIZE	REV.
C23186-24	B	A
SCALE ~		FILE NAME 630B2318-6.Dwg
SHEET 1 OF 1		

630B2318-6