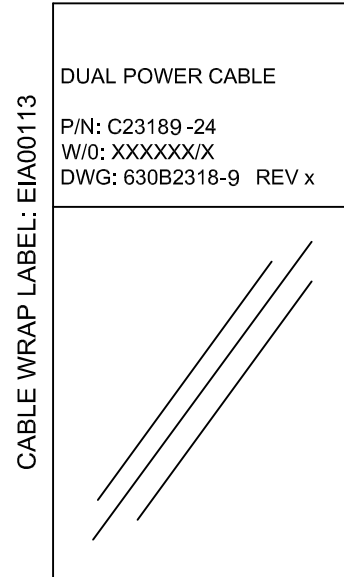
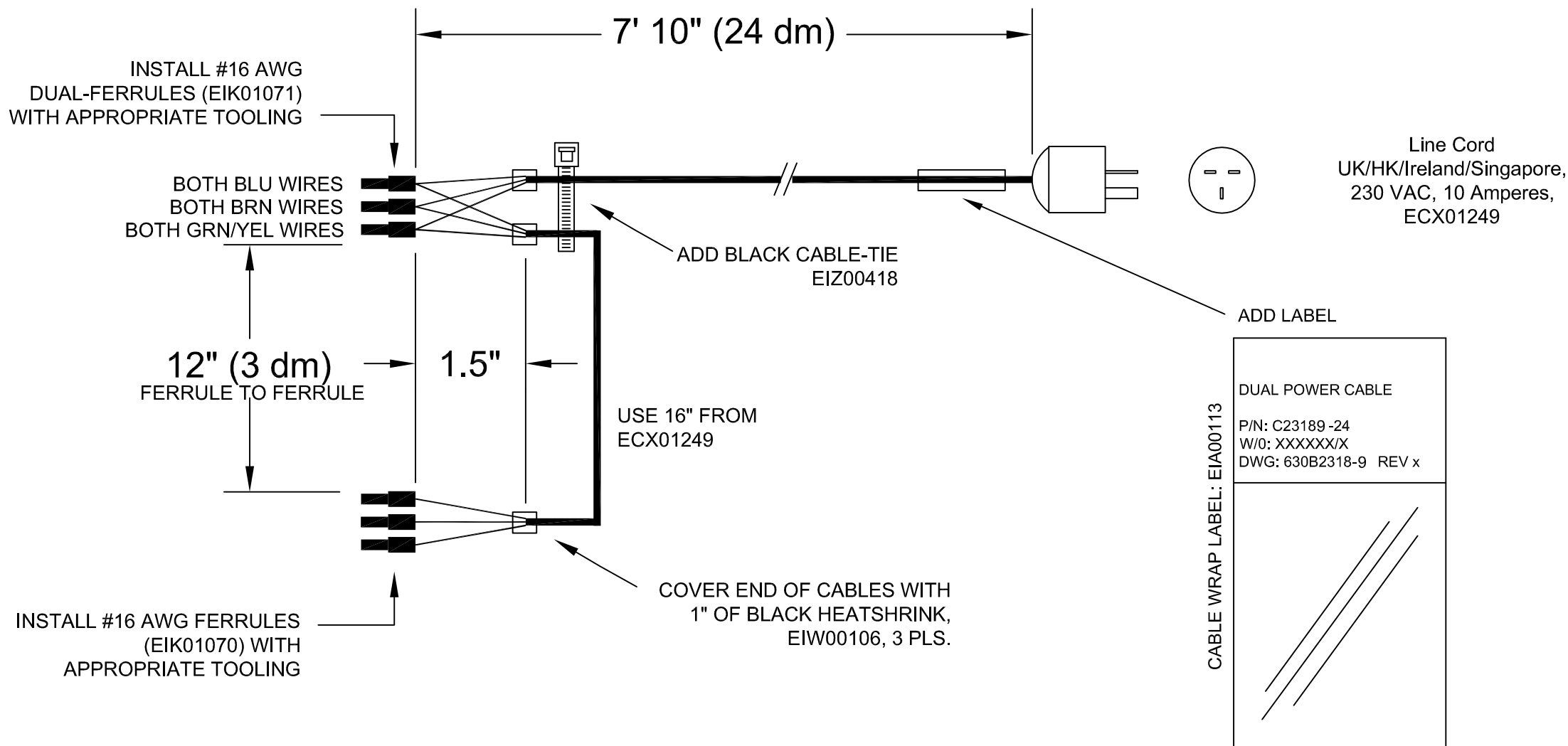


| REVISIONS | | | |
|-----------|---------------|-------|------------|
| REV. | DESCRIPTION | DRAWN | DATE |
| A | ADDED ECO 503 | JFM | 11/20/2017 |



PROPRIETARY INFORMATION
THIS DRAWING IS THE PROPERTY OF AEROTECH, INC. AND IS SUBMITTED IN CONFIDENCE AND SHALL NOT BE REPRODUCED NOR COPIED NOR DISCLOSED TO OTHERS UNDER PENALTY OF LAW.



AEROTECH, INC. 101 Zeta Drive
Pittsburgh, PA. 15238
(412)963-7470
www.aerotech.com

| TOLERANCES ON | | |
|---------------|------------|---------|
| FRACTIONS | DECIMALS | ANGLES |
| 0 TO 6 ±1/32 | .XX ±01 | ± 0-30' |
| OVER 6 ±1/16 | .XXX ±.005 | |

DUAL POWER CABLE (12" Split)
**230 VAC, 10 Ampere, Singapore/
UK/HK/Ireland (Control and Bus Power)**

| RMS FINISH | EXCEPT AS NOTED |
|------------|-----------------|
| DRAWN | 4/12/2017 JFM |
| CHECKED | 4/12/2017 JAB |
| APPD. | 4/12/2017 JFM |

| PART CODE | SIZE | REV. |
|-----------|--------------------------|--------------|
| C23189-24 | B | A |
| SCALE ~ | FILE NAME 630B2318-9.Dwg | SHEET 1 OF 1 |