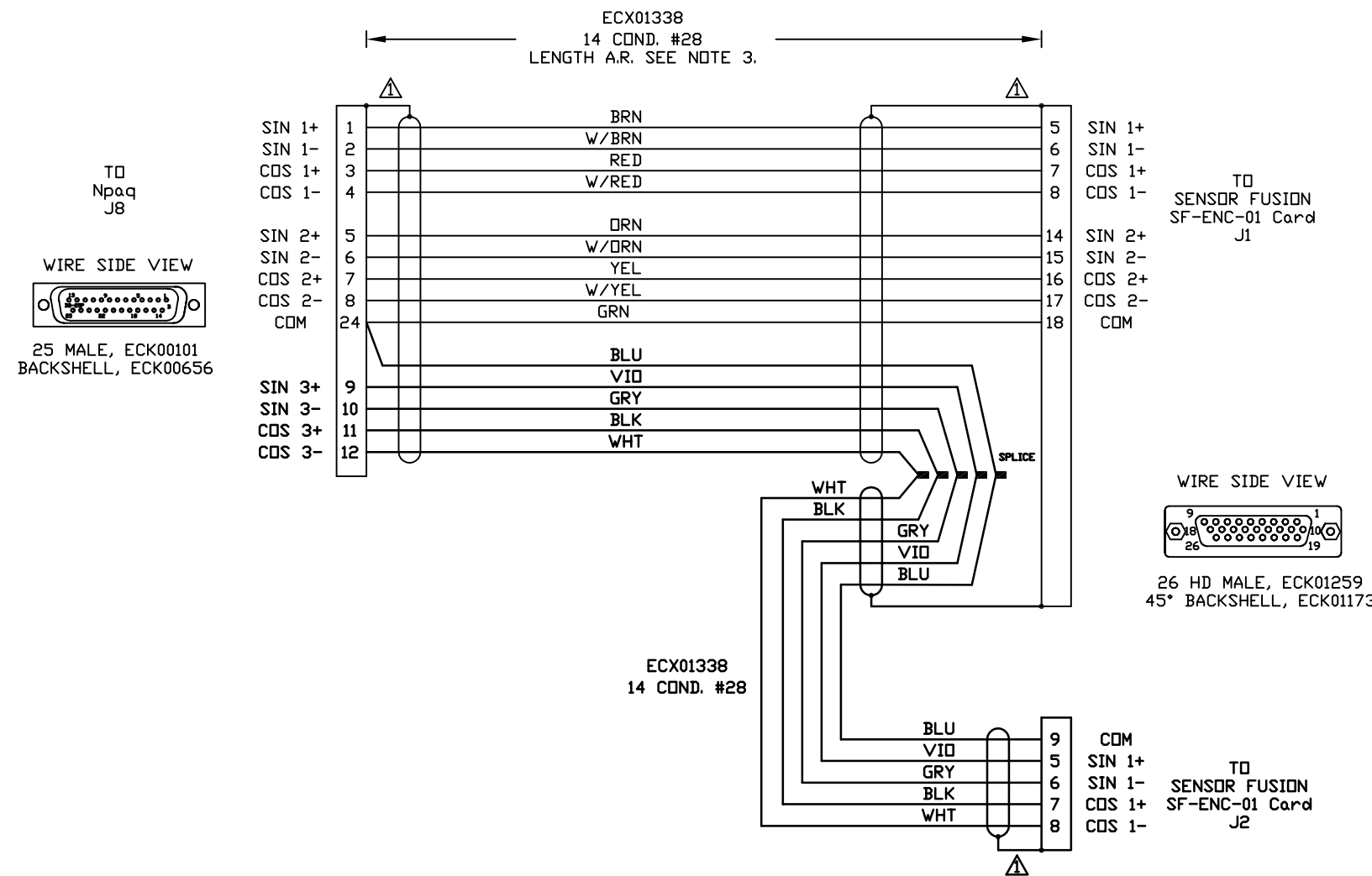


REVISIONS				
REV.	ZONE	DESCRIPTION	DATE	DRAWN



SHIELD TERMINATION

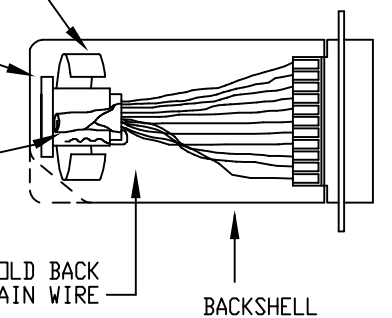
WRAP 6" COPPER FOIL (EIA281)
OVER GROMMET, SHIELD & DRAIN WIRE

USE APPROPRIATE GROMMET
SUPPLIED W/BACKSHELL

FOLD BACK FOIL SHIELD
SUCH THAT THE SILVER
PART IS OUTSIDE

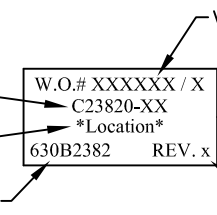
TWIST & FOLD BACK
SHIELD DRAIN WIRE

BACKSHELL



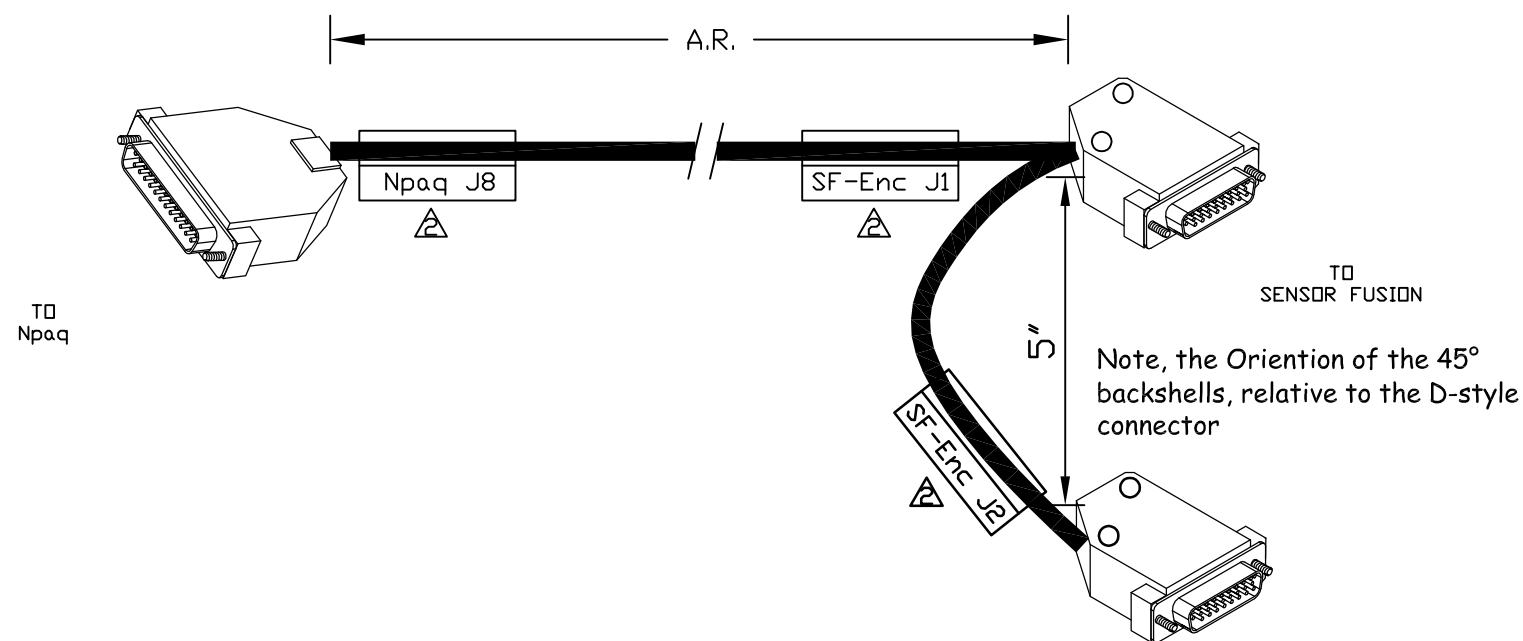
LABELS

CABLE NAME AND LENGTH
IN DECIMETERS (XX)
XX = 1 TO xx
SEE ASSY VIEW FOR
Location TEXT
DRAWING NUMBER



LENGTH

CAUTION, CABLE LENGTHS (XX) ARE IN DECIMETERS
EXAMPLE: C23820-3
3 = 3 DECIMETERS (300mm) = 1FT.



PROPRIETARY INFORMATION
THIS DRAWING IS THE PROPERTY
OF AEROTECH, INC. AND IS
SUBMITTED IN CONFIDENCE AND
SHALL NOT BE REPRODUCED NOR
COPIED NOR DISCLOSED TO OTHERS
UNDER PENALTY OF LAW.



AEROTECH, INC. 101 Zeta Drive
Pittsburgh, PA. 15238
(412)963-7470
www.aerotech.com

TOLERANCES ON		
FRACTIONS	DECIMALS	ANGLES
0 TO 6 ± 1/32	.XX ± .01	± 0-30'
OVER 6 ± 1/16	.XXX ± .005	

RMS FINISH EXCEPT AS NOTED

**SENSOR FUSION CABLE
TRIPLE ENCODER INPUT FROM NPAQ
SF FB-26HD-26HD-25D-MAX100DM**

DRAWN	JFM	6/5/2012
CHECKED	AGS	6/5/2012
APPD.	JFM	6/5/2012

PART CODE	SIZE	REV.
C23820	B	-
SCALE NTS	FILE NAME	SHEET
	630B238201.Dwg	1 OF 1

630B2382