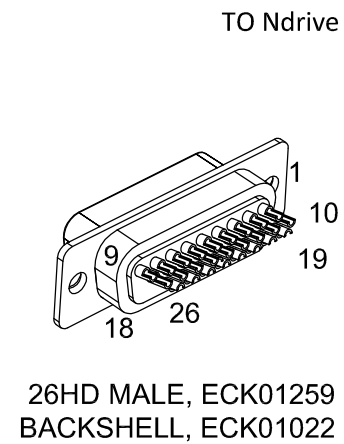
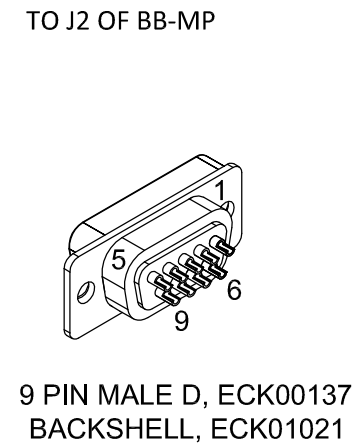
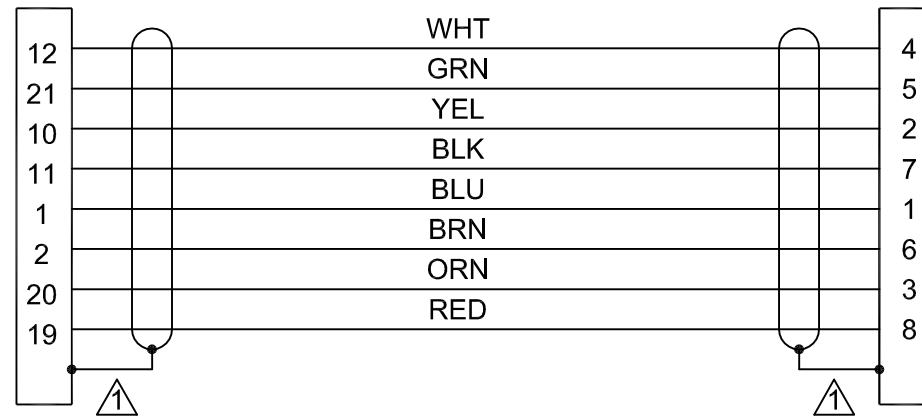


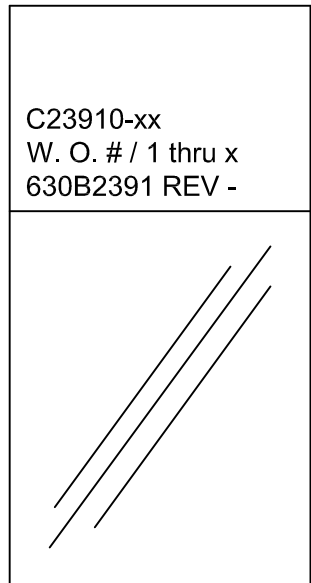
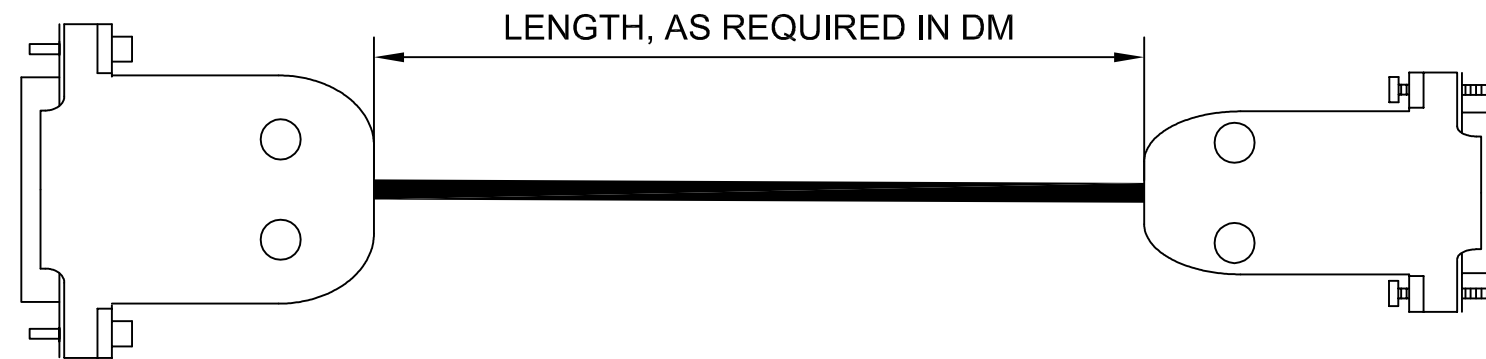
REVISIONS			
REV.	DESCRIPTION	DATE	DRAWN



+5V
COMMON
COSINE
COSINE
SINE
SINE
MARKER
MARKER



LABELS:
2 REQUIRED,
(1 AT EACH END)



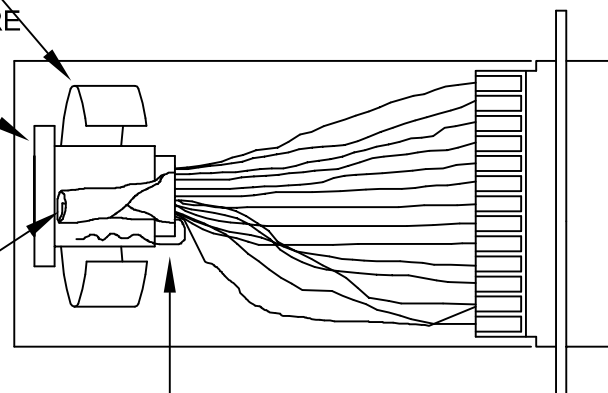
CONNECTOR SHIELDING

WRAP 6" COPPER FOIL, EIA00281
OVER GROMMET, SHIELD & DRAIN WIRE

GROMMET SUPPLIED
W/BACKSHELL

FOLD BACK FOIL SHIELD
SUCH THAT THE SILVER
PART IS OUTSIDE

FOLD BACK
SHIELD DRAIN WIRE



PROPRIETARY INFORMATION
THIS DRAWING IS THE PROPERTY
OF AEROTECH, INC. AND IS
SUBMITTED IN CONFIDENCE AND
SHALL NOT BE REPRODUCED NOR
COPIED NOR DISCLOSED TO OTHERS
UNDER PENALTY OF LAW.



AEROTECH, INC. 101 Zeta Drive
Pittsburgh, PA. 15238
(412)963-7470
www.aerotech.com

TOLERANCES ON		
FRACTIONS	DECIMALS	ANGLES
0 TO 6 ±1/32	.XX ±0.01	± 0-30'
OVER 6 ±1/16	.XXX ±0.005	

RMS FINISH EXCEPT AS NOTED

ENCODER FEEDBACK CABLE
ENC FB-26HD-9D-MAX61DM

DRAWN	1/4/2013	JFM	PART CODE	SIZE	630B2391	REV.
CHECKED	1/4/2013	JK	C23910	B		-
APPD.	1/4/2013	JFM	SCALE NTS	FILE NAME	630B2391.Dwg	SHEET 1 OF 1