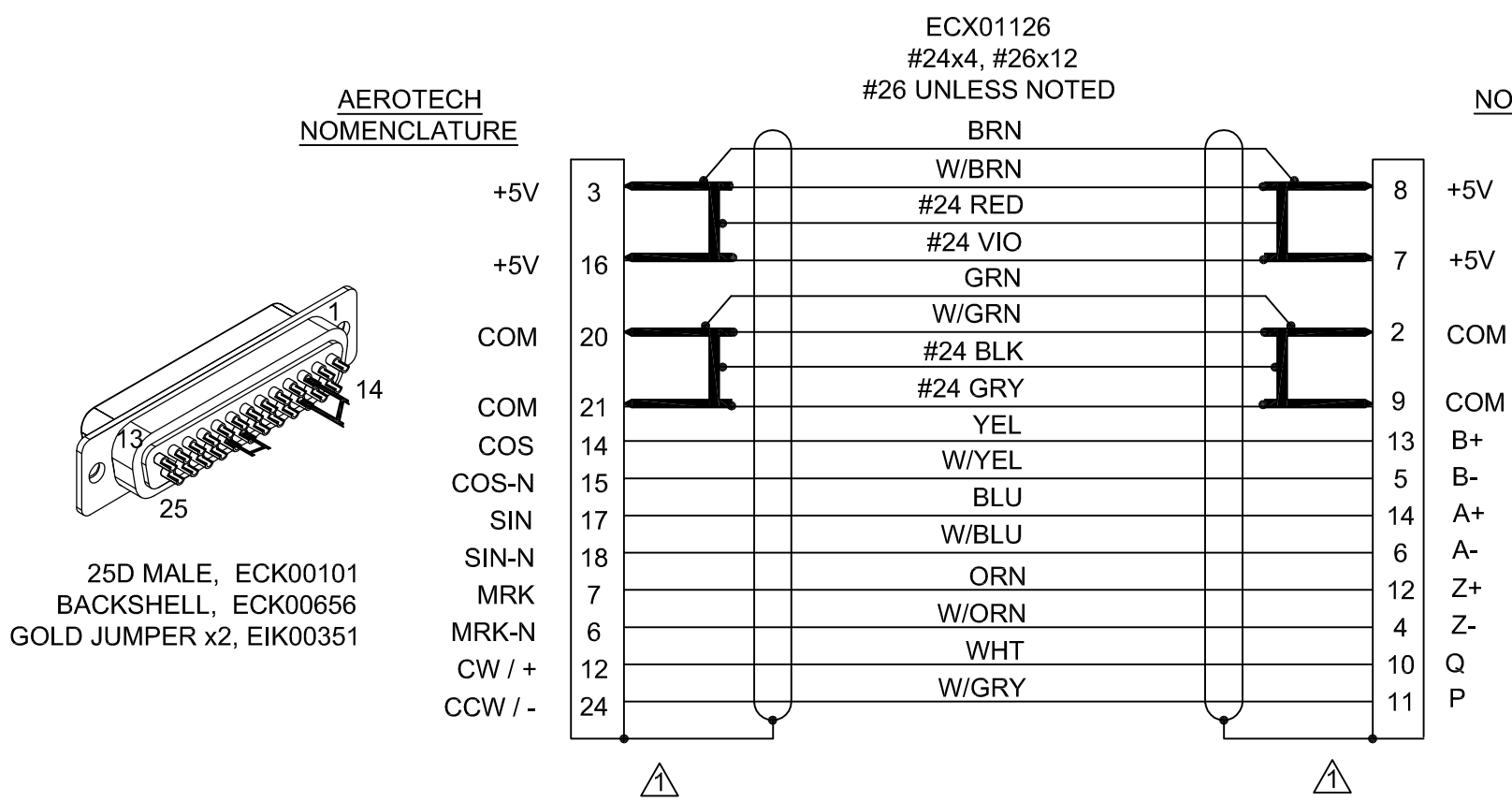
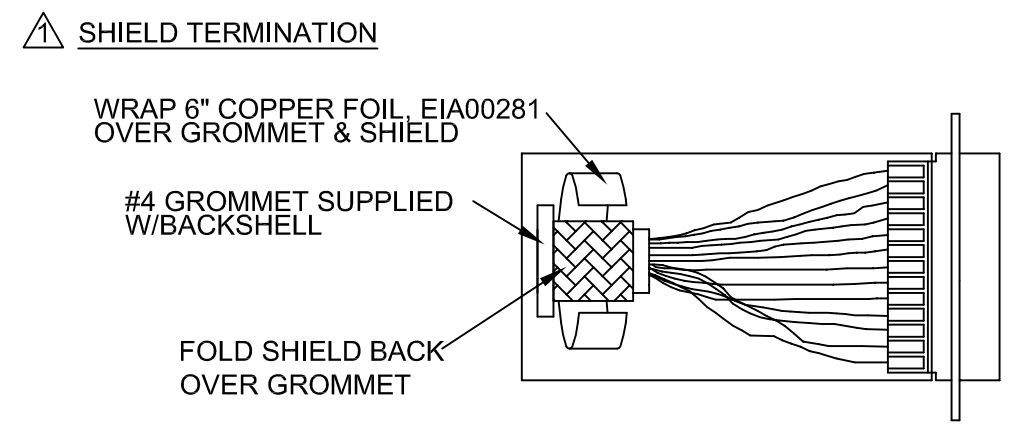
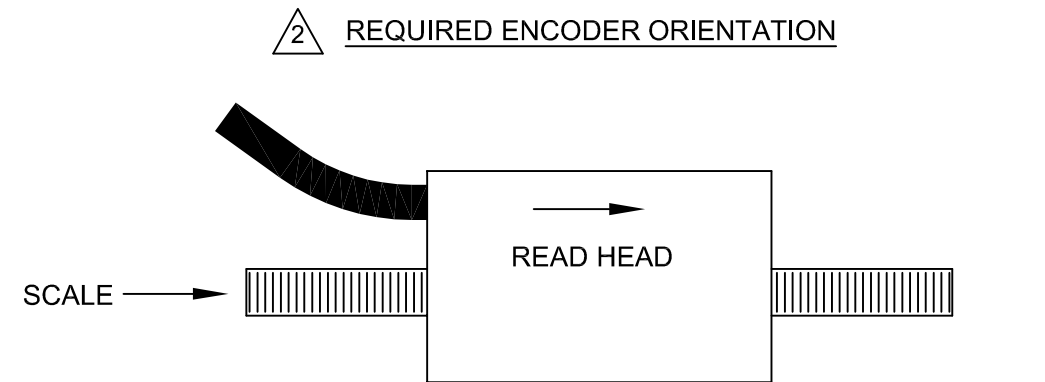
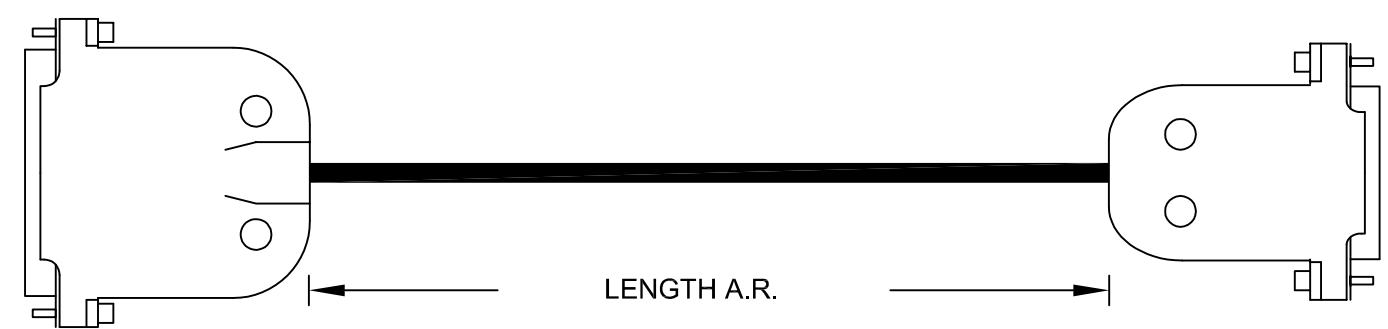


REVISIONS			
REV.	DESCRIPTION	DATE	DRAWN

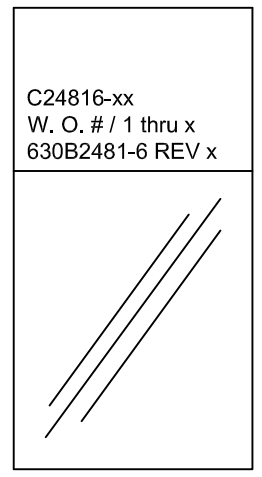


25D MALE, ECK00101
BACKSHELL, ECK00656
GOLD JUMPER x2, EIK00351

15D FEMALE, ECK00326
BACKSHELL, ECK01022
GOLD JUMPER x2, EIK00351



LABELS:
2 REQUIRED,
1 AT EACH END




PROPRIETARY INFORMATION
THIS DRAWING IS THE PROPERTY
OF AEROTECH, INC. AND IS
SUBMITTED IN CONFIDENCE AND
SHALL NOT BE REPRODUCED NOR
COPIED NOR DISCLOSED TO OTHERS
UNDER PENALTY OF LAW.

TOLERANCES ON		
FRACTIONS	DECIMALS	ANGLES
0 TO 6 ±1/32	.XX ±01	± 0-30'
OVER 6 ±1/16	.XXX ±005	

RMS FINISH	✓	EXCEPT AS NOTED
------------	---	-----------------

DRAWN	JFM	3/14/2017
CHECKED	JAB	3/14/2017
APPD.	JFM	3/14/2017



AEROTECH, INC. 101 Zeta Drive
Pittsburgh, PA. 15238
(412)963-7470
www.aerotech.com

RENISHAW INTERFACE CABLE:

ENC FB-25D-15D-TONIC-HF65-MAX119DM

PART CODE	SIZE	REV.
C24816	B	-
SCALE NTS	FILE NAME	SHEET
	630B2481-6.Dwg	1 OF 1